



TECHNICAL SHEET

PROFESSIONAL FAN - MODEL EUROSMOKE FAN

EUROSMOKE
MACHINE



PRESENTATION

MADE IN FRANCE

EUROSMOKE FAN is a powerful fan with DMX control option to produce great effects both indoors and outdoors in connection with EuroSmoke machines.

Indeed, in modern event management, the EuroSmoke fan is indispensable to generate a large number of wind effects, whether it is to simulate a refreshing breeze on the stage, to spread a uniform cloud of smoke in the crowd of spectators or on stage to reinforce the lighting effects, or to reinforce the effect of confetti cannons.

In addition, smoke sheets or other effects can even be oriented in the right direction with the EuroSmoke fan.

The stage effects of outdoor festivals & concerts that become more impressive and spectacular from year to year, require the use of powerful fans designed for professional and continuous implementation.

Thanks to its power and high reliability, the EuroSmoke fan is the high-performance wind machine particularly recommended for mobile implementation at spectacular events, stage shows and concerts.

It offers a speed adjustment from 1000 to 4500 rpm and DMX operation to trigger the air movement at the desired speed at the right time.

It also has various inputs to use it independently of a DMX system if necessary.

The robustly built EuroSmoke fan has metal guards on the front and back of the fan and a bracket designed to place the unit on the ground or attach it to a stage structure.

The base of the fan has both power input and output sockets, meaning that the power supply of several units can be linked together.

The compact design of this item makes it practical and easily transportable while being able to produce powerful wind effects suitable for use in theatres, concert tours and large-scale events.

See technical specifications in the table below



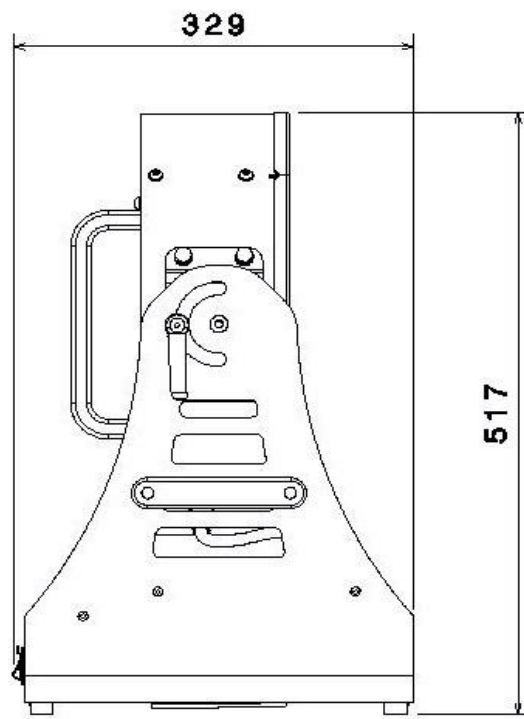
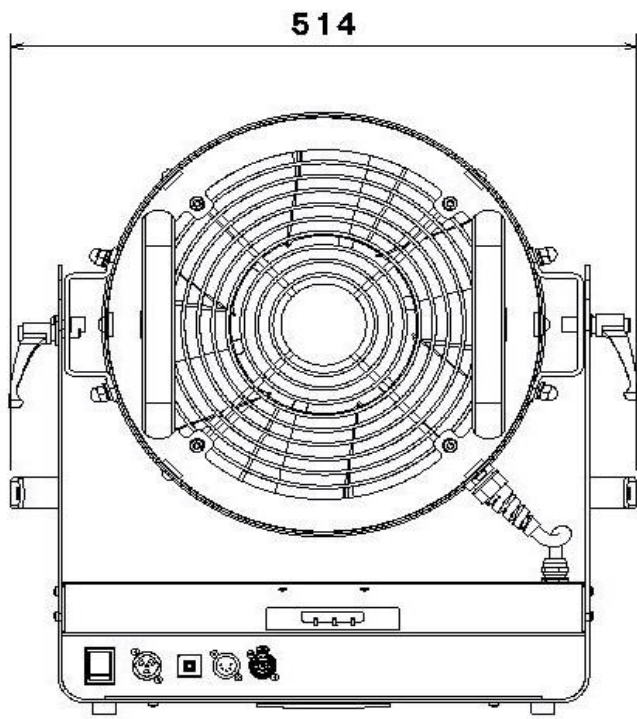
TECHNICAL INFORMATIONS

- **Control panel :**
The control panel with is 7 Segment screen allow the user to get an easy and intuitive manipulation.
- **Manual mode :**
Manual mode allows the user to trigger the fan without a remote control system.
- **DMX 512 mode :**
The EuroSmoke Fan can be controlled by DMX 512.
The connection is made via the 5-pin XLR plugs, the DMX address can be set via the control panel.
The address remains saved also, when the machine is disconnected from the mains.
- **Base adjusment :**
The base design allows for 180° rotation.
The air projection angle can be very easily selected and/or modified to suit the needs of the event.

TECHNICAL CARACTERISTIQUES	
Model	EuroSmoke Fan
Device type	Machine à Vent
Reference	150ESM1203
EAN Code	0745110041498
Voltage	230V – 50Hz
Power connector type	PowerCon True1
Absorbed power	800W
Protection Index (IP)	IP20
Fuse	10A
Operation	Display 7 segment – 3 boutons poussoir
Connection Interface	5 PIN XLR In/Out
Control mode	Manuel / DMX 512/ Wifi Dmx
Accessoriess – Option	Télécommande Wifi Dmx 2.4GHz / Wifi Dmx Transmetteur 2.4GHz
Maximum fan speed	4550 T/mn
Adjustable fan speed	Adjustable 1-100% / in 1% Steps
Throw distance	Up to 10 m
Dimension – Lenght	329,00 mm
Dimension – Width	514,00 mm
Dimension – Height	517,00 mm
Weight	20 Kg
Operating temperature	+5° to 45° C
Operating humidity	De 20% à 90% (non condensing)



MACHINE DIMENSIONS



ACCESSORIES

- EuroSmoke Wifi Dmx Remote.
- EuroSmoke Wifi Dmx Key
- EuroSmoke Wifi Dmx Transmitter





DECLARATION DE CONFORMITE CE
EC DECLARATION OF CONFORMITY

- Par la présente, nous déclarons en qualité de fabricant concepteur que la machine ci-après dénommée (y compris toutes les modifications) et faisant partie de la gamme EUROSMOKE MACHINES :

- *We hereby declare as manufacturer & composer That the machine named hereafter (inclusion all modifications) and forming part of the EUROSMOKE MACHINES range :*

Non de la machine - Name machine	EUROSMOKE FAN
Référence - Reference	150ESM1203
Voltage - Voltage	230Vac ~ 50Hz
Numéro de Série - Serial Number	Voir produit
Année de fabrication - Year of construction	Voir produit

- sont en conformité avec les spécifications et les exigences des directives suivantes :
- *are in accordance with the specifications and requirements of the following directives:*

- Directive 2006 / 95 / EC - Low Voltage Directive
- Directive 2014 / 30 / EC - Electromagnetic Compatibility Directive
- Directive 2011 / 65 / EC - Rohs Directive

Les normes harmonisées suivantes ont été appliquées en particulier :

The following harmonized standards were applied:

- Sécurité des machines - Equipement électrique des machines - Grilles de protection
- Safety of machines - Electrical equipment machines - Wire guards

EN-ISO 12100: 2012

EN - 349:1994+A1:2008

EN 60204/1

EN ISO 14120: 2016

EN ISO 11200: 2014

EN ISO 13857:2008



Chatenoy le Royal , le 06.10.2024

Chatenoy le Royal , the 06.10.2024

Christophe de Lora - Gérant - General Manager

SFAT - EFFETS SPECIAUX PROFESSIONNELS

6, rue du Parc

71880 - Chatenoy le Royal - France

T +33 (0)385 900660 - F: +33 (0)385 936 336 - www.sfat.fr


Christophe de LORA
PROFESSIONAL SPECIAL EFFECTS
SARL - capital de 45000 €
Té +33(0)3 85 900 660
Fax +33(0)3 85 936 336
RCS Chatenoy le Royal 890 212 330
www.sfat.fr contact@sfat.fr