



USER MANUAL EUROSMOKE FAN



EUROSMOKE
MACHINE

MADE IN FRANCE

The following standard markings and/or acronyms are used in this manual to attract your attention

Read the instructions	Danger Warning	Risks of injur	Danger - risk Fire	Danger of high electrical voltage

SUMMARY	PAGE
Product Information.....	3
Warnings / Recommendations.....	4 & 5
Technical informations.....	6
Machine Elements.....	7
Limit of use / Transport / Storage / Precautions for use.....	8
Assembly / Installation / Operation / Securing.....	9
Start-up / Power-up	10 & 11
Using the EUROSMOKE FAN.....	12
Manual Mode	12
DMX 512 mode.....	12
Wireless Control mode	13
Disassembly and Storage of the device	14
Maintenance / Disposal	15
Malfunction / Troubleshooting	16
How to succeed in your event, your performance	17
Guarantee	18
EC declaration of conformity	19

PRODUCT INFORMATION

We strongly recommend that you read this document carefully.

The EUROSMOKE FAN is a powerful fan with DMX control option to produce great effects both indoors and outdoors in connection with EuroSmoke machines.

Indeed, in modern event management, the EuroSmoke Fan is indispensable to generate a large number of wind effects, whether it is to simulate a refreshing breeze on the stage, to spread a uniform cloud of smoke in the crowd of spectators or on stage to reinforce the lighting effects, or to reinforce the effect of confetti cannons.

In addition, smoke sheets or other effects can even be oriented in the right direction with the EuroSmoke fan.

The stage effects of outdoor festivals & concerts that become more impressive and spectacular from year to year, require the use of powerful fans designed for professional and continuous implementation.

Thanks to its power and high reliability, the EuroSmoke Fan is the high-performance wind machine particularly recommended for mobile implementation at spectacular events, stage shows and concerts.

It offers a speed adjustment from 1000 to 4500 rpm and DMX operation to trigger the air movement at the desired speed at the right time.

It also has various inputs to use it independently of a DMX system if necessary.

The robustly built EuroSmoke fan has metal guards on the front and back of the fan and a bracket designed to place the unit on the ground or attach it to a stage structure.

The base of the fan has both power input and output sockets, meaning that the power supply of several units can be linked together.

The compact design of this item makes it practical and easily transportable whilst still being capable of producing powerful wind effects suitable for use in theatres, on concert tours and for large scale events..



Keep this manual with the machine or in a safe place.

Ensure that subsequent users can have access to this information by keeping this document with the machine or in a safe place.

WARNINGS / RECOMMENDATIONS**READ BEFORE USE**

The information contained in this document is important for the installation and operation of this device. Read the instructions carefully before installing it.



1) Only qualified persons with knowledge of the information contained in this document may install and use the device. Incorrect installation or incorrect use of the product can have serious consequences for people.



2) Use the machine only in dry locations. Do not use in the rain or in places with high humidity (mist, fog). Failure to comply may result in an electric shock which could result in accidental death.



3) Do not use the machine in a salty atmosphere. Salt can cause corrosion which then leads to electrical hazards. If the machine has been exposed to salt, please clean it carefully with a soft, damp cloth.



4) Install the machine on a stable surface with sufficient space around the machine (representing at least twice the surface area of the machine)



5) If you use these machine close sandy areas or In A place dusty. Make sure that no micro-particles (sand, dust, gravel, etc.) can be inserted into the machine. This can cause short circuits.



6) Make sure that the machine's vents are not blocked by any element. A blocked air intake can cause the machine to overheat and cause a malfunction or cause a fire.



7) Packaging materials (plastic, polystyrene, etc.) must not be left within the reach of children as they constitute potential sources of danger.



8) Never open or leave the machine unattended when it is connected to a power outlet.

WARNINGS / RECOMMENDATIONS - CONTINUED



The EUROSMOKE FAN machine is a device developed for the production of large volumes of wind to distribute the smoke as well as possible.

Any use other than that described in this document excludes any liability of your supplier.

The EUROSMOKE FAN fan is not a toy!

The technician who controls the fan must be attentive to the movements of people located in the intervention area, in order to be able to intervene quickly if necessary.

It is obviously necessary for the public to have a clear view of the area in which they are moving.

It is imperative to use upstream of the machine, a power supply protected by a 30 Ma differential circuit breaker and an emergency stop button. Otherwise, the user is liable.

We assume that you, your employees and other people who will use the machine are and are familiar with how the machine should be used.

This appliance can be used by persons with reduced physical, sensory or mental capabilities or lack of experience and knowledge if they have been given supervision or instruction concerning use of the appliance in a safe way and if the hazards involved have been understood.

Children shall not play with the appliance.

Cleaning and user maintenance shall not be carried out by children without supervision.

SFAT Industrie excludes all liability for dangerous situations, accidents and damage resulting from:

- Failure to follow the warnings or advice given in this documentation.
- Use for purposes other than those indicated in this documentation or in circumstances other than those indicated in this documentation.
- Modifications made to the appliance. This also includes the use of spare parts other than original ones.
- Insufficient maintenance.
- Unauthorised removal of caps and/or safety guarantees.
- Inability to use the machine.

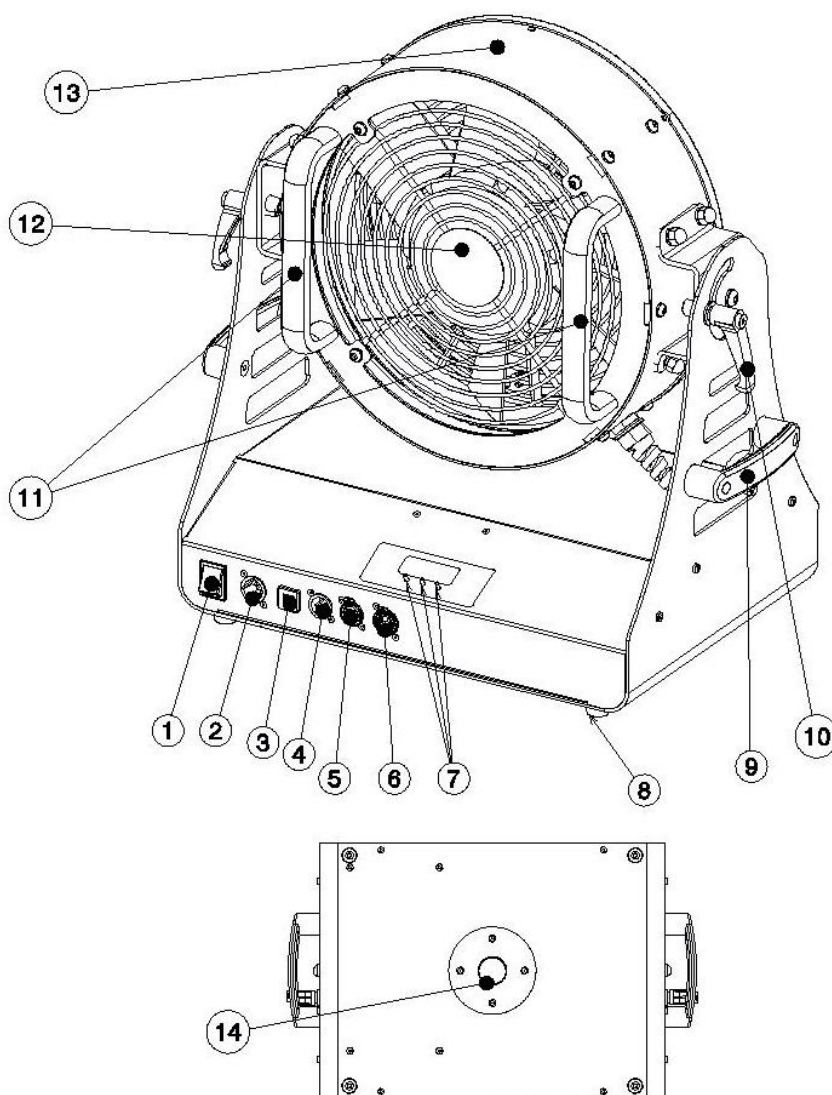
TECHNICAL INFORMATIONS



TECHNICAL CHARACTERISTICS

Model	EuroSmoke Fan
Product type	Wind Machine
Reference	150ESM1203
EAN Code	0745110041498
Voltage	230V ~ 50Hz
Power connector type	PowerCon True1
Absorbed power	800W
Protection Index (IP)	IP20
Fuse	10A
Operation	7 segment display – 3 push buttons
Interface	5 PIN XLR In/Out
Control mode	Manual / DMX 512/ Wifi Dmx
Accessories – Option	Remote Wifi Dmx 2.4GHz / Wifi Dmx Transmiteur 2.4GHz
Maximum rotation speed	4550 rpm
Fan speed	Adjustable 1to100% / in 1% increments
Air projection distance:	Up to 10 m
Dimension – Length	329,00 mm
Dimension – Width	514,00 mm
Dimension – Height	517,00 mm
Weight	20 Kg
Operating temperature	+5° to 45° C
Operation in humid atmosphere	De 20% à 90% (Condensation-free)

MACHINE ELEMENTS



REP	DESCRIPTION
1	INTERRUPTEUR ON / OFF
2	ALIMENTATION ELECTRIQUE CONNECTEUR POWERCON TRUE
3	FUSIBLE REARMABLE 10 A
4	ENTREE DMX (IN)
5	SORTIE DMX (OUT)
6	ENTREE DMX WIRELESS (IN)
7	PANNEAU DE CONTRÔLE
8	PIEDS ANTI VIBRATION
9	POIGNEES DE TRANSPORT
10	POIGNEES DEBROYABLES (REGLAGE ANGLE DU VENTILATEUR)
11	POIGNEES D'ORIENTATIONS DE LA VIROLE DU VENTILATEUR
12	GRILLE DE PROTECTION (AVANT & ARRIERE)
13	VIROLE DU VENTILATEUR
14	EMBASE POUR SUPPORT TYPE TRIPOD

LIMITES D'UTILISATION

This machine is intended for professional use only and by qualified personnel.

The machine must be installed in an environment:

- whose humidity level does not exceed 70 / 75%,
- reasonably free from dust, corrosive gases, high concentrations of organic gases.

If it starts to rain during your event, stop the machine and disconnect the power supply.

This machine is not made or intended for permanent use

TRANSPORT

To ensure safe transport, place the fan in the low position and tighten the disengageable handles until they lock

We recommend using a transport case such as a Flight Case.

Warning:

If the total weight of the machine and the transport case is greater than 15 kg.

We recommend that you move the machine with 2 people to prevent back problems and/or pain.

For moving, use a maneuvering element such as a pallet truck, rolling platform, transport trolley

STORAGE

The machine must be stored in a dry and well-ventilated place to prevent any risk of corrosion.

The temperature during storage must be between 5° and 30°

Avoid rapid temperature changes. They can damage electrical components

Store in an area protected from UV rays to avoid aging of hoses and electrical cables.

ASSEMBLY – INSTALLATION – OPERATION – SECURITY

Warning: reminder of precautions for use:

A) Check the machine's screws (especially after transport)

B) If the machine has been stored at a temperature close to 0°, check the condition of the components such as hoses, power supply box, power cable, connectors, etc. because frost can cause blockages and malfunctions.

DETAILS ABOUT THE EUROSMOKE FAN

The EUROSMOKE FAN fan is composed of 2 main body elements:

- The base used as a stand and power supply unit and the central part of the body of the machine containing the fan

This configuration allows you to change the inclination of the fan according to your wishes.

The amplitude of the rotation is 180 °

To do this, simply loosen the disengageable handles then choose the angle best suited to your needs.

Finally, do not forget to tighten the disengageable handles up to the blocking point.



ASSEMBLY – INSTALLATION – SECURING

The propeller has been precisely balanced in order to reduce vibrations due to operation as much as possible.

Despite this, it may vibrate when in use and cause a change in position and/or a fall

Once placed, it is therefore strongly recommended to secure its position

(Reminder - See paragraph 4 - Warnings / Recommendations - Page 5)

To do this, simply use safety bracelets with a clamp or safety slings for heavy loads.

Provide at least 2 safety attachment points.

Once the device is placed and secured, carefully check the tightening of the disengageable handles to help it stay in position.



PREPARING FOR START UP

The preparation and commissioning of the machine is simple.

To start the machine, it must be supplied with a 230 Vac 50/60 Hz electrical power supply



Use only the cable supplied with the machine

Before switching on, check that the machine is supplied with a power supply, equipped with a differential switch type protection with a threshold of 0.03 A, an emergency stop button and properly grounded.

Test the fuse (located on the power supply unit). Corrosion can cause the components to seize. Make sure it is working.

To switch on the base, press the rocker switch (On/off function) located on the power supply unit.

Check that the resettable fuse is properly engaged.

Otherwise, the fan will not start.

When starting up, ensure that the fan air intake is clear.

Check the area behind the machine

Remove items that could be sucked into the machine or block the fan air intake.

A safety distance of at least 1 meter is recommended

(Reminder - See paragraph 8 - Warnings / Recommendations - Page 5)

During use, the machine must remain under supervision to ensure safe operation



HOW TO USE THE EUROSMOKE FAN

To start the fan, it must be powered by a 230 Vac 50 /60 Hz power supply.

Use only the cables supplied with the machine

Before starting the machine, make sure that the machine is powered by an electrical power source, equipped with a differential type protection switch with a threshold of 0.03 A, an emergency stop button and a proper earthing system.

Check the handles and the electrical connection again before starting.

Test the fuse.



Switch ON/OFF

Resettable Fuse 10 A

To turn on the machine, press the switch (On/Off) located on the power supply unit.

Check that the resettable fuse is activated.

Otherwise, the fan will not start. Before starting, make sure that the air inlet of the fan is free. Check the area behind the EUROSMOKE Fan.

Remove items that could be sucked into the machine or block the air inlet of the fan.

A safety distance of at least 1 to 2 meters is recommended

To use the EUROSMOKE FAN

Connect the power cable and turn on the power switch..



The 7-segment LED display in the center of the control panel will instantly light up.



CONTROL MODE

- Explanation of the EUROSMOKE FAN fan usage modes:
- Manual control of the machine.
- Control by DMX system.
- Control by DMX WIFI system..

MANUAL MODE - EUROSMOKE FAN

Trigger from the device.

To switch the device to manual mode, press the "Enter" button once and the information M appears on the screen.

To run the fan select the speed from 1 to 100% using the + & - buttons on the control panel.

To operate the fan at its lowest speed, it will be necessary to start it by passing the 4% mark, then lower the speed to 1, 2 or 3%.

If the fan experiences a power outage, it will restart at the speed before the outage.



DMX MODE - EUROSMOKE FAN

1) Control via DMX 512 with addressing:

First, connect the fan to a DMX table.

To do this, use the 5-pin XLR (IN) provided for this purpose.

It should be noted that the fan automatically occupies 1 dmX channel of your table.

Setting the starting DMX address :

Set the desired DMX address using the "+" and "-" keys next to the "Enter" button. The fan's DMX address is saved automatically.

Specifications: Use 1 potentiometers on the dmX table to control the fan triggering.



If the fan experiences a power failure, the DMX address will remain saved.

WIFI DMX MODE - EUROSMOKE FAN

To operate the fan in WIFI DMX,
Connect the EUROSMOKE 2.4 GHz WIFI DMX key,
Then turn on your device.

When it is turned on, the transmitter box or the Wifi DMX remote control (EUROSMOKE REMOTE) will be able to automatically pair the fan.

As soon as the fan is turned on, Select a DMX address, using the DMX menu of the device.

Your Fan is ready to operate in Wifi DMX



Safety recommendations - Reminder

Before switching on, check that the machine is properly supplied by a power source equipped with a differential switch type protection with a threshold of 0.03 A, an emergency stop button and a grounding carried out according to the rules of the art.

Never leave the device unattended.

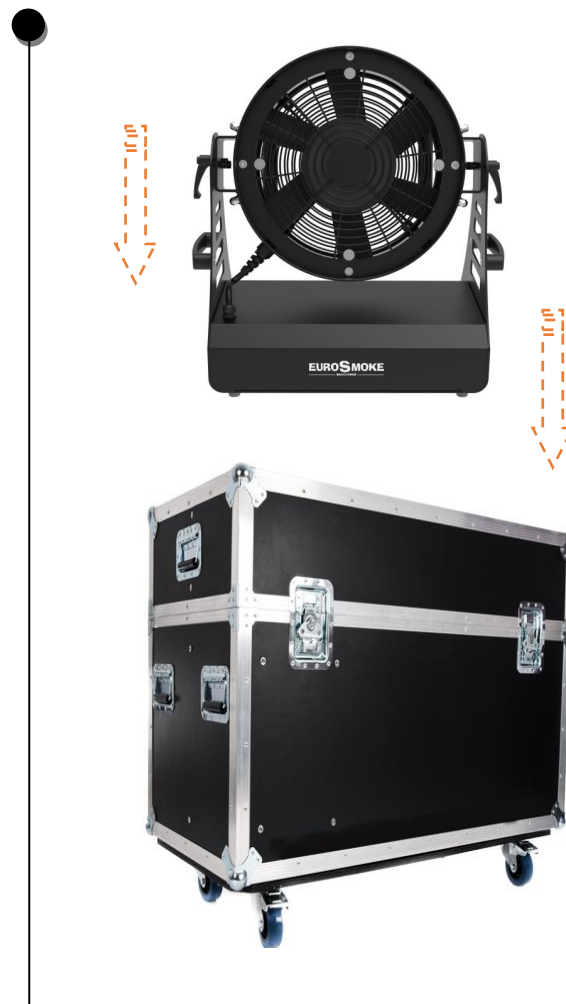
Make sure that no one is in the immediate vicinity of the device when it is switched on.
During use, keep a safe distance from the public.

Place the device so that the mains power cable can reach the box or the power supply control without forcing the connections.

Tip: Never let the power cable cross an open space.
Do not leave the power cable near or on a hot surface that could damage it.
For safety reasons, do not wet the power cable and electrical components.

DEVICE DISASSEMBLY AND STORAGE

- To disassemble the machine, it is recommended to follow the following order.
- Turn off the machine.
- Disconnect the power supply and dmx cables
- Lower the upper part and lift the fan using the carrying handles provided for this purpose.
- Store the device in its storage location



MAINTENANCE - DISPOSAL

MAINTENANCE

The machine requires regular maintenance for safe operation. Check the machine carefully before each use to prevent damage. (Material, personal injury, etc.)

To clean the machine, use a cotton cloth and a little water.

Do not use chemicals or flammable liquids.

Always unplug the machine before cleaning.

Check all electrical connections regularly (power cord, connectors)

Inspect the condition of the machine (damage after transportation) and before use.

If the openings on the sides of the body are blocked by dust or other,
Remove the impurities.

The machine is equipped with a thermal circuit breaker (overload).

Test the circuit breaker before each use to ensure that it is not blocked by corrosion or damaged.

Do not open the machine yourself. Technical maintenance is authorized only by qualified service technicians.

Maintenance period:

- Before and after each use of the machine
- Complete inspection every year by a service technician
- Electrical inspection after 3 months of use (switch, circuit breaker, cable, connectors)

Remember to periodically check the tightening of the screws.

If the EUROSMOKE FAN machine does not work for any reason, then please contact our services.

ELIMINATION - DISPOSAL

The machine does not contain batteries or chemicals that must be removed before recycling.

The symbol on the device or on the accompanying documentation indicates that this product cannot under any circumstances be treated as household waste.

It must therefore be handed over to a waste collection center responsible for recycling electrical and electronic equipment.

For disposal, follow the waste disposal standards rules in the country of installation.

For further details on the treatment, recovery and recycling of this appliance, please contact the responsible office in your municipality, the waste collection company or directly from your retailer



MALFUNCTION - TROUBLESHOOTING

The machine does not switch on when pressing the start button:

- Check the electrical connection.
- Check if the power cable is not too tight, and force on the connections.
- Check the position of the power supply plug. Check if it is properly engaged.
- Check if the power cable is not wet.
- Check that the On/off switches are properly engaged.
- Check if the resettable fuse is activated by pressing it.
- If the machine still does not start, take the machine to a service technician.

The thermal circuit breaker trips after a certain time:

- Check if the device is used in an environment that is too hot.
(maximum outdoor temperature is 45°C).

If you use the machine in a hot and sunny place, protect the machine from direct sunlight.

Cool the machine by putting it in a cold shaded storage .

- The thermal circuit breaker trips due to overheating, remove the external heat source and ensure sufficient fresh air supply, after 30 minutes the device should turn back on.
- If this continues to happen, please take your machine to a service technician for checking.

HOW TO SUCCEED YOUR EVENT

1) Use the machine only when it has been checked and tested.

2) During a service, provide constant supervision.

Designate a person for this purpose in order to constantly monitor the safety of the participants.

3) Do not allow children, third parties or animals to stand near the device during operation.

4) Never grab and/or move the device when it is in operation.

5) Never remove the safety devices from the device and keep them in good condition.

6) Before switching on, check that the EUROSMOKE Fan is powered via a power supply box or panel equipped with a differential switch type protection with a threshold of 0.03 A, an emergency stop button.

Check that the grounding is properly carried out according to the rules of the art.

7) The use of smoke generators is the most harmless method to reproduce an artificial fog, however we cannot guarantee the safety when using poor quality smoke liquids.

Therefore we recommend that people with health problems, respiratory irritation, or a tendency to allergies avoid any contact with artificial smoke.

GUARANTEE

The "manufacturer" warranty for the machine is limited to 1 year and begin on the date of purchase by the user (invoice date).

Extended: the guarantee consists of free replacement of parts having manufacturing defects and/or abnormal malfunctions recognized by our services (with the exception of wearing parts).

Warranty conditions: In the event of a problem occurring with the machine during the warranty period, our after-sales service will tell you what to do to help you to solve your issue, and will advise you on the nearest distributor if necessary.

You can also send your machine to our after-sales service, attaching your purchase invoice and a report describing the problem observed and requesting the activation of the warranty. A technical diagnosis will be carried out, the conclusions of which will be sent to you

Exclusions:

The guarantee cannot be granted for damage resulting from:

- abnormal use, transport or handling error, or maintenance.
- following the use of non-original parts or accessories,
- following interventions carried out by unqualified personnel
- if the device is used for applications not indicated in this document.

We assume that you, your employees and others who will use the machine are familiar with how the machine is must to be used. If in doubt, do not hesitate to contact us.

This includes the correct use, maintenance of the machine as described in this manual.

SFAT company excludes all liability in the event of a service or event for dangerous situations, accidents, harm and damage which are the result of:


- Failure to follow the warnings or advice given in this documentation.
- Use for other purposes or in other circumstances than those stated in this documentation.
- Changes made to the device. This also includes the use of spare parts other than original ones.
- Insufficient maintenance.
- Inability to operate the machine.

Any other use than that described in this document excludes all liability on the part of your supplier.

DECLARATION DE CONFORMITE CE EC DECLARATION OF CONFORMITY

- Par la présente, nous déclarons en qualité de fabricant concepteur que la machine ci-après dénommée (y compris toutes les modifications) et faisant partie de la gamme EUROSMOKE MACHINE :

- *We hereby declare as manufacturer & composer that the machine named hereafter (including all modifications) and forming part of the EUROSMOKE MACHINE range :*

Non de la machine - Name machine	EUROSMOKE FAN
Référence - Reference	150ESM1203
Voltage - Voltage	230Vac  50Hz
Numéro de Série - Serial Number	Voir produit
Année de fabrication - Year of construction	Voir produit

- sont en conformité avec les spécifications et les exigences des directives suivantes :

- *are in accordance with the specifications and requirements of the following directives:*

- Directive 2006 / 95 / EC - Low Voltage Directive
- Directive 2014 / 30 / EC - Electromagnetic Compatibility Directive
- Directive 2011 / 65 / EC - Rohs Directive

Les normes harmonisées suivantes ont été appliquées en particulier :

The following harmonized standards were applied:

EN 60335-1: 2012 + A11: 2014 + A13: 2017 + A1: 2019 + A14: 2019 + A2: 2019 + A15: 2021
 EN 55014-1 (2021)
 CISPR 14 -1 (2020)
 EN 55014-2 (2021)
 CISPR 14-2 (2020)
 EN 61000-3-2 (2019+A1/2021)
 EN 61000-3-3 (2013+A1/2019)
 EN IEC 61000-4-2 (Ed2 2008)
 EN IEC 61000-4-3 (2006+A1/2008+A22010)
 EN IEC 61000-4-6 (2014)
 EN IEC 61000-4-6 (2013)
 EN IEC 61000-4-11 (2020)



Chatenoy le Royal , le 06.10.2024

Chatenoy le Royal , the 06.10.2024

Christophe de Lora - Gérant - General Manager

SFAT - EFFETS SPECIAUX PROFESSIONNELS

6, rue du Parc

71880 - Chatenoy le Royal - France

T +33 (0)385 900660 - F: +33 (0)385 936 336 - www.sfat.fr


 Christophe de LORA
 PROFESSIONAL SPECIAL EFFECTS
 SARL au capital de 45000 €
 Tel +33(0)385 900660
 Fax +33(0)385 936 336
 RCS Chatenoy B890 212 330
www.sfat.fr | contact@sfat.fr

