



USER MANUAL SMOKE MACHINE - EUROSMOKE 2000



EUROSMOKE
MACHINE

MADE IN FRANCE

The following standard markings and/or acronyms are used in this manual to attract your attention

Read the instructions	Danger Warning	Risks of injury	Danger - risk Fire	Danger of high electrical voltage

SUMMARY	PAGE
Product Information.....	3
Warnings / Recommendations.....	4 & 5
Technical informations.....	6
Machine Elements.....	7
Limit of use / Transport / Storage / Precautions for use.....	8
Assembly / Installation / Operation / Securing.....	9
Start-up / Power-up	10 & 11
Using the EUROSMOKE 3000 machine.....	12
Manual Mode	13
DMX 512 mode.....	14
Wireless Control mode	15
Timer Mode	15
Stand Alone mode	16
Disassembly and Storage of the device	16
Maintenance / Disposal	17
Malfunction / Troubleshooting	18
How to succeed in your event, your performance	19
Guarantee	20
EC declaration of conformity	21

PRODUCT INFORMATION

We strongly recommend that you read this document carefully.

The EUROSMOKE 3000W is a machine that creates an artificial smoke effect.

It is a set which has been developed for the production and projection of large volumes of artificial smoke from a liquid formulation based on glycols and osmosis water.

EUROSMOKE Generators are part of a new range of professional smoke machines intended to produce an artificial smoke of great finesse which enhances all types of lighting effects.

The EUROSMOKE generators technology offers numerous possibilities of use and allows easy maintenance of the main components which remain entirely removable.

Their design and choice of components have been particularly studied to guarantee longevity. unusual use.

The display screen and its navigation wheel make handling the machine as well as its use very intuitive.

In addition to direct control, the machine can also be controlled (depending on option) via Dmx modes, Wireless, Wifi dmx.

The various control options allow for many uses in a wide variety of scenarios.

The EUROSMOKE 3000 model is perfect for volumes such as live concerts, large volume theaters, fire safety exercises, etc. To get best result with EUROSMOKE Generators and to help maintain the warranty, only use the specific liquids from the new EuroSmoke Pro range that we produce



Keep this manual with the machine or in a safe place.

Ensure that subsequent users can have access to this information by keeping this document with the machine or in a safe place.

A WARNINGS / RECOMMENDATIONS



READ BEFORE USE

The information contained in this document is important for the installation and operation of this device. Read the instructions carefully before installing it.



1) Only qualified persons with knowledge of the information contained in this document may install and use the device. Incorrect installation or incorrect use of the product can have serious consequences for people.



2) Use the machine only in dry locations. Do not use in the rain or in places with high humidity (mist, fog). Failure to comply may result in an electric shock which could result in accidental death.



3) Do not use the machine in a salty atmosphere. Salt can cause corrosion which then leads to electrical hazards. If the machine has been exposed to salt, please clean it carefully with a soft, damp cloth.



4) Install the machine on a stable surface with sufficient space around the machine (representing at least twice the surface area of the machine)



5) If YOU use there machine close sandy areas or In A place dusty. Make sure that no micro-particles (sand, dust, gravel, etc.) can be inserted into the machine. This can cause short circuits.



6) Make sure that the machine's vents are not blocked by any element. A blocked air intake can cause the machine to overheat and cause a malfunction or cause a fire.



7) Packaging materials (plastic, polystyrene, etc.) must not be left within the reach of children as they constitute potential sources of danger.



8) Never open or leave the machine unattended when it is connected to a power outlet.

A WARNINGS / RECOMMENDATIONS - CONTINUED



The EUROSMOKE 3000 machine is a device developed for the production of artificial smoke. Any other use than that described in this document excludes any liability of your supplier .

SMOKE PRODUCTION - RECOMMENDATIONS

The EUROSMOKE 3000 Smoke Generator is not a toy!

High temperature steam is projected from the nozzle, it is also possible that droplets of smoke liquid escape from the machine during operation, this can cause burns.

It is therefore necessary to never point your device directly towards a public person and to keep a minimum safety distance of 3m, front of the machine.

Never touch the nozzle while your device is operating.

It is imperative to keep a distance of at least 60 cm from flammable and combustible objects sensitive to heat.

Do not swallow the liquid, keep it out of reach of children, Consult a doctor if you accidentally swallow liquid.

In case of contact with eyes, rinse with plenty of clean water and consult a doctor.

The technician who controls the generator must be attentive to the evolution of people located in the service area, in order to be able to act quickly if necessary.

It is obviously necessary that the public can have a clear vision of the area in which they are moving.

It is imperative to use, upstream of the machine, a power supply protected by a 30 Ma differential circuit breaker and an emergency stop button. Failing this, the user assumes responsibility.

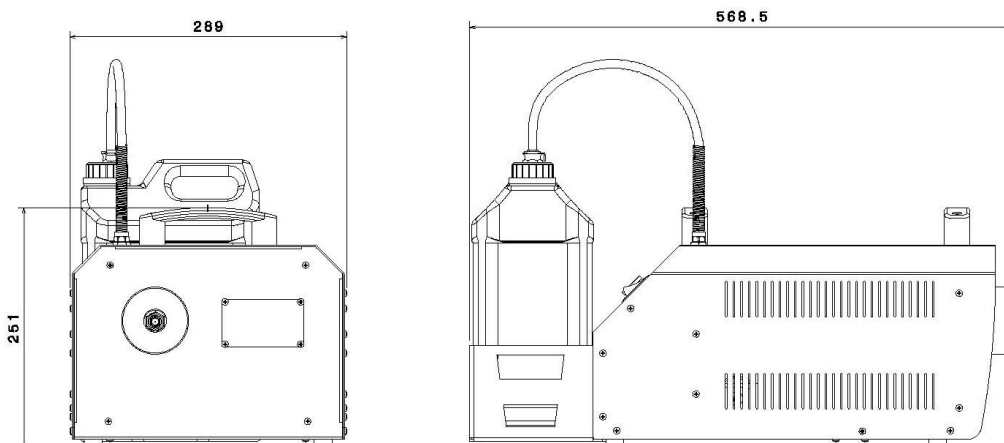
This device may be used by children aged at least 8 years and by persons with reduced physical, sensory or mental capabilities or lacking experience or knowledge, if they are properly supervised or instructed in the safe use of this equipment, and if the risks involved have been apprehended. Children should not play with the device. Cleaning and user maintenance should not be carried out by children without supervision.

We assume that you, your employees and others who will use the machine are and are familiar with how the machine is to be used.

SFAT Industrie excludes all liability for dangerous situations, accidents and damages which are the result of:

- Failure to follow the warnings or advice given in this documentation.
- Use for other purposes or in other circumstances than those stated in this documentation.
- Changes made to the device. This also includes the use of spare parts other than original ones.
- Insufficient maintenance.
- Unauthorized removal of caps and/or safety guarantees.
- Inability to operate the machine.

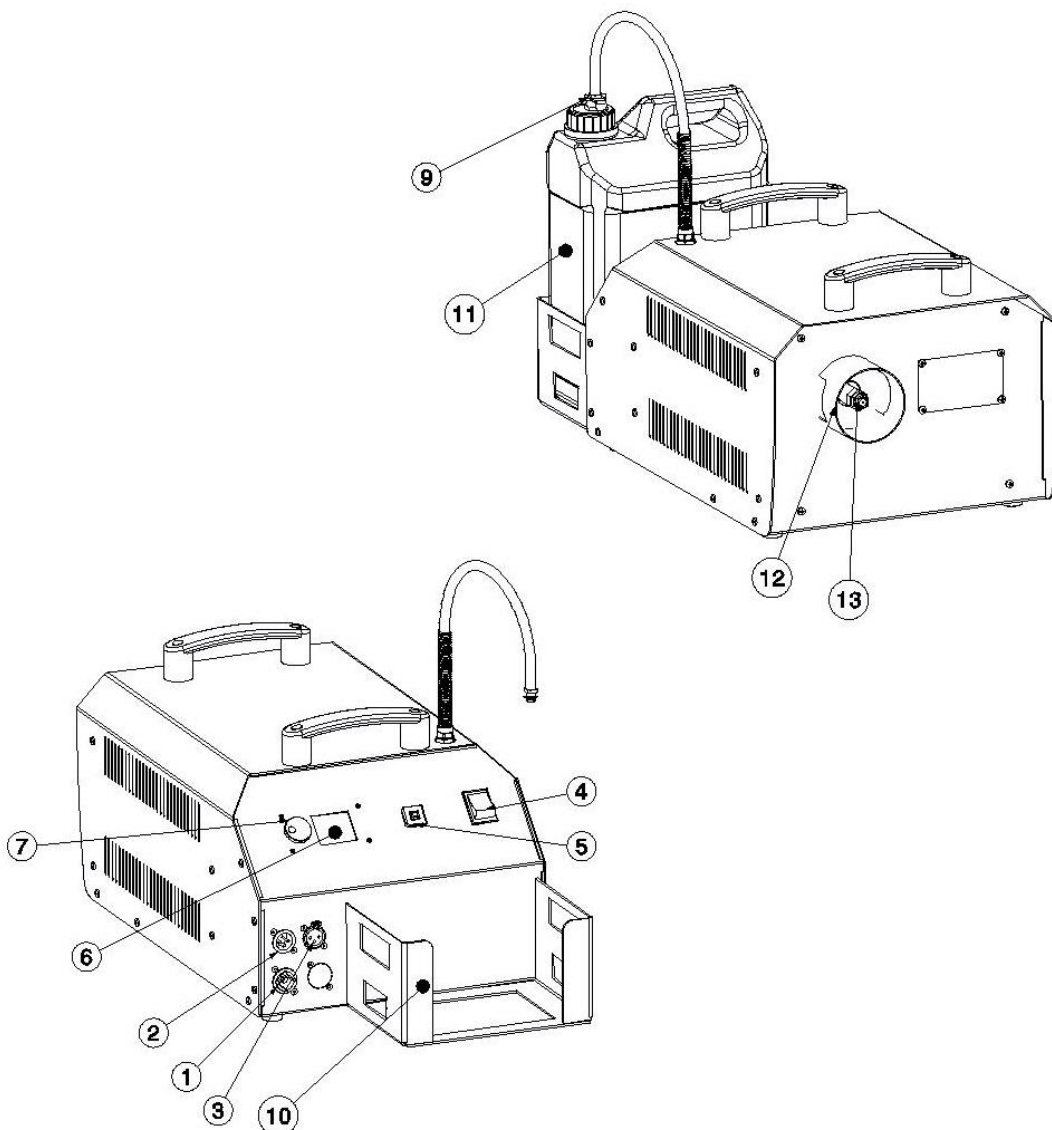
TECHNICAL INFORMATIONS



TECHNICAL CHARACTERISTICS

Model	EuroSmoke 3000
Reference	150ESM1202
EAN Code	0745110041221
Voltage	230V ~ 50Hz
Power connector type	PowerCon True 1
Absorbed power	3070W
Heating time	About 8 min
Protection Index (IP)	IP20
Fuse	16A Automatic Fuse
Temperature protection of the heater block	Capillary Thermostat
Pump temperature protection	Thermal Fuse
Temperature control system	Thermocouple / Microprocessor
Control panel	LCD screen - navigation wheel
Connection interface	5 Pin XLR In/Out
Control mode	Manual / Remote control (M/F) / DMX 512/ Timer
Optional accessories	Wired Remote Control / Wifi DMX Remote Control
Flow control	Adjustable from 1% to 100% in 1% increments
Throw distance	Up to 15 / 16 m
Liquid consumption at maximum flow	≥ 250 ml with 100%
Liquid consumption in continuous flow	≥ 60 ml with 30%
Overall length of the machine	568,50mm
Overall width of the machine	289,00mm
Overall height of the machine	251,00mm / 406 mm with tank
Tank Capacity	5L
Weight of the device empty	14 kg
Operating temperatures	+ 5°C at 45°C

MACHINE ELEMENTS



Rep	Description	Rep	Description
1	Power connector (Powercon True 1)	10	Tank support
2	DMX IN	11	Tank
3	DMX OUT	12	Protection tube against nozzle contact
4	Power rocker switch	13	Fog machine output nozzle
5	resettable fuse		
6	Control panel screen		
7	Adjustment wheel		
8	Carrying handle		
9	Fluid supply hose with quick coupler		

LIMITS OF USE

This machine is only intended for professional use and by qualified personnel.

The machine must be installed in an environment:

- where the humidity level does not exceed 70/75% ,
- reasonably free from dust, corrosive gases, high concentrations of organic gases.

If it starts to rain during your event, stop the machine and disconnect the power supply.

This machine must operate with quality liquids . To obtain an ideal result with EUROSMOKE Generators and to help maintain the warranty, only use the specific liquids from the new EuroSmoke Pro range that we produce.

The use of other liquids may lead to malfunctions and/or damage to the machine. SFAT excludes all liability for damage caused by the use of unapproved liquids.

This machine is not made (nor) intended for permanent use

TRANSPORTATION

To ensure safe transport, check that the machine has been purged and that there is no more liquid in the tank provided for this purpose.

We recommend that you use a flight case type transport case.

Caution: If the total weight of the machine and the transport case is upper than 15 kg. We recommend that you move the machine with 2 people to prevent back problems and/or pain. For movement, use a maneuvering element such as a pallet truck, wheeled tray, transport trolley

STORAGE

The machine must be stored in a dry and well-ventilated place to prevent any risk of corrosion.

The temperature during storage must be between 5° and 30°

Avoid rapid changes in temperature. They can damage electrical components

Store in a UV protected area to avoid aging of hoses and electrical cables.

ASSEMBLY – INSTALLATION – OPERATION – SECURITY

Warning: reminder of usual precautions:

A) Check the screws of the machine (especially after transport)

B) If the machine has been stored at a temperature close to 0°, check the condition of the components such as hoses, fan, power supply box, etc. because freezing can cause blockages and malfunctions.

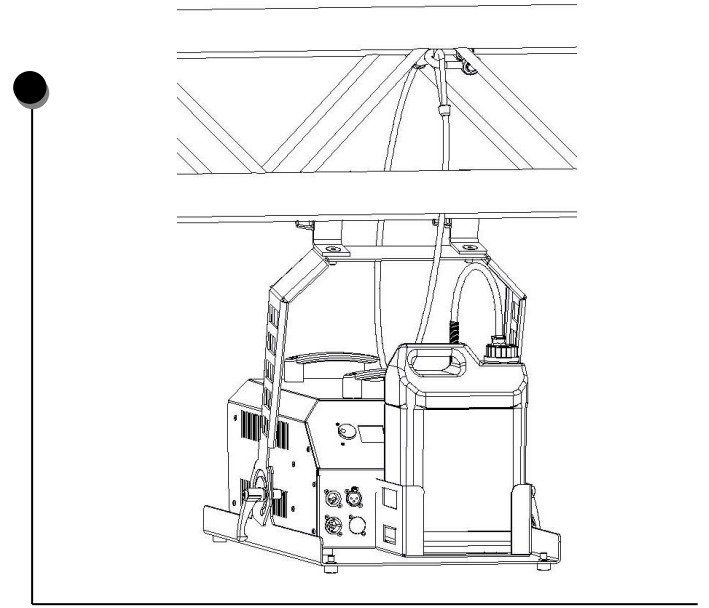
ASSEMBLY – INSTALLATION – SECURING

For the installation of the machine 2 choices are available to you to know :

- Place the machine on a stable and wide surface, following the instructions given above.
(Reminder - See paragraph 4 – Warnings / Recommendations - Page 5)

Suspend the EuroSmoke 3000 machine using its suspension kit (optional) and 2 hooks truss, use the holes located on the upper part of the suspension kit bracket.

It is necessary at this step to use a sling for heavy load, to secure assembly from the machine to the metal structure.

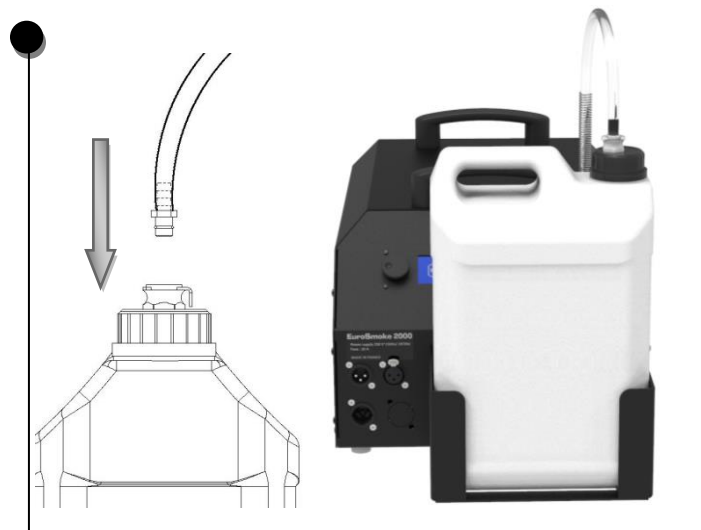


PREPARING FOR START-UP

Preparing and putting the machine into operation is simple and reliable.

Once your device is positioned and secured, install the machine tank in the support .

Connect the quick coupler located on the hose machine fluid supply, in the female coupler located on the tank cap.



START-UP – POWER UP

To turn on the machine, it is necessary that it is powered by a voltage source electric at 230 Vac \simeq 50 Hz



Use only the cable supplied with the machine

Before switching on, check that the machine is powered by an electrical source, equipped with differential switch type protection with a threshold of 0.03 A, an emergency stop button and earthing provided. according to the rules of the art.

Verify hoses and electrical connection again before starting the machine.

Test the fuse (located on the control panel). Corrosion can cause dysfunction.

Make sure it works.

To turn the machine on, press the rocker switch **1** (On/off function) located on the right side of the machine control panel. See attached photo.

Check that the resettable fuse is properly engaged. Otherwise, the EuroSmoke 3000 machine will not start.

Your device screen turns on (see photo opposite), after 2 seconds, the home menu is displayed. After a preheating time of approximately 14 min, Your device will be ready to work.

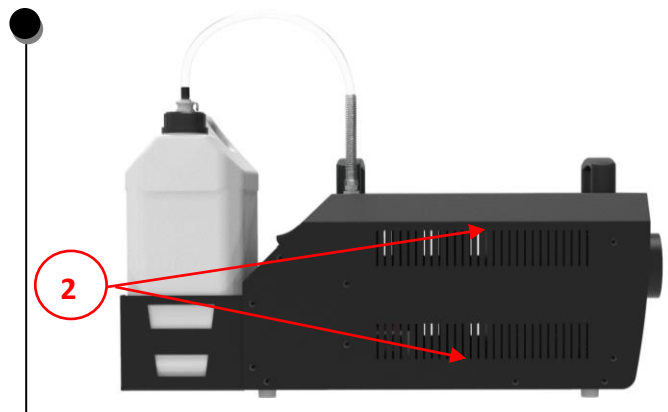
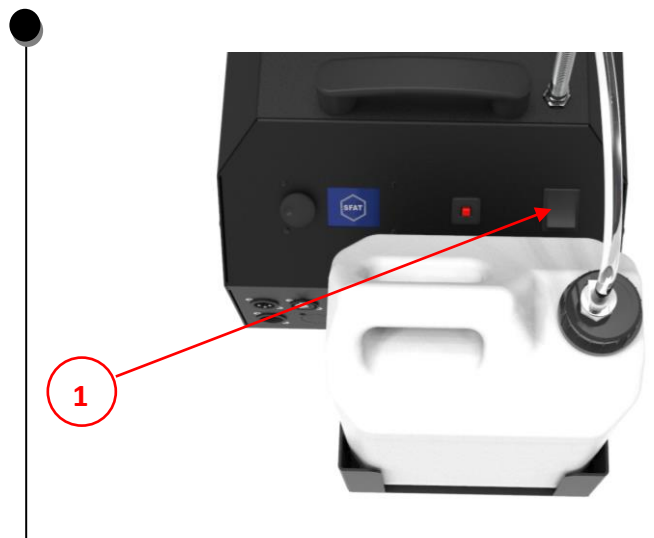
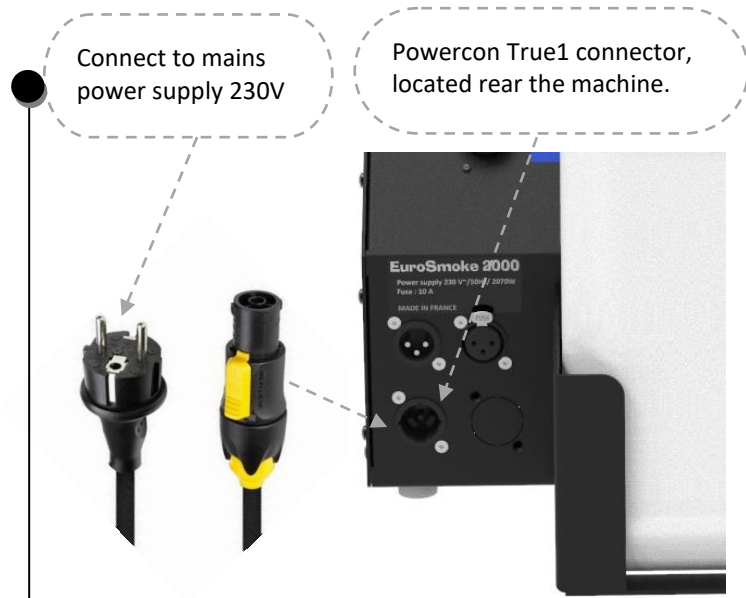
When the FOG icon is lighted in **RED**
Your machine is heating up.



When the FOG icon is lighted in **GREEN**
your machine is ready to operate.



When putting it into operation, it is necessary to ensure that no element obstructs the openings (oblong holes) **2** present on the EuroSmoke 3000 machine cover.



(Reminder - See paragraph 8 – Warnings / Recommendations - Page 5)

During use, the machine must remain under surveillance to ensure safe operation.

Safety Recommendations - Reminder

Before switching on, carefully check that the machine is powered by an electrical power source equipped with differential switch type protection with a threshold of 0.03 A, an emergency stop button and a to the ground carried out according to the rules of the art.

Never leave the device unattended.

Make sure that no one is in the immediate vicinity of the powered device.

During use, keep a safe distance from the public.

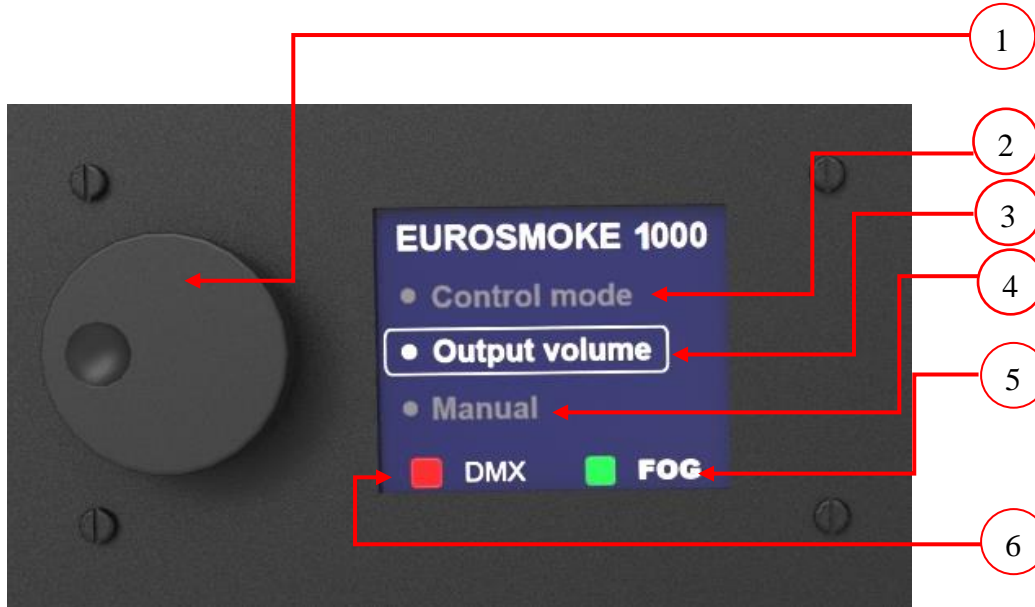
Place the device so that the mains cable can reach the box or the power supply control without forcing the connections.

Tip: Never let the power cable pass through an open space.

Do not leave the power cable near or on a hot surface which could damage it. For safety reasons , do not wet the power cable and electrical elements.

USING THE EUROSMOKE 3000 MACHINE

When the machine starts, the home screen is displayed. (in the image below you will find the function of each element) :



Explanation of the marks in the image above

1. Navigation wheel.
2. Use mode selection menu.
3. Machine flow control menu.
4. Manual triggering of the machine.
5. Icon indicating the operating status of the machine.
6. Icon indicating DMX connection status.

CONTROL MODES

The EUROSMOKE 3000 machine is equipped with information management technology controlled by a microprocessor which gives it great reliability of use, and different precise control modes.

We will now begin the explanation of the modes of use, namely:

- Manual control of the machine.
- Control by DMX system.
- Control via WIRELESS remote control.
- How timer mode works.
- The explanation of using the stand alone operating mode.

EUROSMOKE 3000 MANUAL MODE

The manual mode of the machine allows you to operate it directly, from the control panel via the navigation wheel.

First select by rotating the adjustment wheel the **Output volume** menu .

This submenu will allow you to select the output fog flow rate That you want to broadcast. (See image opposite).

The Output volume menu allows you to adjust the output flowrate, from a tiny puff to a thick cloud of fog.

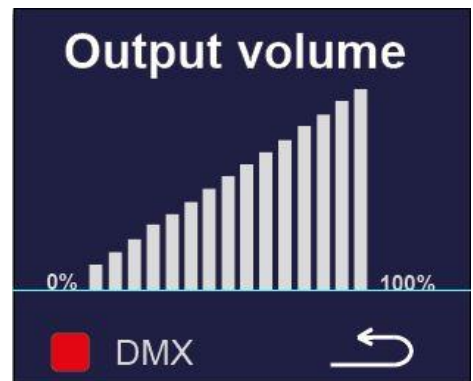
It is necessary to first adjust the flow rate of the machine Before using manual, Wireless control and Timer modes.

The electronic card technology allows you an accurate adjustment (in 1% increments, from 1 to 99%).

Click by a pulse on the adjustment wheel, choose the desired flow rate by rotating the knob, then validated by another click.

Once the output flow rate has been set and validated, by using the adjustment wheel select the MANUAL icon.

Your device is now ready to operate in manual mode. press the adjustment wheel to trigger a smoke jet, and release it to stop the smoke jet.



EUROSMOKE 3000 DMX MODE

DMX mode allows you to control the EUROSMOKE 3000 machine remotely, by using a DMX controller or a computer control box like Sunlite or Chromateq, Etc...

Connect the machine to the DMX network. Use a DMX cable. Insert the connector rear the machine in the location indicated by **Rep IN** in the image opposite.

Once the DMX cable is connected to your device, the icon located at the bottom left of the screen turns white. (See following picture).

You can set now the device DMX address.

By using the navigation wheel select the menu Control mode, click, then select the submenu DMX Control and click.

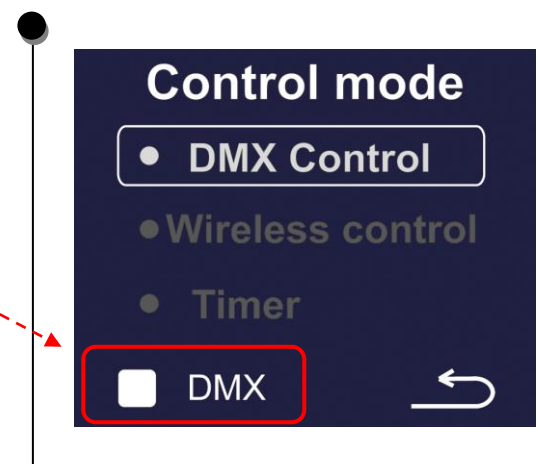
Click with the navigation wheel then select The address you have chosen, and finally validate the address by clicking again on the wheel.

You can set now the chosen DMX address.

The Eurosmoke 3000 Machine operates on 3 channels:

1. Triggering and adjusting the output flow rate.
2. N/C.
3. Triggering the machine timer.

Your machine is now ready to be controlled by your DMX system.



EUROSMOKE 3000 WIRELESS CONTROL MODE

WIRELESS CONTROL mode allows you to control the EUROSMOKE 3000 machine remotely, by using the wireless remote supplied with your device.

To allowed you to use this remote controller, it is necessary, first to activate the Wireless control function, in the machine menu.

Using the navigation wheel select the menu Control mode, click, then select the submenu Wireless control and click.

The screen shown in the illustration opposite appears.

You can now activate or deactivate the function of remote triggering.

Click with the navigation wheel then select The function you have chosen, and finally validate the action by clicking again on the wheel.

Your machine is now ready to be controlled by its M/F remote control.



EUROSMOKE 3000 TIMER MODE

Timer mode allows you to operate the EUROSMOKE 3000 machine independently. To set the timer time information, Go to the Timer menu.

Using the navigation wheel select the menu Control mode, click, then select the submenu Timer and click.

The screen shown in the illustration opposite appears.

You can now set the time intervals machine timer.



Using the adjustment wheel, place the cursor on the “Duration Set” information and click, you will now set the total operating time of the timer, the total time can be set from 1 second to 999 hours.

Once the total duration information has been set, you can adjust the start & stop interval of your device.

The “I” means ignition, it allows you to adjust the duration of the smoke jet from 1 second to 999 hours.

The “S” means Stop, it allows you to adjust the time interval between 2 jets of smoke duration.

In the example of our illustration, the machine will trigger jets of smoke for 10 seconds with a stop interval of 30 seconds, and for a total duration of 200 seconds.

All you have to do is press the virtual **Start button** by using the navigation wheel.

Your machine is now ready to operate in timer mode.

EUROSMOKE 3000 STAND ALONE MODE

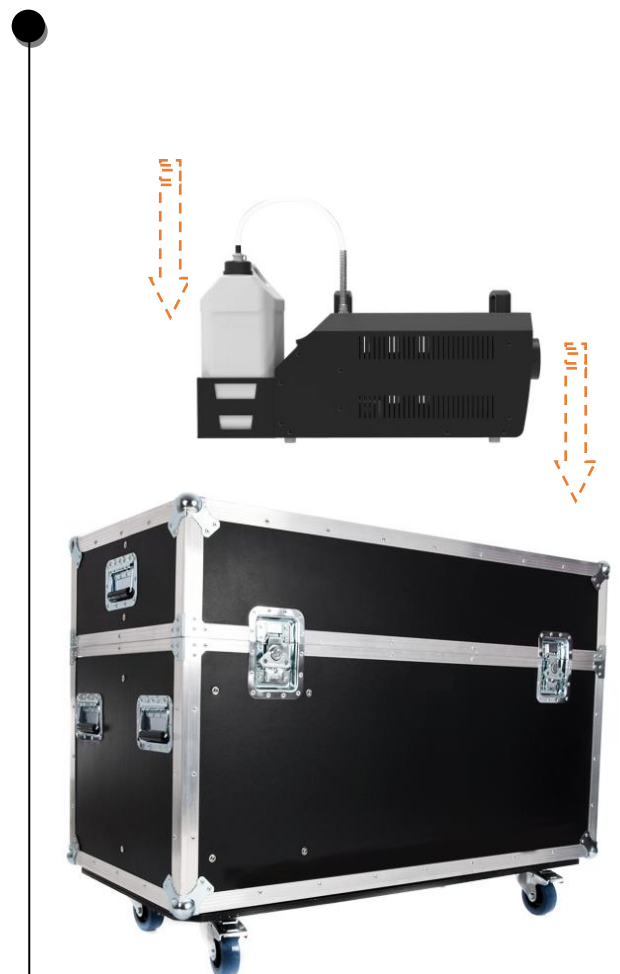
The EUROSMOKE 3000 Machine authorizes you to use in STAND ALONE mode to launch it it will be necessary to set the different timer duration settings to their maximums, then press the virtual button Start.

At this point your device will work alone, it will stop and retrigger fog jet, when the evaporation temperature of the heating block, has reached his normal operating temperature.



DEVICE DISASSEMBLY AND STORAGE

- To disassemble the machine, it is recommended to respect the following order.
- Disconnect the fluid supply hose from the reservoir and purge the system.
- Turn off the machine and wait for it to cool down.
- Disconnect the power cable from the outlet Mains and machine.
- Raise the machine by using the carrying handles provided for this purpose.
- Store the device in its storage location.



MAINTENANCE - DISPOSAL

MAINTENANCE

The machine requires regular maintenance for safe operation.

Please check the machine carefully before each use to prevent damage. (Material, bodily, etc.)

To clean the machine, use a cotton cloth and a little water.

Do not use chemicals or flammable liquids.

Always unplug the machine before cleaning.

And be sure that the heating block is cold, to avoid burn risks.

Check all electrical connections regularly (power cable, connectors)

Inspect the condition of the machine (damage after transport) and before use.

If the openings on the sides of the bodywork are blocked by dust or impurities,
Removed them.

The machine is equipped with a thermal circuit breaker (overload).

Test the circuit breaker before each use to ensure it is not blocked by corrosion or damaged.

Do not open the machine yourself. Technical maintenance is permitted only by qualified service technicians.

Maintenance period:

- Before and after each use of the machine
- Get a complete inspection every year by a service technician
- Electrical inspection after 3 months of use (switch, circuit breaker, power supply wire, connectors)

Periodically remember to check the tightness of the bodywork screws.

If the EUROSMOKE 3000 machine does not work for any reason, then please contact our services.

ELIMINATION - DISPOSAL

The machine does not contain batteries or chemicals that must be removed before recycling.

The symbol on the device or on the accompanying documentation indicates that this product cannot under any circumstances be treated as household waste.

It must therefore be handed over to a waste collection center responsible for recycling electrical and electronic equipment.

For disposal, follow the waste disposal standards rules in the country of installation.

For further details on the treatment, recovery and recycling of this appliance, please contact the responsible office in your municipality, the waste collection company or directly from your retailer.



MALFUNCTION - TROUBLESHOOTING

The machine does not switch on when pressing the start button:

- Check the electrical connection.
- Check if the power cable is not too tight, and force on the connections.
- Check the position of the power supply plug. Check if it is properly engaged.
- Check if the power cable is not wet.
- Check that the On/off switches are properly engaged.
- Check if the resettable fuse is activated by pressing it.
- If the machine still does not start, take the machine to a service technician.

If no smoke jet is produced or if production is low:

- Check if the supply hose sucks up the fluid into the can and if the filter immerses well in the liquid.
- Check if the machine flow rate is set to the maximum flow rate value for start-up.
- Check if the hoses are not abnormally bent or crushed.
- Check if the liquid supply pump is working correctly. By turning the power on and off several times, you will be able to see if it is blocked or not.
- Check if the liquid container is not too far from the machine.

The thermal circuit breaker trips after a certain time:

- Check if the device is used in an environment that is too hot.
(maximum outdoor temperature is 45°C). If you use the machine in a hot and sunny place, protect the machine from direct sunlight. Cool the machine by putting it in a cold shaded storage .
- The thermal circuit breaker trips due to overheating, remove the external heat source and ensure sufficient fresh air supply, after 30 minutes the device should turn back on.
- If this continues to happen, please take your machine to a service technician for checking.

HOW TO SUCCEED IN YOUR EVENT

- 1) Use the machine only when it has been checked and tested.
- 2) During an operating time, provide constant supervision. Designate a person for this purpose in order to constantly monitor the participants safety.
- 3) Do not allow children, third parties or animals to park near the device during operation.
- 4) Never grab and/or move the device when it is in operation.
- 5) if liquid is spilled on slippery surfaces such as tiles, ceramic floors, plastic canvases, wipe up immediately and clean to avoid falls or slips.
- 6) Never remove the safety devices from the machine and keep them in good condition.
- 7) Before switching on the power, check that the EUROSMOKE 3000 machine is powered by means of the power supply box provided and equipped with differential switch type protection with a threshold of 0.03 A, a stop button 'emergency. Check that the earthing is carried out according to the art rules.
- 8) Have a bottle of clear water or a clear water supply ready for any rinsing in case the liquid comes into contact with the eyes.
- 9) the use of smoke generators is the most harmless method of reproducing artificial fog, however we cannot guarantee safety when using poor quality smoke liquids.

We therefore recommend that people with health problems, respiratory tract irritation, or a tendency to allergies avoid any contact with artificial smoke.

GUARANTEE

The "manufacturer" warranty for the machine is limited to 3 years and begin on the date of purchase by the user (invoice date).

Extended: the guarantee consists of free replacement of parts having manufacturing defects and/or abnormal malfunctions recognized by our services (with the exception of wearing parts).

Warranty conditions: In the event of a problem occurring with the machine during the warranty period, our after-sales service will tell you what to do to help you to sold your issue, and will advise you on the nearest distributor if necessary.

You can also send your machine to our after-sales service, attaching your purchase invoice and a report describing the problem observed and requesting the activation of the warranty. A technical diagnosis will be carried out, the conclusions of which will be sent to you

Exclusions:

The guarantee cannot be granted for damage resulting from:

- abnormal use, transport or handling error, or maintenance.
- following the use of non-original parts or accessories,
- following interventions carried out by unqualified personnel
- if the device is used for applications not indicated in this document.

To help maintain the warranty, only use the specific liquids from the EuroSmoke Pro range that we produce.

We assume that you, your employees and others who will use the machine are familiar with how the machine is must to be used. If in doubt, do not hesitate to contact us.

This includes the correct use, maintenance of the machine as described in this manual.

SFAT company excludes all liability in the event of a service or event for dangerous situations, accidents, harm and damage which are the result of:


- Failure to follow the warnings or advice given in this documentation.
- Use for other purposes or in other circumstances than those stated in this documentation.
- Changes made to the device. This also includes the use of spare parts other than original ones.
- Insufficient maintenance.
- Inability to operate the machine.

Any other use than that described in this document excludes all liability on the part of your supplier.

DECLARATION OF CONFORMITY CE EC DECLARATION OF CONFORMITY

- We hereby declare as a designer manufacturer that the machine hereinafter named (including all modifications) and forming part of the EUROSMOKE MACHINE range:

- We hereby declare as manufacturer & composer that the machine named hereafter (including all modifications) and forming part of the EUROSMOKE MACHINE range:

Name of machine - Name machine	EUROSMOKE 3000
Reference - Reference	150ESM1202
Voltage - Voltage	230Vac  50Hz
Serial Number	View product
Year of manufacture - Year of construction	View product

- are in accordance with the specifications and requirements of the following directives:

- Directive 2006 / 95 / EC - Low Voltage Directive
- Directive 2014 / 30 / EC - Electromagnetic Compatibility Directive
- EN IEC 61000 - Electromagnetic compatibility
- Directive 2011 / 65 / EC - Rohs Directive
- EN IEC 60335-1 - household an similar electrical requirment.

The following harmonized standards were applied in particular:

The following harmonized standards were applied:

EN 60335-1: 2012 + A11: 2014 + A13: 2017 + A1: 2019 + A14: 2019 + A2: 2019 + A15: 2021
 EN 55014-1 (2021)
 CISPR 14 -1 (2020)
 EN 55014-2 (2021)
 CISPR 14-2 (2020)
 EN 61000-3-2 (2019+A1/2021)
 EN 61000-3-3 (2013+A1/2019)
 EN IEC 61000-4-2 (Ed2 2008)
 EN IEC 61000-4-3 (2006+A1/2008+A22010)
 EN IEC 61000-4-4 (2012)
 EN IEC 61000-4-5 (2014+A12017)
 EN IEC 61000-4-6 (2014)
 EN IEC 61000-4-6 (2013)
 EN IEC 61000-4-11 (2020)
 ESTI EN 301 489-1 V2.2.3
 ESTI EN 301 489-3 V2.1.1

Chatenoy le Royal, the 10.10.2023

Christophe de Lora - Manager - General Manager

SFAT - PROFESSIONAL SPECIAL EFFECTS

6, rue du Parc

71880 - Chatenoy le Royal - FranceT +33 (0)385 900660 - F: +33 (0)385 936 336 - www.sfat.fr

