



TECHNICAL SHEET

PROFESSIONAL SMOKE MACHINE – MODEL EUROSMOKE 2000 W

EUROSMOKE

MACHINE



MADE IN FRANCE

Presentation

EUROSMOKE 2000 Generator is part of a new range of professional smoke machines designed to produce very fine artificial smoke that enhances all types of light effects. The technology of EUROSMOKE generators offers many possibilities of use and allows easy maintenance of the main organs which remain entirely removable. His design and the choice of components have been particularly studied to guarantee an extraordinary longevity of use. The display screen and its navigation wheel make the handling of the machine as well as its use very intuitive. In addition to direct control, the machine can also be controlled (depending on option) via Dmx, Wireless, Wifi dmx modes. The various control options allow many uses in a wide variety of scenarios. The EUROSMOKE 2000 model is ideal for volumes such as Live Concerts, Large Volume Theater, Show TV, Police Security Exercises, fire safety exercises, etc... To obtain an ideal result with EUROSMOKE Generators and to help maintain the warranty, only use the specific liquids from the new EuroSmoke Pro range that we produce.

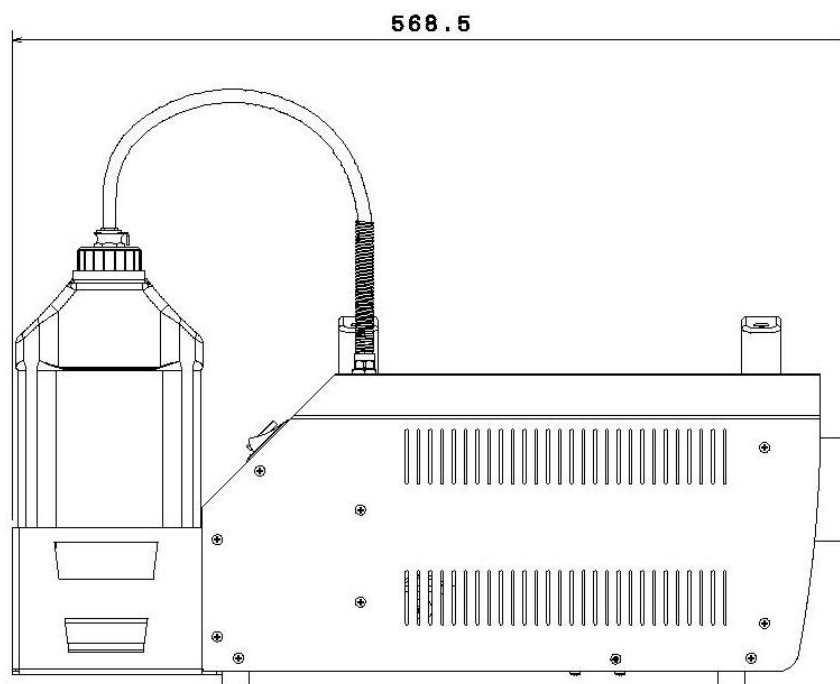
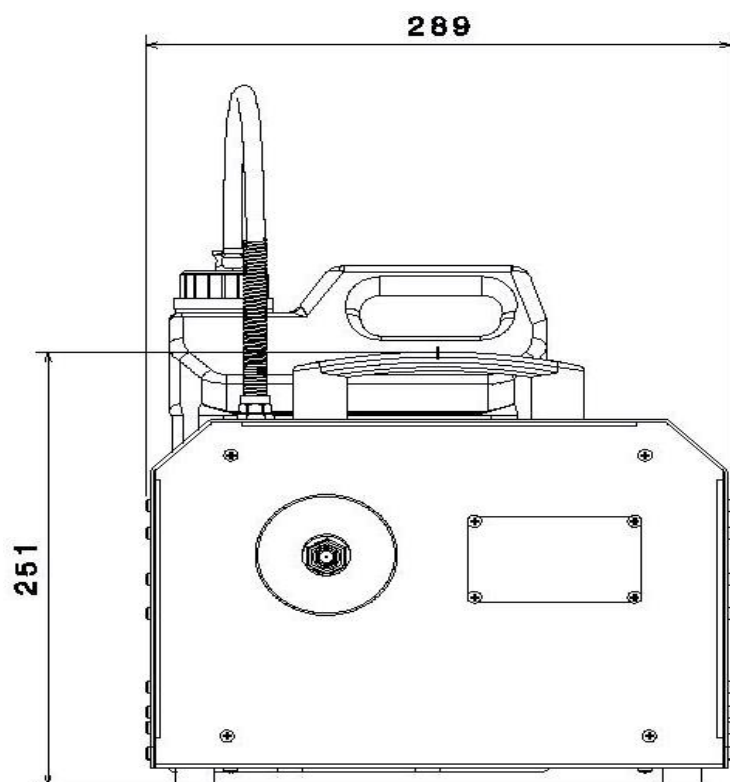
Technical Informations

- **Control panel:**
The control panel with its LCD screen display allows the user to get an easy and intuitive manipulation.
- **Manual Mode:**
The manual mode allows the user to trigger fog jet without remote system.
- **DMX 512 Mode :**
The Machine Eurosmoke 1000 can be controlled by DMX 512.
The connection is done with 5 pin -xlr plugs, the DMX address can be set via the control panel.
The address stays saved also when the machine is unplugged from mains power connection.
- **Timer Mode :**
Using the timer mode the machine can work by following a program set by the user, the general time can be set in seconds to hours, the fogging time can be adjusted in second to hours.
- **Stand-alone mode :**
The Stand-alone Mode is also available on this machine, set before the fogging output flow rate and then set the timer values to their maximum.



TECHNICAL CHARACTERISTICS	
Model	EuroSmoke 2000
Reference	150ESM1201
EAN Code	0745110041214
Voltage	230V ~ 50Hz
Power connector type	PowerCon True 1
Absorbed power	2070W
Heating time	About 14 mins
Protection Index (IP)	IP20
Fuse	10A Automatic Fuse
Temperature protection of the heater	Bimetallic thermostat with opening
Pump temperature protection	Thermal Fuse
Temperature control system	Thermocouple / Microprocessor
Control panel	LCD screen - navigation wheel
Connection interface	5 Pin XLR In/Out
Control mode	Manual / Remote control (Wireless) / DMX 512 / Timer
Optional accessories	Wired Remote Control / Wifi DMX Remote Control
Flow control	Adjustable from 1% to 100% in 1% increments
Throw distance	Up to 13 / 14 m
Liquid consumption at maximum flow	≥ 220 ml with 100%
Liquid consumption in continuous flow	≥ 40 ml with 30%
Overall length of the machine	568,50 mm
Overall width of the machine	289,00mm
Overall height of the machine	251,00mm/406 mm with tank
Tank Capacity	5L
Weight of the device empty	14 kg
Operating temperatures	+ 5°C at 45°C

MACHINE DIMENSIONS



ACCESSORIES

- EuroSmoke Wifi Dmx Remote.
- EuroSmoke Wifi Dmx Key
- EuroSmoke Wifi Dmx Transmitter



CERTIFICATION – EUROSMOKE MACHINES SUMMARY OF EUROPEAN STANDARDS VALIDATED IN LABORATORY

1) EN 60335-1: 2012 + A11: 2014 + A13: 2017 + A1: 2019 + A14: 2019 + A2 : 2019 + A15: 2021

Standard description: Household and similar electrical appliances - safety

Directives:

- Machines 2006/42/EC
- Low Voltage 2006/95/EC
- Harmonization of legislation 2014/35/EU
- RoHs Directive 2011/65/EC

Annex standards concerning the tests carried out:

IEC 60695-2- 2: Needle burner test

IEC 60384 - 14: Capacitor overload test.

IEC 61058 - 1: Switch test (cycle resistance and deformation at high temperature)

IEC 60664 - 3: Printed Circuit Board coating test

IEC 60068-2-78: Humidity resistance test, test carried out to define proper operation following product delivery.

IEC 60384-14: Fixed capacitor test used in electronic devices.

IEC 60245: Insulation test of internal conductors.

IEC 60730 -2 -8: Capillary thermostat test acting as a safety component.

IEC 60068-2-75: Mechanical resistance test (shock resistance) Spring hammer (0.5J).

IEC 62477 - 1: Voltage transformer/converter circuit test.

IEC 60730-1: Test of the number of cycles of the capillary thermostat of the machine.

IEC 60691: Response to the requirements for thermal protection.

IEC 60695-10-2: Temperature resistance test (ball test at a temperature of 125°C of plastic and polymer elements).

IEC 60695-2-11: Heat and fire resistance test, carried out with an incandescent wire on non-metallic parts (Test temperature 550°C /750°C and 850°C).

IEC 60664-1: Overvoltage test.





CERTIFICATION – EUROSMOKE MACHINES SUMMARY OF EUROPEAN STANDARDS VALIDATED IN LABORATORY

2) EN 55014 -1 : 2021 & CISPR 14-1

Requirements for household electrical appliances, electrical tools and similar apparatus - Part 1: Emission .

3) EN 55014 -2 : 2021 & CISPR 14-2

Requirements for household electrical appliances, electrical tools and similar apparatus - Part 2: Immunity .

4) ETSI EN 301 489-1 V2.2.3

Electromagnetic compatibility (EMC) standard for radio equipment and services;
Part 1: Common technical requirements; Harmonized standard covering the essential requirements of Article 3.1 (b) of Directive 2014/53/EU and the essential requirements of Article 6 of Directive 2014/30/EU.

5) EN 61000-3-2 (2019+A1/2021) / IEC 61000-3-2 (2018+A1/2020)

Limits for harmonic current emissions (current drawn by devices less than or equal to 16 A per phase)

EN 61000-3-3 (2013+A1/2019+A2/2021) / IEC 61000-3-3 (2013+A1/2017+A2/2021)

Limitation of voltage variations, voltage fluctuations and flicker in public low-voltage power supply networks, for equipment with an assigned current ≤ 16 A per phase and not subject to conditional connection.

EN 61000-4-2 (2009) / IEC 61000-4-2 (Ed2 2008)

Electrostatic discharge immunity tests.

EN 61000-4-3 (2006+A1/2008+A2/2010) / IEC 61000-4-3 (2006+A1/2007+A2/2010)

Radio-frequency electromagnetic field immunity tests.

EN 61000-4-4 (2012) / IEC 61000-4-4 (2012)

Electrical fast transient/burst immunity tests.

EN 61000-4-5 (2014+A1/2017) / IEC 61000-4-5 (2014+A1/2017)

Immunity test to surges.

EN 61000-4-6 (2014) / IEC 61000-4-6 (2013)

Immunity to conducted disturbances induced by radioelectric fields.

EN 61000-4-11 (2020) / EN IEC 61000-4-11 (2020)

Immunity tests to voltage dips, short interruptions and voltage variations.

