

# MIRAGE Q6 PAK

## User Manual

©2024 ADJ Products, LLC all rights reserved. Information, specifications, diagrams, images, and instructions herein are subject to change without notice. ADJ Products, LLC logo and identifying product names and numbers herein are trademarks of ADJ Products, LLC. Copyright protection claimed includes all forms and matters of copyrightable materials and information now allowed by statutory or judicial law or hereinafter granted. Product names used in this document may be trademarks or registered trademarks of their respective companies and are hereby acknowledged. All non-ADJ Products, LLC brands and product names are trademarks or registered trademarks of their respective companies.

**ADJ Products, LLC** and all affiliated companies hereby disclaim any and all liabilities for property, equipment, building, and electrical damages, injuries to any persons, and direct or indirect economic loss associated with the use or reliance of any information contained within this document, and/or as a result of the improper, unsafe, insufficient and negligent assembly, installation, rigging, and operation of this product.

**ADJ PRODUCTS LLC World Headquarters**

6122 S. Eastern Ave. | Los Angeles, CA 90040 USA  
 Tel: 800-322-6337 | Fax: 323-582-2941 | [www.adj.com](http://www.adj.com) | [support@adj.com](mailto:support@adj.com)

**ADJ Supply Europe B.V.**

**ADJ SERVICE EUROPE** - Monday - Friday 08:30 to 17:00 CET  
 Junostraat 2 | 6468 EW Kerkrade | Netherlands  
 +31 45 546 85 60 | Fax: +31 45 546 85 96 | [info@adj.eu](mailto:info@adj.eu) | [support@adj.eu](mailto:support@adj.eu)

Europe Energy Saving Notice

Energy Saving Matters (EuP 2009/125/EC)

Saving electric energy is a key to help protecting the environment. Please turn off all electrical products when they are not in use. To avoid power consumption in idle mode, disconnect all electrical equipment from power when not in use. Thank you!

**DOCUMENT VERSION**



Due to additional product features and/or enhancements, an updated version of this document may be available online. Please check [www.adj.com](http://www.adj.com) for the latest revision/update of this manual before beginning installation and/or programming.

Date	Document Version	Software Version	DMX Channels	Notes
07/22/2021	1.0	V1.00	4 / 6 / 7 / 8 / 9A / 9B / 10 / 11 / 12 / 15 / 18 channels	Initial Release
11/05/2021	1.1	N/C	No Change	Updated Key Features, Safety Guidelines, Overview, Installation, In-Case Charging, System Menu, DMX Traits, Dimensional Drawing, Specifications; Removed DMX Setup.
01/20/2022	1.2	V1.02	No Change	Updated System Menu, Dimensional Drawings, and Specifications.
05/06/2022	1.3	N/C	No Change	Updated UC IR Remote.
05/12/2022	1.4	V1.03	No Change	Updated System Menu to add Saver 14 mode; updated Specifications.
08/17/2022	1.5	N/C	No Change	Updated Key Features, Installation.
10/25/2022	1.6	N/C	No Change	Updated Overview, Dimensional Drawings.
12/23/2022	1.7	V1.05	No Change	Replaced UC IR section with updated IR Remote Control section; updated System Menu; added IR Default RGBA Values and Editing RGBA IR Button Values
05/22/2023	1.8	V2.01	No Change	Updated Wireless Set Up, IR Remote Control, System Menu, Torque Settings, Specifications
07/24/2023	1.9	N/C	No Change	Updated Overview, Fuse Replacement, Specifications; added FCC Statement
11/15/2024	2.0	V2.02	No Change	Updated System Menu & DMX Traits.

# CONTENTS

<b>General Information</b>	<b>4</b>
<b>Key Features   Warranty Returns</b>	<b>5</b>
<b>Limited Warranty (USA Only)</b>	<b>6</b>
<b>IP65 Rated</b>	<b>7</b>
<b>Safety Guidelines</b>	<b>8</b>
<b>Overview - Flight Case</b>	<b>10</b>
<b>Overview - Lighting Fixture</b>	<b>11</b>
<b>DMX Addressing</b>	<b>12</b>
<b>Wireless Setup (Aria)</b>	<b>13</b>
<b>UC IR Remote</b>	<b>15</b>
<b>Installation</b>	<b>16</b>
<b>In-Case Charging</b>	<b>20</b>
<b>System Menu</b>	<b>21</b>
<b>English</b>	<b>22</b>
<b>Spanish</b>	<b>24</b>
<b>Dimmer Curves</b>	<b>26</b>
<b>DMX Traits</b>	<b>27</b>
<b>Color Macros</b>	<b>29</b>
<b>Color Temperature</b>	<b>30</b>
<b>IR Default RGBA Values</b>	<b>31</b>
<b>Cleaning &amp; Maintenance</b>	<b>32</b>
<b>Torque Settings</b>	<b>33</b>
<b>Battery Life   Flight Case Fuse Replacement</b>	<b>34</b>
<b>Dimensional Drawings</b>	<b>35</b>
<b>Specifications</b>	<b>36</b>
<b>FCC Statement</b>	<b>37</b>

# GENERAL INFORMATION

**Introduction:** Congratulations on your purchase of the ADJ Mirage Q IP! This device is battery-operated, IP65-rated, RGBA LED chrome upright, and has been designed to perform reliably for years when the guidelines in this booklet are followed. Please read and understand the instructions in this manual carefully and thoroughly before attempting to operate the device. These instructions contain important information regarding safety during use and maintenance.

Please keep this manual with the device for future reference.

**Customer Support:** Contact ADJ Service for any product related service and support needs. Also visit [forums.adj.com](http://forums.adj.com) with questions, comments or suggestions.

**Parts:** To purchase parts online visit:

<http://parts.adj.com> (US)

<http://www.adjparts.eu> (EU)

**ADJ SERVICE USA - Monday - Friday 8:00am to 4:30pm PST**

Voice: 800-322-6337 | Fax: 323-582-2941 | [support@adj.com](mailto:support@adj.com)

**ADJ SERVICE EUROPE - Monday - Friday 08:30 to 17:00 CET**

Voice: +31 45 546 85 60 | Fax: +31 45 546 85 96 | [support@adj.eu](mailto:support@adj.eu)

## ADJ PRODUCTS LLC USA

6122 S. Eastern Ave. Los Angeles, CA. 90040

323-582-2650 | Fax 323-532-2941 | [www.adj.com](http://www.adj.com) | [info@adj.com](mailto:info@adj.com)

## ADJ SUPPLY Europe B.V

Junostraat 2 6468 EW Kerkrade, The Netherlands

+31 (0)45 546 85 00 | Fax +31 45 546 85 99

[www.americandj.eu](http://www.americandj.eu) | [info@americandj.eu](mailto:info@americandj.eu)

## ADJ PRODUCTS GROUP Mexico

AV Santa Ana 30 Parque Industrial Lerma, Lerma, Mexico 52000

+52 (728) 282-7070

**WARNING!** To prevent or reduce the risk of electrical shock or fire, do not expose the charging flight case to rain or moisture.

**CAUTION!** There are no user serviceable parts inside these units. Do not attempt any repairs yourself, as doing so will void your manufacturer's warranty. In the unlikely event your unit may require service, please contact ADJ Products, LLC.

Do not discard the shipping carton in the trash. Please recycle when ever possible.

# KEY FEATURES

## FIXTURE FEATURES

- IP65 Outdoor Rated
- 15 Degree Beam Angle
- 4-touch button OLED display on rear panel
- Built-in wireless DMX: Up to 2,500 feet (760M) when used with ADJ's wireless transceiver
- 64 built-in Color Macros
- Flicker Free Operation
- Electronic Dimming: 0 - 100% with 6 dim modes and 4 dim curves
- Rechargeable Lithium-Ion Battery
- Battery Charge Time: 7 Hours
- Battery Life: 40 hours (single color)
- Motion-Activated Alarm Feature
- Kensington Key Slot

## CASE FEATURES

- Houses / Transports and Charges (6) MIRAGE Q6 IP™ fixtures
- Power Input: AC100VAC~240VAC, 50/60Hz
- Charge status indicator

## WARRANTY RETURNS

All returned service items, whether under warranty or not, must be freight pre-paid and accompanied by a return authorization (R.A.) number. The R.A. number must be clearly written on the outside of the return package. A brief description of the problem as well as the R.A. number must also be written down on a piece of paper included in the shipping carton. If the unit is under warranty, you must provide a copy of your proof of purchase invoice. You may obtain an R.A. number by contacting our customer support team. All packages returned to the service department not displaying an R.A. number on the outside of the package will be returned to the shipper.

# LIMITED WARRANTY (USA ONLY)

- A. ADJ Products, LLC hereby warrants, to the original purchaser, ADJ Products, LLC products to be free of manufacturing defects in material and workmanship for a prescribed period from the date of purchase (see specific warranty period on reverse). This warranty shall be valid only if the product is purchased within the United States of America, including possessions and territories. It is the owner's responsibility to establish the date and place of purchase by acceptable evidence, at the time service is sought.
- B. For warranty service, you must obtain a Return Authorization number (RA#) before sending back the product-please contact ADJ Products, LLC Service Department at 800-322-6337. Send the product only to the ADJ Products, LLC factory. All shipping charges must be pre-paid. If the requested repairs or service (including parts replacement) are within the terms of this warranty, ADJ Products, LLC will pay return shipping charges only to a designated point within the United States. If the entire instrument is sent, it must be shipped in its original package. No accessories should be shipped with the product. If any accessories are shipped with the product, ADJ Products, LLC shall have no liability whatsoever for loss of or damage to any such accessories, or for the safe return thereof.
- C. This warranty is void if the serial number has been altered or removed; if the product is modified in any manner which ADJ Products, LLC concludes, after inspection, affects the reliability of the product, if the product has been repaired or service by anyone other than ADJ Products, LLC factory unless prior written authorization was issued to purchaser by ADJ Products, LLC; if the product is damaged because not properly maintained as set forth in the instruction manual.
- D. This is not a service contract, and this warranty does not include maintenance, cleaning or periodic check up. During the period specified above, ADJ Products, LLC will replace defective parts at its expense with new or refurbished parts, and will absorb all expenses for warranty service and repair labor by reason of defects in material or workmanship. The sole responsibility of ADJ Products, LLC under this warranty shall be limited to the repair of the product, or replacement thereof, including parts, at the sole discretion of ADJ Products, LLC. All products covered by this warranty were manufactured after August 15, 2012, and bear identifying marks to that effect.
- E. ADJ Products, LLC reserves the right to make changes in design and/or improvements upon its products without any obligation to include these changes in any products theretofore manufactured.
- F. No warranty, whether expressed or implied, is given or made with respect to any accessory supplied with products described above. Except to the extent prohibited by applicable law, all implied warranties made by ADJ Products, LLC in connection with this product, including warranties of merchantability or fitness, are limited in duration to the warranty period set forth above. And no warranties, whether expressed or implied, including warranties of merchantability or fitness, shall apply to this product after said period has expired. The consumer's and/or Dealer's sole remedy shall be such repair or replacement as is expressly provided above; and under no circumstances shall ADJ Products, LLC be liable for any loss or damage, direct or consequential, arising out of the use of, or inability to use, this product.
- G. This warranty is the only written warranty applicable to ADJ Products, LLC Products and supersedes all prior warranties and written descriptions of warranty terms and conditions heretofore published.

## LIMITED WARRANTY PERIODS

- **Non L.E.D. Lighting Products = 1-year (365 days) Limited Warranty** (Such as: Special Effect Lighting, Intelligent Lighting, UV lighting, Strobes, Fog Machines, Bubble Machines, Mirror Balls, Par Cans, Trussing, Lighting Stands etc. excluding LED and lamps)
- **Laser Products = 1 Year (365 Days) Limited Warranty** (excludes laser diodes which have 6 month limited warranty)
- **L.E.D. Products = 2-year (730 days) Limited Warranty** (excluding batteries which have a 180 day limited warranty)  
Note: 2 Year Warranty only applies to purchases within the United States.
- **StarTec Series = 1 Year Limited Warranty** (excluding batteries which have a 180 day limited warranty)
- **ADJ DMX Controllers = 2 Year (730 Days) Limited Warranty**

# IP65 RATED

The **International Protection (IP)** rating system is commonly expressed as “**IP**” (Ingress Protection) followed by two numbers (i.e. IP65), where the numbers define the degree of protection. The first digit (Foreign Bodies Protection) indicates the extent of protection against particles entering the fixture, and the second digit (Water Protection) indicates the extent of protection against water entering the fixture. An **IP65** rated lighting fixture is designed and tested to protect against the ingress of dust (6), and low-pressure water jets from any direction (5).

**NOTE: THIS FIXTURE IS INTENDED FOR TEMPORARY OUTDOOR USE ONLY!**

**Maritime/Coastal Environment Installations:** A coastal environment is seaside adjacent, and caustic to electronics through exposure to atomized salt-water and humidity, whereas maritime is anywhere within 5-miles of a coastal environment.



**NOT suitable for maritime/coastal environment installations. Installing this fixture in a maritime/coastal environment may cause corrosion and/or excessive wear to the interior and/or exterior components of the fixture. Damages and/or performance issues resulting from installation in a maritime/coastal environment will void the manufactures warranty, and will NOT be subject to any warranty claims and/or repairs.**

Maritime installations require additional preparation, and additional service intervals may be needed given the maritime use. In general, IP ratings presuppose freshwater conditions VS maritime conditions, which are typically more “caustic” to IP fixtures (both internally and externally). A duty-cycle may also be needed when units are not in use. During times of high humidity and colder temperatures, condensation may occur internally so the fixture may require a duty-cycle to bring it up to running temperature, allowing any accumulation of moisture to be expelled via the vent valve. Recommendations can change based on installation environmental circumstances. A waterproof dome or similar device is recommended for use in permanent outdoor installations. When using a dome, refer to manufacturer recommendations for duty-cycle.

**NOTE: NOT ALL FEATURES LISTED ARE AVAILABLE ON ALL FIXTURES; THE FOLLOWING INSTRUCTIONS MAY NOT APPLY. CONTACT SUPPORT FOR ADDITIONAL DETAILS.**

**Exterior Maintenance:** Inspect the exterior every 30-days. The unit must be powered off/disconnected. Inspect optics to determine if the lens is obstructed, then clean optics and chassis accordingly. Based on initial finding, schedule maintenance accordingly, keeping in mind that exterior maintenance will be required. Even if the luminaires are NOT in use, maintenance will still be needed given its location (exterior use). The use of a durable type of wax on the chassis is recommended since it will help prevent contaminant build up. Inspect both power and data lines for any signs of contaminants or corrosion. Periodically reapplying di-electric grease, especially in coastal environments. If any signs of corrosion/contaminants are present, clean thoroughly, and/or replace connectors, then reapply di-electric grease. Typically, this should be done annually, or any time an opportunity presents itself. As a preventive measure, annual replacement of both vent valves is recommended. The vent valve membrane can become contaminated and/or clogged causing improper venting of humidity within the luminaire. Inspect all mounting hardware as a precaution.

**Interior Maintenance:** Inspect the interior every 30-days. The unit must be powered off/disconnected.

- Inspect zoom/focus mechanism, clean optics, lubricate linear bearings (Krytox oil) as needed, inspect belts for wear
- Inspect all rotating effect wheels, manually rotate them, note any resistance
- Inspect all remaining rotating belts for any wear
- Inspect all fans, clean as needed, check rotation, check connections
- Inspect CMY module, manually move flags and check for signs of resistance, and if needed, clean guide rods first, then reapply a thin layer of grease (moly lube)
- Clean interior with low-volume compressed air, then clean optics prior to reassembly of head covers

Although the base has limited moving parts, the pan belt should also be inspected for wear. Remember to always perform an IP test anytime a cover is removed.

There is no specific time frame regarding the routine replacement of parts such as belts/stepper motors, PCBs, or LEDs. These items should only be replaced on an as needed bases, except for cooling fans, which should be replaced once the luminaries reach 10,000-hours. This is a prophylactic measure intended to keep the unit running as cool as possible, insuring proper function of all internal components. A complete service breakdown is available, please contact [service@adj.com](mailto:service@adj.com) for any needed parts or manuals.

# SAFETY GUIDELINES

**For Your Own Personal Safety, Please Read and Understand This Manual Completely Before You Attempt To Install Or Operate This Unit!**

- Be sure to save the packing carton in the unlikely event the device may have to be returned for service.
- Do not spill water or other liquids into or on to the charging device or flight case.
- Be sure that the local power outlet matches the required voltage for the device.
- Do not open up the device for any reason. There are no user serviceable parts inside.
- Disconnect the device's main power when left unused for long periods of time.
- Never connect this device to a dimmer pack.
- Do not attempt to operate this device if it has been damaged in any way.
- Never operate this device with the cover removed.
- To reduce the risk of electrical shock or fire, do not expose the charging device or the flight case to rain or moisture.
- Do not attempt to operate this device if the power cord has been frayed or broken.
- Do not attempt to remove or break off the ground prong from the electrical cord. This prong is used to reduce the risk of electrical shock and fire in case of an internal short.
- Disconnect from main power before making any type of connection.
- Never block the ventilation holes. Always be sure to mount this device in an area that will allow proper ventilation. Allow about 6" (15cm) between this device and a wall.
- This flight case and charging devices are intended for indoor use only. Use of these devices outdoors voids all warranties.
- Always mount this unit in a safe and stable matter.
- Please route your power cord out of the way of foot traffic. Power cords should be routed so they are not likely to be walked on, or pinched by items placed upon or against them

**Operating temperature range for this fixture is 32 to 113 degrees F (0 to 45 degrees C). Do not operate this device when ambient temperature falls outside this range!**

**Keep flammable materials away from this fixture!**

**FLIGHT CASE AND CHARGING DEVICES ARE DESIGNED FOR INDOOR USE ONLY! DO NOT EXPOSE TO RAIN OR MOISTURE!**

The device should be serviced by qualified service personnel when:

- A. The power-supply cord or the plug has been damaged.
- B. Objects have fallen on, or liquid has been spilled into, the device.
- C. The flight case or charging devices have been exposed to rain or water.
- D. The appliance does not appear to operate normally or exhibits a marked change in performance.



# SAFETY GUIDELINES

## FLIGHT CASE LID

When opening the flight case, the lid must be locked in place manually. The lid support prop is located on the right-hand side of the flight case, near the power cable storage compartment. The lower end of the prop is fixed to the flight case, and the disconnected upper end contains a cut-out groove.

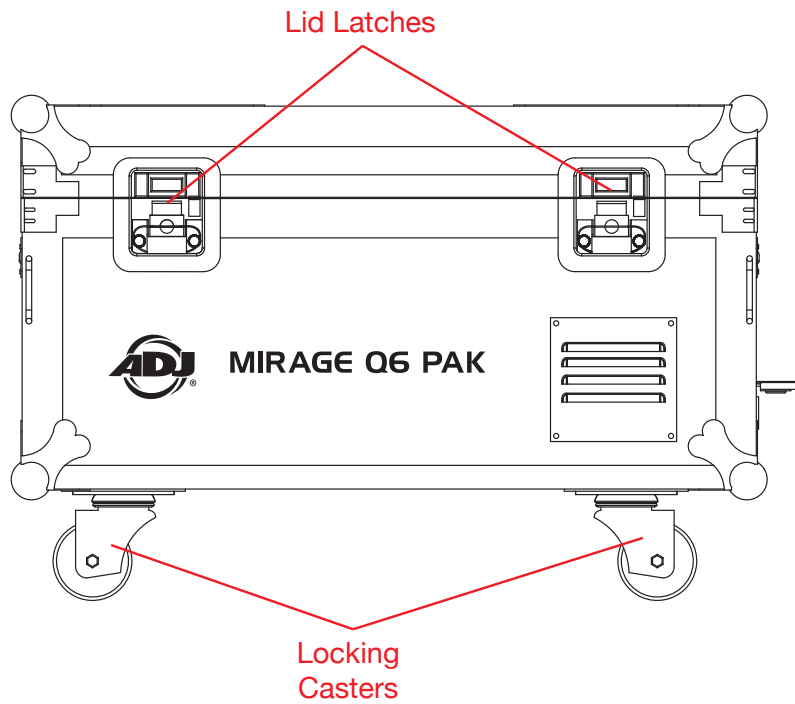
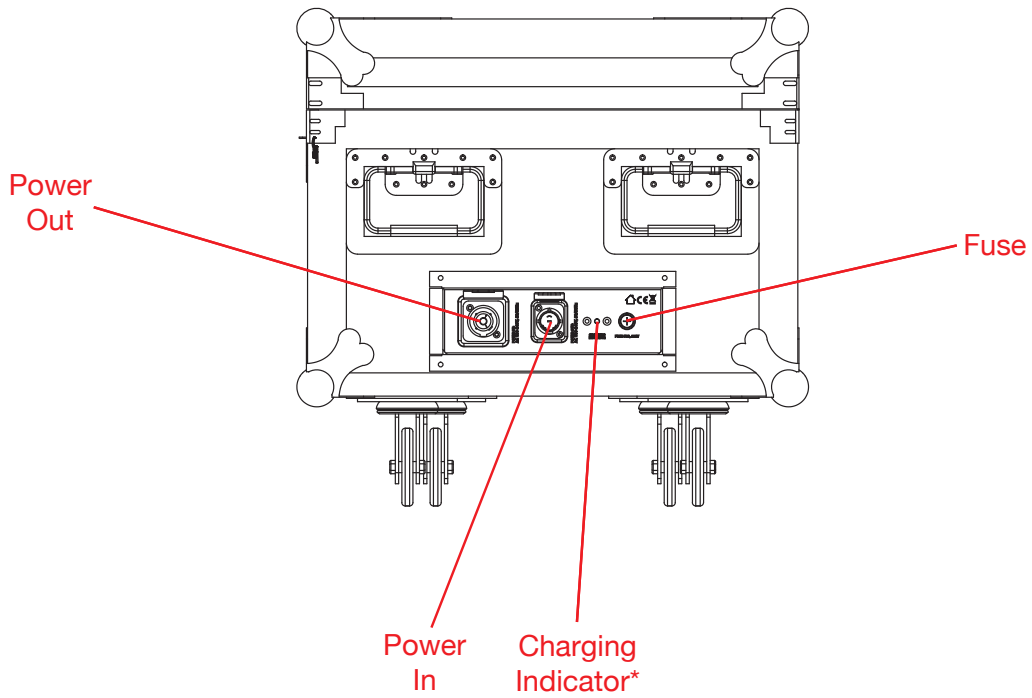
Once the lid has been opened, lift the upper end of the support bar and attach it to the recessed catch on the underside of the lid, along the right-hand side. Make sure that the catch is fully seated in the support bar's groove before reaching into the flight case.

**FAILURE TO PROPERLY FOLLOW THIS PROCEDURE CAN RESULT IN PERSONAL INJURY OR DAMAGE TO THE DEVICE, AS THE LID MAY SWING SHUT WITHOUT WARNING!**



# OVERVIEW

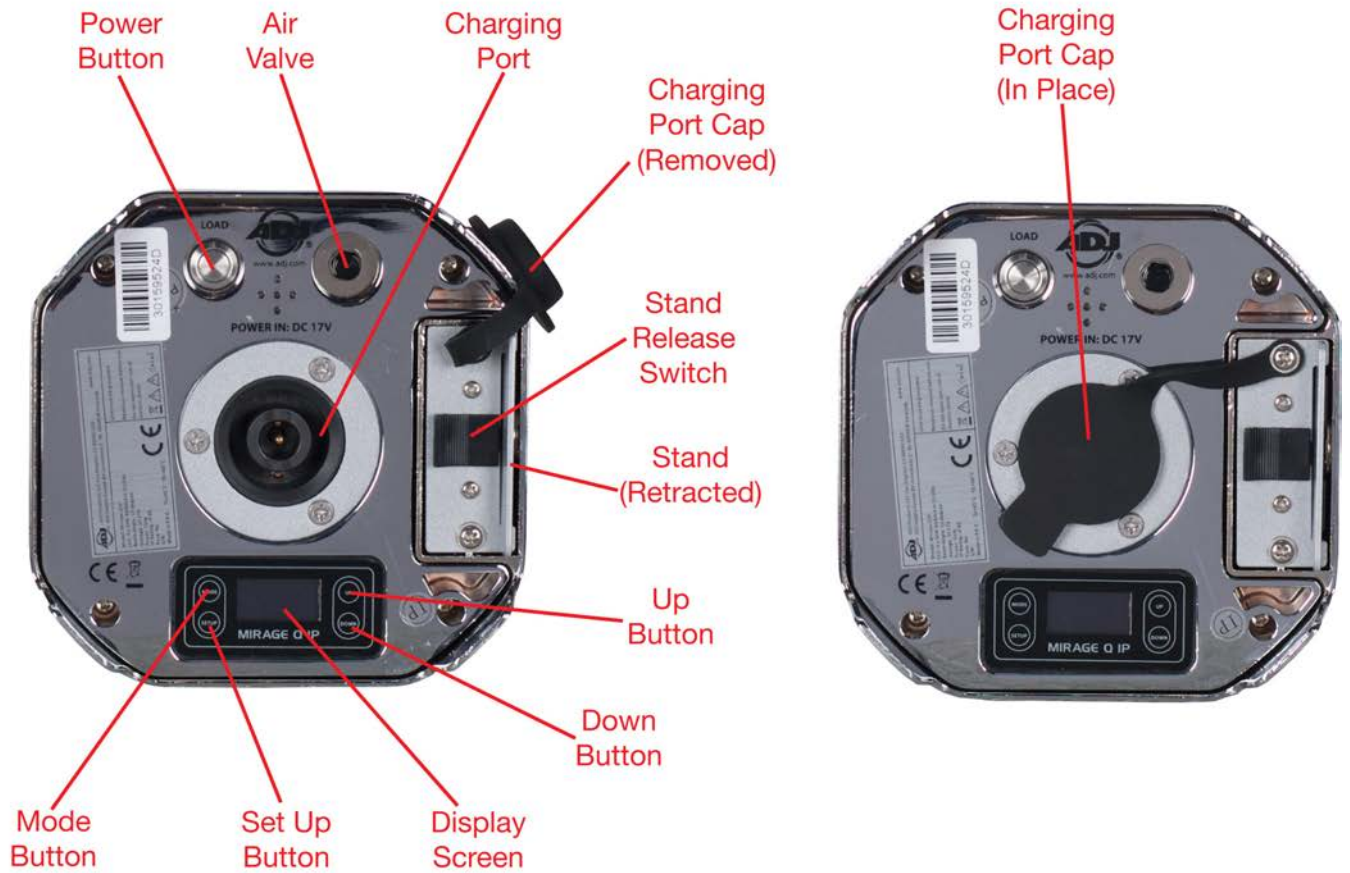
## FLIGHT CASE



**\*Note:** Charge indicator is red when charging, and green when complete. Charge indicator on the case displays charge status of the entire six-unit set. For individual charge status, please refer to the charge indicator on each individual unit.

# OVERVIEW

## LIGHTING FIXTURE



# DMX ADDRESSING

All fixtures should be given a DMX starting address when operating with a DMX controller, in order to ensure that the correct fixture responds to the correct control signal. This digital starting address is the channel number from which the fixture starts to “listen” to the digital control signal sent out from the DMX controller. This starting DMX address is assigned by setting the correct DMX address on the digital control display on the fixture.

You can set the same starting address for all fixtures or a group of fixtures, or set different addresses for each individual fixture. Setting all fixtures to the same DMX address will cause all fixtures to react in the same way. In this case, please note that changing the settings of one channel will affect all the fixtures simultaneously.

If you set each fixture to a different DMX address, each unit will start to “listen” to the channel number you have set, based on the quantity of DMX channels of each fixture. That means changing the settings of one channel will only affect the selected fixture.

As an example, when operating this fixture model in 4 channel mode, you should set the starting DMX address of the first unit to 1, the second unit to 5 (4 + 1), the third unit to 9 (4 + 4 + 1), and so on. (See the chart below for more details.)

<b>Mode canal</b>	<b>Unité 1 Adresse</b>	<b>Unité 2 Adresse</b>	<b>Unité 3 Adresse</b>	<b>Unité 4 Adresse</b>
<b>4-Ch</b>	1	5	9	13
<b>6-Ch</b>	1	7	13	19
<b>7-Ch</b>	1	8	15	22
<b>8-Ch</b>	1	9	17	25
<b>9-Ch</b>	1	10	19	28
<b>10-Ch</b>	1	11	21	31
<b>11-Ch</b>	1	12	23	34
<b>12-Ch</b>	1	13	25	37
<b>15-Ch</b>	1	16	31	46
<b>18-Ch</b>	1	19	37	55

# WIRELESS SETUP (ARIA)

**These devices do not feature physical DMX connector ports. Therefore, in order to utilize DMX control, the user must first set up the devices to run wireless DMX control. Follow the directions below to configure wireless DMX control:**

1. First, select the DMX Channel Mode for that you would like the device to operate in. Press MODE until the the “DMX Settings” menu is displayed on the screen. Use the UP and DOWN buttons to scroll to “DMX Channel Mode,” then press the SETUP button.
2. Use UP and DOWN to scroll through the DMX Channel Mode options, then press SETUP to confirm your selection.
3. Next, enable the device’s ARIA capability. Press MODE until the “PERSONALITY” menu is displayed on the screen, then use UP and DOWN to scroll to “ARIA” and press SETUP.
4. Use UP and DOWN to scroll to “Enable Wireless,” then press SETUP to select this option.
5. Use UP and DOWN once again to toggle this setting to “Yes,” then confirm by pressing SETUP.
6. Next, select the Wireless channel. Press MODE until the “Personality” menu is displayed on the screen again, then use UP and DOWN to scroll to “Wireless Settings” and press SETUP.
7. Use UP and DOWN to scroll to “Set Wireless Channel,” then press SETUP again.
8. Now use UP and DOWN to scroll to your desired Wireless channel. Selectable values range from 00 to 15.
9. Finally, set the DMX address. Press the MODE button until the “DMX Settings” menu is displayed on the screen, then use UP and DOWN to scroll to “DMX Address,” then press SETUP.
10. Use the UP and DOWN buttons to scroll to your desired DMX address, then press SETUP to confirm your selection. Available values range from 001 to 512. Refer to the ***DMX Addressing*** section of this manual for detailed guidance. Repeat these steps for each individual unit that you wish to use.

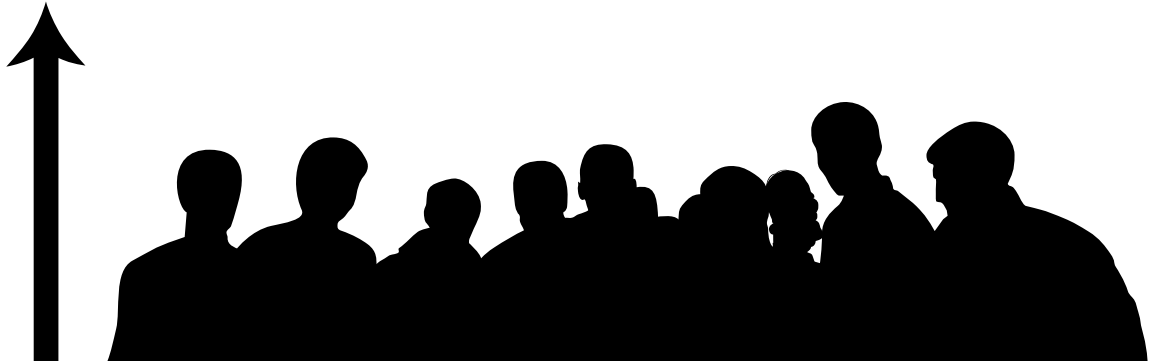
## WIRELESS SETUP (ARIA)

There are many factors that can affect and/or interrupt a wireless signal, including walls, glass, metal, objects, and people. Therefore, the following guidelines are recommended in order to maximize the chances of having a clear path for the wireless signal to reach the device:

- For best results, install the device a minimum of 9.8 ft (3m) above audiences and/or ground level.
- Arrange the wireless antenna in an upright, vertical position.
- Position devices in direct line of sight of the transmitting controller.

Careful planning and testing of the selected installation location is critical to ensure optimum and reliable wireless operation.

**9.8 ft (3m)  
Above Ground**



# UC IR REMOTE

The unit can only be controlled when it has been set to **Primary mode**. The unit will **NOT** respond to commands when it has been set to **Secondary mode**. When using the remote to control multiple units that are operating in primary/secondary mode, follow these steps to set up the units:

1. Power on the unit, and press MODE to scroll to the “Personality” menu.
2. Press SETUP, then use the UP and DOWN buttons to scroll to “Primary” or “Secondary” depending on the how you would like this unit to operate. Press SETUP to make your selection, and then use the UP and DOWN buttons to switch the option to ON.
3. Press SETUP to confirm and return to the “Personality” menu.
4. Use UP and DOWN to scroll to “Wireless Settings” and select “Set Wireless Channel.” Press SETUP and use UP and DOWN to set the unit to your desired Wireless channel. Repeat these steps for each unit. Please note that all units should be set to the same Wireless channel.

## NOTES:

- Only one unit should be configured as the primary, while all the other units should be configured as secondaries.
- All units in the system should be set to the same wireless channel. If all units are set to the same wireless channel, and the units do not sync up and/or respond to commands, try using a different wireless channel.
- All units should be set to the same DMX channel mode.
- If fixtures fail to sync, verify that all settings mentioned above are the same, then power all devices off, then switch them on again to re-establish the link.

## UC IR24 CONTROLS

- **On:** Fixture turns on and reverts to the last running state
- **Off:** Fixture goes into stand by mode in a blackout state.
- **Strobe:** Activates strobe mode. The strobe rate can be adjusted using the + / - buttons.
- **Sound:** This button has no defined function for this unit.
- **Color:** Activates color mode. Select a static color (0-15) using the number keys. The intensity for the set color can then be adjusted with the +/- buttons.
- **Program:** Activates program mode. Select an internal program (0-15) using the number keys. The selected program run speed can be adjusted with the +/- buttons. *Note: 13 of the 15 buttons will activate a program for this unit.*
- **+ and - buttons:** Adjusts strobe rate, mic sensitivity, intensity, or program run speed. The +/- buttons can be repeatedly pressed to increase or decrease by individual level increments, or pressed and held to quickly make large adjustments at once.
- **Number Keys (0-15):** These buttons are used to select preset static colors and internal programs. Colors stored in the number keys can be edited from the units menu if desired.



# INSTALLATION

## IP RATING

The Mirage Q IP is **IP65** rated. It is completely dust tight, and is protected against low-pressure directed jets of water from any direction. **Note that the charging base is NOT protected against moisture or dust intrusion of any kind, and should be used only in a dry, indoor setting!**

## FLAMMABLE MATERIAL WARNING!

Keep device a minimum of 5.0 feet (1.5m) away from flammable material and/or pyrotechnics.

## ELECTRICAL CONNECTIONS

A qualified electrician should be used for all electrical connections and/or installations.

## DO NOT INSTALL THE DEVICE IF YOU ARE NOT QUALIFIED TO DO SO!

The unit **MUST** be installed following all local, national, and country commercial electrical and construction codes and regulations.

Before installing or mounting any device, a professional equipment installer **MUST** be consulted to determine whether the mounting structure or surface is properly certified to safely support the combined weight of the fixture, clamps, cables, and accessories.

Operating temperature range is **32 to 113 degrees F (0 to 45 degrees C)**. Do not operate the device if ambient temperatures fall outside of this range.

This fixture should be installed in areas outside walking paths, seating areas, and areas where unauthorized personnel might be able to reach the device by hand.

**NEVER** stand directly below the fixture when rigging, removing, or servicing.

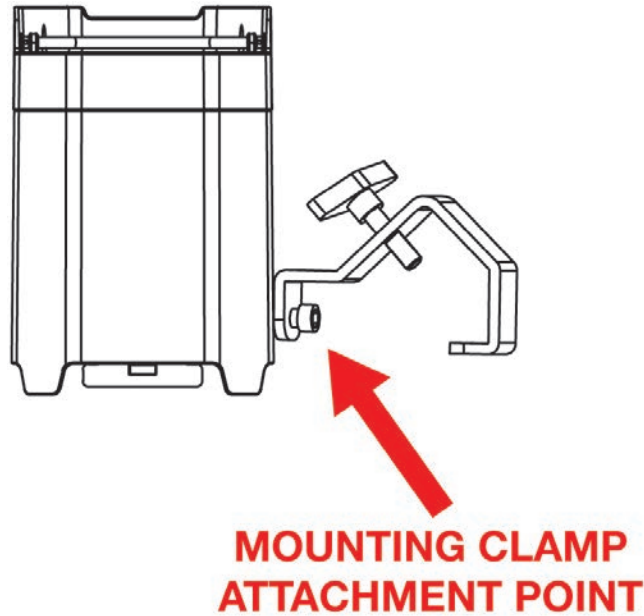
Allow approximately 15 minutes for the fixture to cool down before servicing.



# INSTALLATION

## CLAMP INSTALLATION

The Mirage Q IP features a mounting clamp attachment point on the side of the device (see the illustration below). When mounting the fixture to a truss or any other suspended or overhead installation, be sure to secure appropriately rated clamps (not included) to the clamp attachment point.



## RIGGING

Overhead rigging requires extensive experience, including but not limited to: calculating working load limits, understanding the installation material being used, and periodic safety inspection of all installation material and the fixture itself. If you lack these qualifications, do not attempt to perform the installation yourself. Improper installation can result in bodily injury.

## CHARGING PORT CAP

In order to maintain IP65 integrity, the charge port of each device must be sealed off using the attached rubber cap when the charging port is not in use.



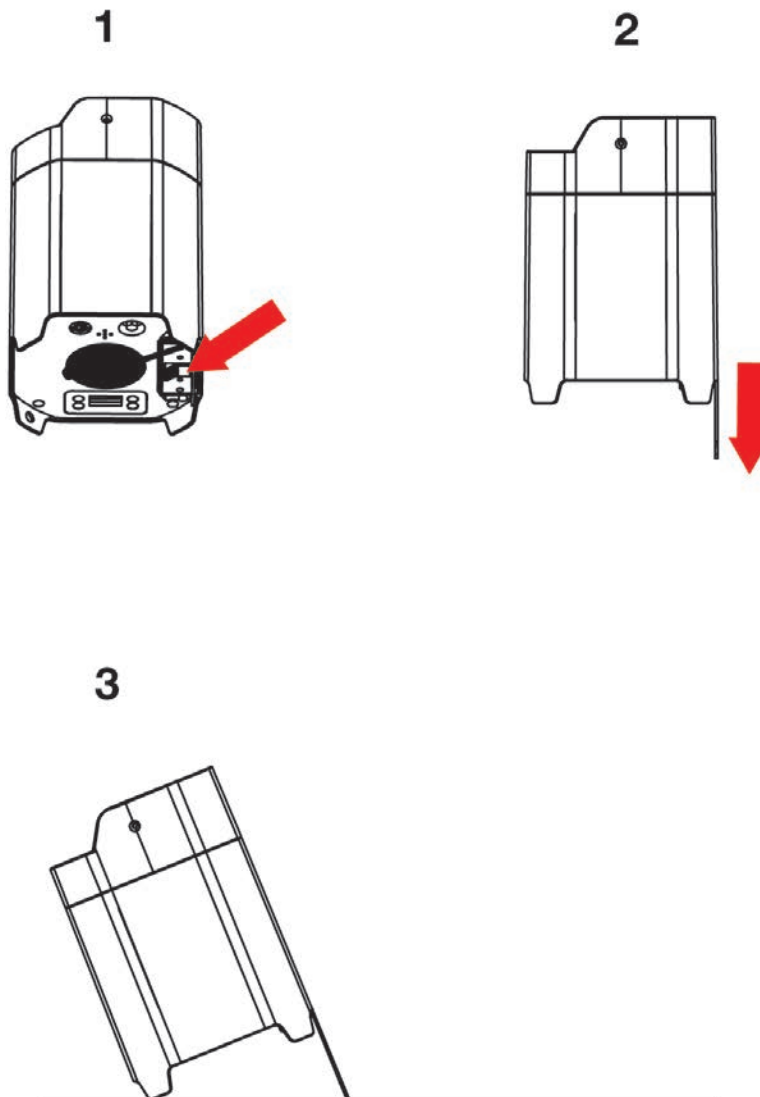
# INSTALLATION

## KICKSTAND FOR FLOOR PLACEMENT

The Mirage Q IP can also be placed on the floor to provide an upright display, and features a retractable kickstand that allows the device to be angled in the direction of the desired display. **Make sure that the rubber cap is secured over the charge port to maintain the device's IP65 rating.**

To deploy the kickstand, simply toggle the switch on the underside of the device, near the power charging port (1). The kickstand can then be deployed from the underside (2) at various notched increments, allowing a maximum angle of 35 degrees from the vertical axis (3).

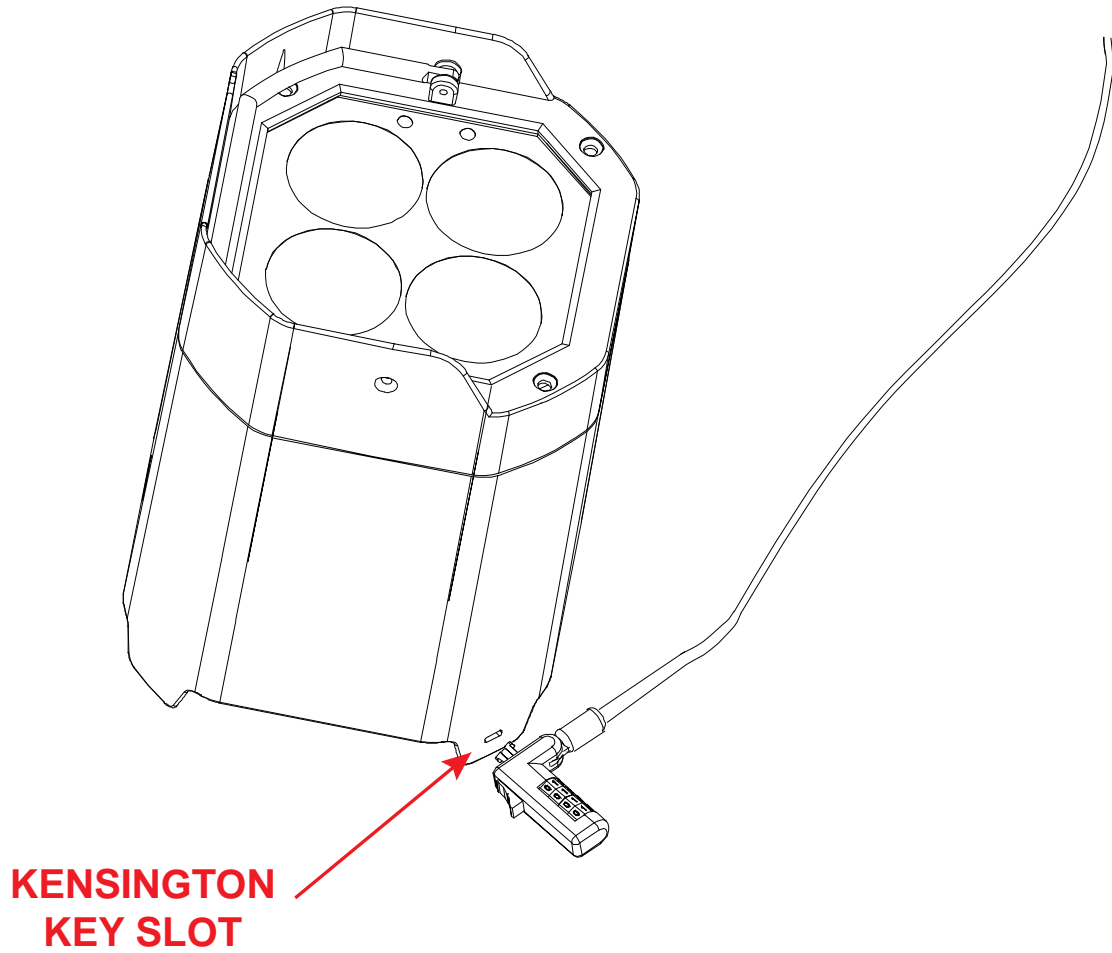
**Note: If set and activated, the alarm will be triggered by any movement of the device, including knocking over the device. The alarm will sound and the device will strobe red for the amount of time that was set in the "Alarm Time" setting, but will automatically stop when the device is returned to its place. Please be aware of this feature in the event that you decide to re-locate or re-position the device after the initial setup!**



# INSTALLATION

## KENSINGTON KEY SLOT

The device features a slot for a Kensington-type security device that can be used to prevent theft. The key slot is located near the bottom of one of the device's feet, as shown in the illustration below. Be sure to attach the security device to a sturdy, fixed anchor point.



## IN-CASE CHARGING

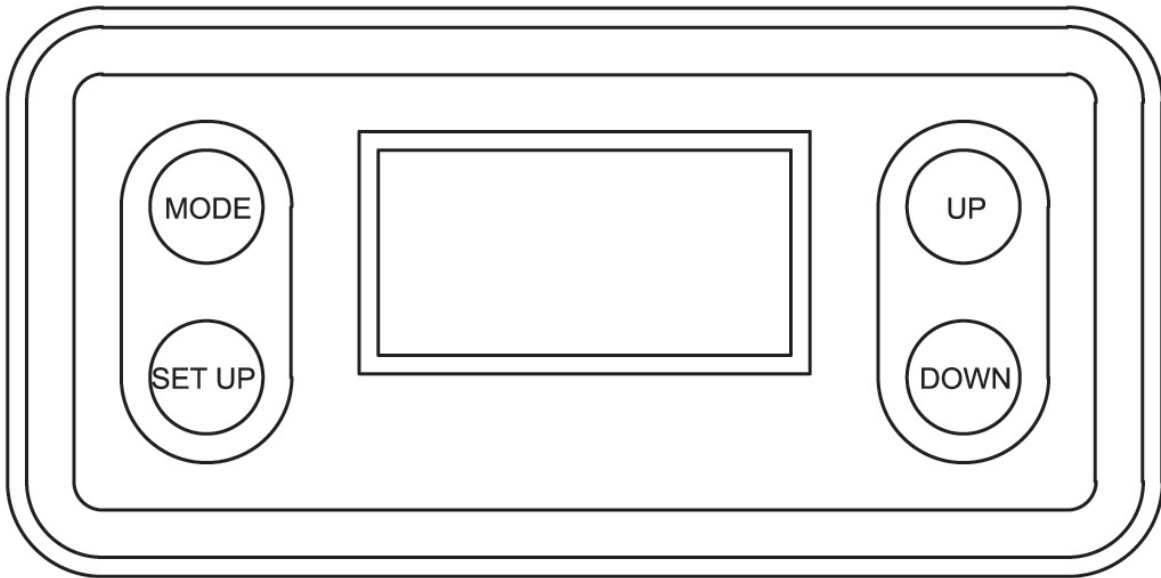
1. Lock the wheel casters by pressing down on the levers located near each caster.
2. Connect power cables to both the power in and power out ports, if desired. Please refer to the **Daisy Chain Power Linkage** section of this manual for details.
3. Remove the rubber cap from the charging port for each unit. **NOTE: It is recommended to fold the rubber cap back and over the closest CORNER of the device before placing it into its charging slot in the flight case. Refer to the top left image below.**
  - When placing the fixture in the case slot, the rubber cap should tuck neatly into the gap in the corner of the slot (see bottom image).
  - Do NOT fold the rubber caps back over the side edges of the unit, as the device will not fit in the flight case compartment this way. Refer to the top right image below.
  - Do NOT allow the rubber cap to get caught underneath the device, as this will interfere with the charging of the device.





4. Place an ADJ Mirage Q IP device in any of the device slots in the flight case. Up to 6 devices can be accommodated. The charge indicator located beside the power ports will illuminate to indicate that your device is charging. **It is strongly recommended to leave the case lid open during charging.**

# SYSTEM MENU





This fixture includes an easy to navigate control panel display, from which all necessary settings and adjustments can be made. Press the **MODE** button to scroll through the main menu options, then press **SET UP** to select the currently displayed option. Then use the **UP** and **DOWN** buttons to scroll through the sub-menu options until reaching the desired setting. Press the **MODE** button at any time to return to the main menu without making any adjustments.





# SYSTEM MENU - ENGLISH

MAIN MENU	OPTIONS / VALUES (Default Settings in <b>BOLD</b> )		VALUES/DESCRIPTION	
<b>DMX Settings</b> 	DMX Address	<b>001</b> - 512		
	DMX Channel Mode	4ch, 6ch, 7ch, 8ch, 9Ach, 9Bch, 10ch, 11ch, 11ch, 12ch, 15ch, 18ch		
	No DMX Status	<b>Hold Last</b>		Holds last DMX values.
		Blackout		Takes all channels to 0.
		Manual Settings		Takes all channels to last manual settings.
Internal Programs		Takes unit to last set internal program.		
<b>Personality</b> 	Prim/Sec Mode	Primary / <b>Secondary</b>		
	Aria	Aria Enable	<b>ON/OFF</b>	
		Frequency	<b>2.4Ghz.</b>	
			Sub-G US	
			Sub-G EU	
		2.4-G CH		<b>00~15</b>
		Sub-G CH		<b>00~09</b>
		Mesh		<b>ON/OFF</b>
	Bluetooth Enable		<b>ON/OFF</b>	
	Dim Modes	<b>Standard</b> , Stage, TV, Architectural, Theatre, Stage 2		
		Dim Delay	0-99	
	Display (Passcode <b>050</b> )	Screen Saver Delay	Off, <b>1-10s</b>	
		Touch Screen Lock	Off, <b>30 seconds</b> , 1 minute	
		Rotate Display 180	Yes / <b>No</b>	
	Language	(Passcode <b>050</b> )	<b>English</b> / Spanish	
	IR Button Colors	Button 0	Red 000 - 255	
			Green 000 - 255	
			Blue 000 - 255	
			Amber 000 - 255	
		...	...	
		Button 15	Red 000 - 255	
Green 000 - 255				
Blue 000 - 255				
Amber 000 - 255				
Alarm (Passcode <b>011</b> )	<b>On / Off</b>		Off or Alarm will sound and unit strobes red for selected alarm time	
	Alarm Time	<b>10s</b> / 20s / 30s / 40s / 60s		
Service (Passcode <b>011</b> )	Factory Restore	Yes / <b>No</b>		

# SYSTEM MENU - ENGLISH





MAIN MENU	OPTIONS / VALUES (Default Settings in <b>BOLD</b> )			DESCRIPTION	
<b>Manual Control</b> 	Red	<b>000-255</b>			
	Green	<b>000-255</b>			
	Blue	<b>000-255</b>			
	Amber	<b>000-255</b>			
	Color Macros	<b>000-255</b>			
	Color Temperature 2300-9900K Linear	<b>000-255</b>			
	Color Temp Presets	<b>Off</b> , 2300k, 2400k, 2500k, 2600k... 9900k			
	Shutter	<b>000-255</b>			
	Dimmer	<b>000-255</b>			
	Internal Programs	<b>Off</b> , Prog 0, Prog 1... Prog 13			
	Internal Programs Speed	<b>000-255</b>	1-255	127	
	Internal Programs Fade	<b>000-255</b>	0-255	0	
	<b>Internal Programs</b> 	Program 0	Speed	1-16	127
Fade			0-16	0	Run w/fade setting, 0-16, 0 (NO fade) to 16 max. w/o sound function.
Sound			<b>ON / OFF</b>		Unit runs to sound via build-in mic.
Program 1		Speed	1-16	127	
		Fade	0-16	0	
		Sound	<b>ON / OFF</b>		
Program 2		Speed	1-16	127	
		Fade	0-16	0	
		Sound	<b>ON / OFF</b>		
Program 3		Speed	1-16	127	
		Fade	0-16	0	
		Sound	<b>ON / OFF</b>		
...		...			
Program 13		Speed	1-16	127	
		Fade	0-16	0	
	Sound	<b>ON / OFF</b>			
<b>Information</b> 	LED Temperature	xxx F / xxx C			
	Aria ID	xx:xx:xx:xx:xx:xx			
	Software Version	<a href="#">x.xx</a>			
<b>Battery</b> 	Charging Time	xx Hours		Time to full charge	
	Current Life	xxx%		Remaining life	
	Operation Mode	Standard 2		2 hour operation	
		<b>Saver 4</b>		4 hour operation	
	Saver 6		6 hour operation		

# SYSTEM MENU - SPANISH

MAIN MENU	OPTIONS / VALUES (Default Settings in <b>BOLD</b> )		DESCRIPTION	
<b>Configuracion DMX</b> 	Direccion DMX	<b>001</b> - 512		
	Modo Canales DMX	4ch, 6ch, 7ch, 8ch, <b>9Ach</b> , 9Bch, 10ch, 11ch, 11ch, 12ch, 15ch, 18ch		
	Estado DMX	<b>Tener Ultimo</b>		Guarda los últimos valores DMX.
		Apagon		Pone todos los canales a 0.
		Configuracion Manual		Lleva todos los canales a la última configuración manual.
Programas Internos			Lleva la unidad al último programa interno establecido.	
<b>Personalidad</b> 	Primario / Secundario	<b>ON / OFF</b>		
	Configuracion Aria	Activar Aria	<b>ON/OFF</b>	
		Eligir la frecuencia de radio Aria	<b>2.4Ghz.</b>	
			Sub-G US	
			Sub-G EU	
		Eligir el canal Aria 2.4Ghz	<b>00~15</b>	
		Eligir el canal Aria Sub-G	<b>00~09</b>	
		Eligir Mesh de Aria	<b>ON/OFF</b>	
	Activar Bluetooth	<b>ON/OFF</b>		
	Dim Modos	<b>Standard</b> , Stage, TV, Architectural, Theatre, Stage 2		
		Dim Delay	0-99	
	Monitor (Codigo de acceso <b>050</b> )	Retraso del protector de pantalla	Off, <b>1-10s</b>	
		Bloqueo de pantalla tactil	Off, <b>30 seconds</b> , 1 minute	
		Girar la pantalla 180	Yes / <b>No</b>	
	Idioma	(Codigo de acceso 050)	<b>English</b> / Spanish	
	Colores del botón de control IR	Botón 0	Red 000 - 255	
			Green 000 - 255	
			Blue 000 - 255	
			Amber 000 - 255	
		...	...	
Botón 15		Red 000 - 255		
		Green 000 - 255		
		Blue 000 - 255		
	Amber 000 - 255			
Alarma (Codigo de acceso <b>011</b> )	<b>On / Off</b>		Off or Alarm will sound and unit strobes red for selected alarm time	
	Tiempo de sonido	<b>10s</b> / 20s / 30s / 40s / 60s		
Servicio (Codigo de acceso <b>011</b> )	Restauracion de fabrica	Yes / <b>No</b>		

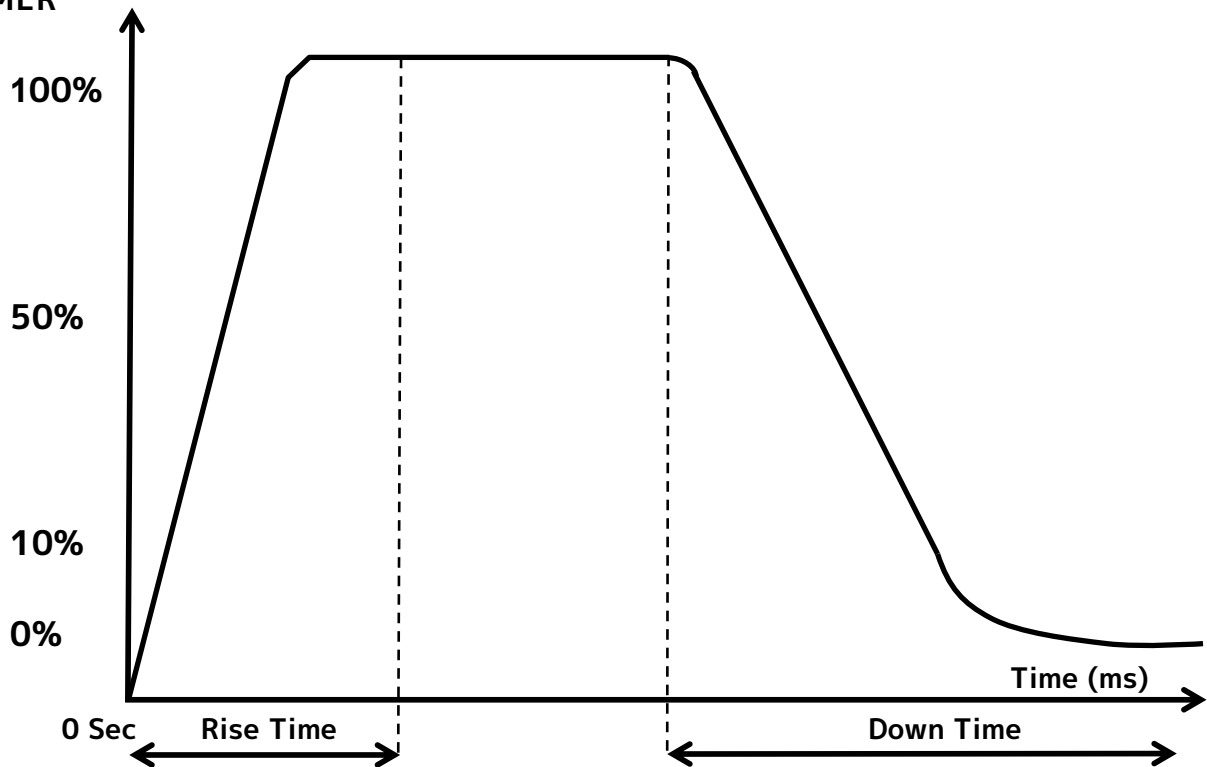


# SYSTEM MENU - SPANISH

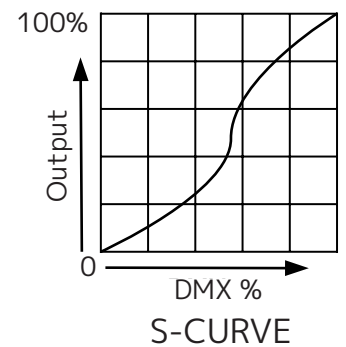
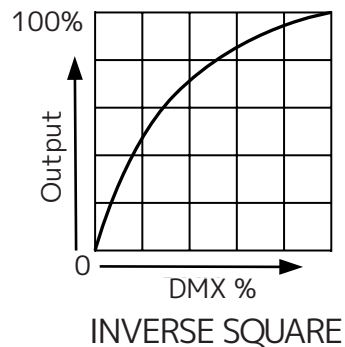
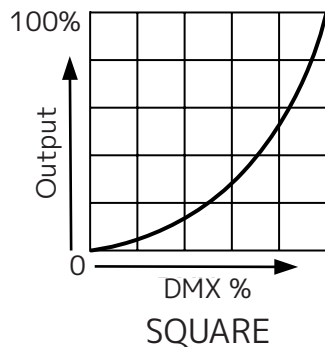
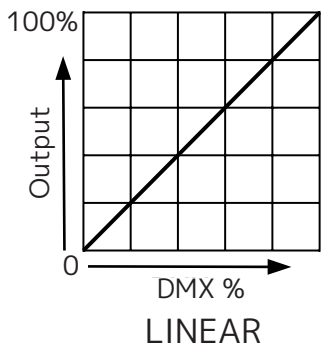
MAIN MENU	OPTIONS / VALUES (Default Settings in <b>BOLD</b> )			DESCRIPTION	
<b>Manual Control</b> 	Rojo	<b>000-255</b>			
	Verde	<b>000-255</b>			
	Azul	<b>000-255</b>			
	Ambar	<b>000-255</b>			
	Macros de Color	<b>000-255</b>			
	Temperatura de Color 2300-9900K Lineal	<b>000-255</b>			
	Preajustes de Temperatura de Color	<b>Off</b> , 2300k, 2400k, 2500k, 2600k... 9900k			
	Shutter	<b>000-255</b>			
	Dimmer	<b>000-255</b>			
	Internal Programs	<b>Off</b> , Prog 0, Prog 1... Prog 13			
	Internal Programs Speed	<b>000-255</b>	1-255	127	
	Internal Programs Fade	<b>000-255</b>	0-255	0	
<b>Programas Internos</b> 	Programa 0	Velocidad	1-16	127	Ejecutar con ajuste de velocidad 1-16 de más lento a más rápido sin función de sonido
		Descolorarse	0-16	0	Ejecutar con configuración de fundido, 0-16, 0 (SIN fundido) a 16 máx. sin función de sonido
		Sonar	<b>ON / OFF</b>		La unidad suena a través del micrófono incorporado.
	Programa 1	Velocidad	1-16	127	
		Descolorarse	0-16	0	
		Sonar	<b>ON / OFF</b>		
	Programa 2	Velocidad	1-16	127	
		Descolorarse	0-16	0	
		Sonar	<b>ON / OFF</b>		
	Programa 3	Velocidad	1-16	127	
		Descolorarse	0-16	0	
		Sonar	<b>ON / OFF</b>		
	...	...			
	Programa 13	Velocidad	1-16	127	
		Descolorarse	0-16	0	
Sonar		<b>ON / OFF</b>			
<b>Informacion</b> 	Temperatura de los LED's	xxx F / xxx C			
	Aria ID	xx:xx:xx:xx:xx:xx			
	Version de software	<u>x.xx</u>			
<b>Bateria</b> 	Tiempo de carga	xx horas		Tiempo de carga completa	
	Cargar	xxx%		Vida restante	
	Modos de operacion	Estandar 2		Operación de 2 horas	
		<b>Ahorrador 4</b>		Operación de 4 horas	
	Ahorrador 6		Operación de 6 horas		

# DIMMER CURVES

DIMMER



Dimming Curve Ramp Effect	0 sec Fade Time		1 sec Fade Time	
	Rise Time (ms)	Down Time (ms)	Rise Time (ms)	Down Time (ms)
Standard (default)	0	0	0	0
Stage	780	1100	1540	1660
TV	1180	1520	1860	1940
Architectural	1380	1730	2040	2120
Theatre	1580	1940	2230	2280
Stage 2	0	1100	0	1660



# DMX TRAITS

CHANNEL											VALUE	FUNCTION		
4Ch	6Ch	7Ch	8Ch	9ACh	9BCh	10Ch	11Ch	12Ch	15Ch	18Ch				
1	1	1	1	1	1	1	1	1	1	1	0-255	All Red, 0~100%		
			2							2	0-255	All Red Fine 16-bit		
2	2	2	3	2	2	2	2	2	2	3	0-255	All Green, 0~100%		
			4							4	0-255	All Green Fine 16-bit		
3	3	3	5	3	3	3	3	3	3	5	0-255	All Blue, 0~100%		
			6							6	0-255	All Blue Fine 16-bit		
4	4	4	7	4	4	4	4	4	4	7	0-255	All Amber, 0~100%		
			8							8	0-255	All Amber Fine 16-bit		
					5		5	5	5	9	0-255	Color Macros, 0~100%		
					6	5	6	6	6	10	0-255	Color Temperature 2300-9900K Linear, 0~100%		
												<b>Shutter, Strobe</b>		
											0-31	LEDs Off		
											32-63	LEDs On		
											64-95	Strobe effect slow to fast		
	5	5		5	7	6	7	7	7	11	96-127	LEDs On		
											128-159	Pulse-effect in sequences		
											160-191	LEDs On		
											192-223	Random strobe effect slow to fast		
											224-255	LEDs On		
	6	6		6	8	7	8	8	8	12	0-255	<b>Dimmer (Intensity)</b> , Intensity 0 to 100%		
					9	8	9	9	9		0-255	<b>Dimmer Fine 16-bit</b>		
												<b>Auto programs:</b>		
											0-10	Off		
											11-26	Auto Program 1		
											27-43	Auto Program 2		
											44-60	Auto Program 3		
											61-76	Auto Program 4		
											77-93	Auto Program 5		
				7						10	94-110	Auto Program 6		
											111-126	Auto Program 7		
											127-143	Auto Program 8		
											144-160	Auto Program 9		
											161-176	Auto Program 10		
											177-193	Auto Program 11		
											194-210	Auto Program 12		
											211-226	Auto Program 13		
											227-255	No Function		
				8						11	14	0-255	<b>Auto Programs Speed</b> , Slow to Fast	
				9							12	15	0-255	<b>Auto Programs Fade</b> , Less to More
													<b>Dim Mode</b>	
												0-20	Standard	
												21-40	Stage	
												41-60	TV	
		7								10	13	16	61-80	Architectural
													81-100	Theatre
													101-120	Stage 2
													121-140	Dim Speed from Fast to Slow (0.1-10s)
													141-255	Default to Unit Setting



# COLOR MACROS

Color	DMX Value	RGBW COLOR INTENSITY				Color	DMX Value	RGBW COLOR INTENSITY			
		RED	GREEN	BLUE	W/A			RED	GREEN	BLUE	WHITE
Off	0	0	0	0	0	Color Macro 33	129-132	255	206	143	0
Color Macro 1	1-4	80	255	234	80	Color Macro 34	133-136	254	177	153	0
Color Macro 2	5-8	80	255	164	80	Color Macro 35	137-140	254	192	138	0
Color Macro 3	9-12	77	255	112	77	Color Macro 36	141-144	254	165	98	0
Color Macro 4	13-16	117	255	83	83	Color Macro 37	145-148	254	121	0	0
Color Macro 5	17-20	160	255	77	77	Color Macro 38	149-152	176	17	0	0
Color Macro 6	21-24	223	255	83	83	Color Macro 39	153-156	96	0	11	0
Color Macro 7	25-28	255	243	77	77	Color Macro 40	157-160	234	139	171	0
Color Macro 8	29-32	255	200	74	74	Color Macro 41	161-164	224	5	97	0
Color Macro 9	33-36	255	166	77	77	Color Macro 42	165-168	175	77	173	0
Color Macro 10	37-40	255	125	74	74	Color Macro 43	169-172	119	130	199	0
Color Macro 11	41-44	255	97	77	71	Color Macro 44	173-176	147	164	212	0
Color Macro 12	45-48	255	74	77	71	Color Macro 45	177-180	88	2	163	0
Color Macro 13	49-52	255	83	134	83	Color Macro 46	181-184	0	38	86	0
Color Macro 14	53-56	255	93	182	93	Color Macro 47	185-188	0	142	208	0
Color Macro 15	57-60	255	96	236	96	Color Macro 48	189-192	52	148	209	0
Color Macro 16	61-64	238	93	255	93	Color Macro 49	193-196	1	134	204	0
Color Macro 17	65-68	163	87	255	87	Color Macro 50	197-200	0	145	212	0
Color Macro 18	69-72	150	90	255	90	Color Macro 51	201-204	0	121	192	0
Color Macro 19	73-76	100	77	255	77	Color Macro 52	205-208	0	129	184	0
Color Macro 20	77-80	77	100	255	77	Color Macro 53	209-212	0	83	115	0
Color Macro 21	81-84	67	148	255	67	Color Macro 54	213-216	0	97	166	0
Color Macro 22	85-88	77	195	255	77	Color Macro 55	217-220	1	100	167	0
Color Macro 23	89-92	77	234	255	77	Color Macro 56	221-224	0	40	86	0
Color Macro 24	93-96	158	255	144	144	Color Macro 57	225-228	209	219	182	0
Color Macro 25	97-100	255	251	153	153	Color Macro 58	229-232	42	165	85	0
Color Macro 26	101-104	255	175	147	147	Color Macro 59	233-236	0	46	35	0
Color Macro 27	105-108	255	138	186	138	Color Macro 60	237-240	8	107	222	0
Color Macro 28	109-112	255	147	251	147	Color Macro 61	241-244	255	0	0	0
Color Macro 29	113-116	151	135	255	138	Color Macro 62	245-248	0	255	0	0
Color Macro 30	117-120	99	0	255	100	Color Macro 63	249-252	0	0	255	0
Color Macro 31	121-124	138	169	255	138	Color Macro 64	253-255	0	0	0	255
Color Macro 32	128-128	255	255	255	255						

# COLOR TEMPERATURE

Colors shown are an approximate representation. <https://www.luxalight.eu/en/cie-convector>

DMX VALUE	COLOR TEMPERATURE (K)	DMX VALUE	COLOR TEMPERATURE (K)
23	2300	62	6200
24	2400	63	6300
25	2500	64	6400
26	2600	65	6500
27	2700	66	6600
28	2800	67	6700
29	2900	68	6800
30	3000	69	6900
31	3100	70	7000
32	3200	71	7100
33	3300	72	7200
34	3400	73	7300
35	3500	74	7400
36	3600	75	7500
37	3700	76	7600
38	3800	77	7700
39	3900	78	7800
40	4000	79	7900
41	4100	80	8000
42	4200	81	8100
43	4300	82	8200
44	4400	83	8300
45	4500	84	8400
46	4600	85	8500
47	4700	86	8600
48	4800	87	8700
49	4900	88	8800
50	5000	89	8900
51	5100	90	9000
52	5200	91	9100
53	5300	92	9200
54	5400	93	9300
55	5500	94	9400
56	5600	95	9500
57	5700	96	9600
58	5800	97	9700
59	5900	98	9800
60	6000	99	9900
61	6100		

# IR DEFAULT RGBA VALUES

<b>BUTTON</b>	<b>RED</b>	<b>GREEN</b>	<b>BLUE</b>	<b>AMBER</b>
0	255	255	255	255
1	255	0	0	0
2	0	255	0	0
3	0	0	255	0
4	255	46	0	0
5	0	255	28	0
6	17	0	75	0
7	255	83	0	63
8	0	255	52	0
9	32	0	75	22
10	0	0	0	255
11	0	114	160	0
12	100	0	97	0
13	255	255	0	255
14	0	75	136	0
15	146	0	80	0

# CLEANING & MAINTENANCE

**WARNING! DISCONNECT UNIT FROM POWER BEFORE PERFORMING ANY CLEANING OR MAINTENANCE PROCEDURES!**

**ALWAYS ALLOW THE FIXTURE TO COOL FOR AT LEAST 15 MINUTES BEFORE PERFORMING ANY CLEANING OR MAINTENANCE!**

## CLEANING

Frequent cleaning is recommended to ensure proper function, optimized light output, and an extended life. The frequency of cleaning depends on the environment in which the fixture operates: damp, smoky, or particularly dirty environments can cause greater accumulation of dirt on the fixture's optics. Clean periodically with a soft cloth to avoid dirt/debris accumulation.

**NEVER** use alcohol, solvents, or ammonia-based cleaners.

## MAINTENANCE

Regular inspections are recommended to ensure proper function and extended life. There are no user serviceable parts inside this fixture. Please refer all other service issues to an authorized ADJ service technician. Should you need any spare parts, please order genuine parts from an authorized ADJ dealer.

Please refer to the following points during routine inspections:

- A detailed electrical check by an approved electrical engineer every three months, to make sure the circuit contacts are in good condition and prevent overheating.
- Be sure all screws and fasteners are securely tightened at all times. Loose screws may fall out during normal operation, resulting in damage or injury as larger parts could fall.
- Check for any deformations on the housing, color lenses, rigging hardware and rigging points (ceiling, suspension, trussing). Deformations in the housing could allow for dust to enter into the fixture. Damaged rigging points or unsecured rigging could cause the fixture to fall and seriously injure a person(s).
- Electric power supply cables must not show any damage, material fatigue, or sediments.



# TORQUE SETTINGS

IN ORDER TO MAINTAIN THE IP65 RATING ON THE LIGHTING FIXTURES, ALL SCREWS MUST BE TIGHTENED TO THE FOLLOWING TORQUE SPECIFICATION USING A TORQUE DRIVER.

These screws must be torqued to *11.3 lb-in (13.0 kg-cm)*.

**TORQUE DRIVERS (Recommended):** UTICA TS-30 (shown)

**ALTERNATE DRIVERS:**

- Proto J6107A
- Wiha 28887



**CAUTION! DO NOT OVER TORQUE SCREWS AS THIS CAN CAUSE LEAKAGE ISSUES! TO CONFIRM THE IP65 INTEGRITY AFTER A LAMP REPLACEMENT, TEST THE FIXTURE USING THE ELATION IP TESTER. CONTACT ELATION SERVICE FOR MORE DETAILS.**



**CAUTION! THE USE OF PROTECTIVE GLOVES AND SAFETY GOGGLES IS STRONGLY RECOMMENDED WHILE PERFORMING THE IP PRESSURE TEST! AVOID PLACING YOUR FACE, EYES, HANDS, ETC IN CLOSE PROXIMITY TO THE FIXTURE'S LENS WHILE PERFORMING THE TEST!**



IP PRESSURE TESTING PARAMETERS		
Low Pressure Limit	High Pressure Limited	Steady/Hold Time
1.65 psi (11.4 KPa)	1.70 psi (11.7 KPa)	3 sec

# BATTERY LIFE

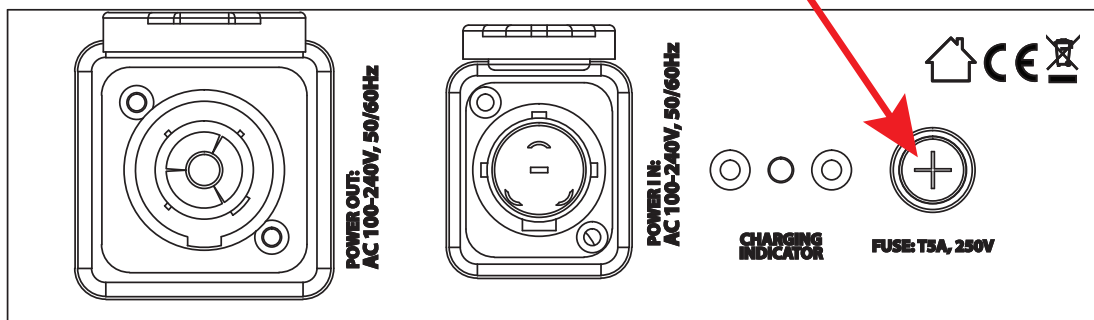
Following any software update, the battery life information setting must be reset before it will display accurate information. This can be done by following the steps below:

1. Navigate to Battery > Operation Mode in the system menu and make sure that the device is set to either Standard 6 or Saver 10.
2. Navigate to Battery > Current Life in the system menu.
3. Press and hold the UP button until the device flashes amber once. The device should now display an accurate battery life reading.

# FLIGHT CASE FUSE REPLACEMENT

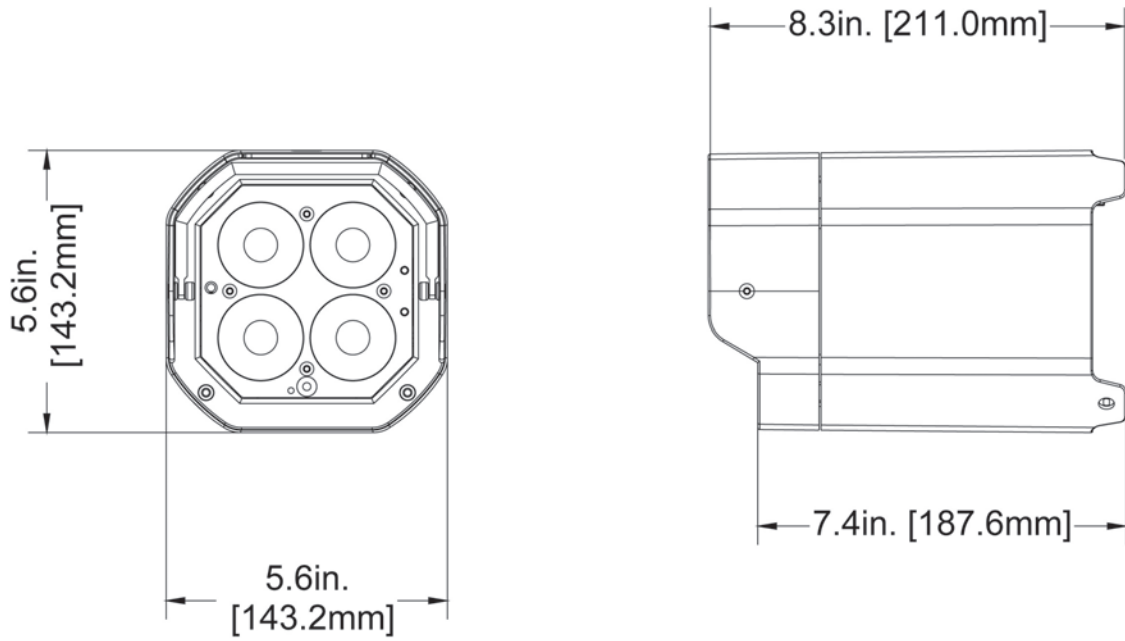
The flight case features a replaceable fuse. To replace, disconnect the flight case from the power source, then use a screw driver to unscrew the fuse holder located beside the power ports. Remove the bad fuse and replace with a new one, then screw the fuse holder back in. Replace only with a new fuse of the same type and rating.

**FUSE**

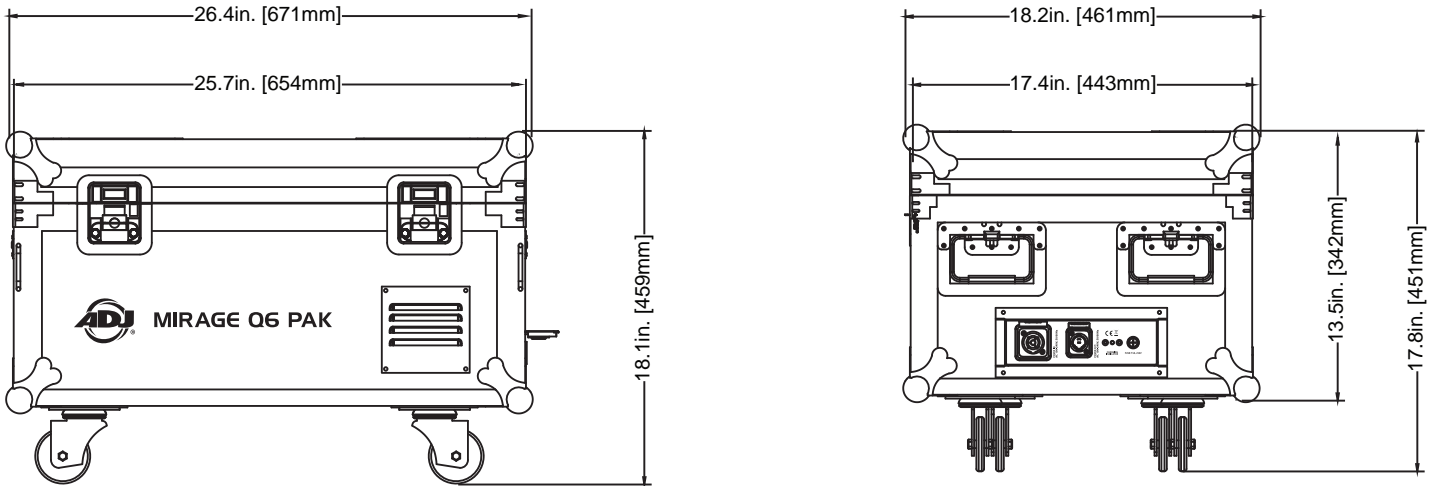


# DIMENSIONAL DRAWINGS

## MIRAGE Q IP



## MIRAGE Q IP FLIGHT CASE



# SPECIFICATIONS

## MIRAGE Q6 PAK INCLUDES:

- (6) MIRAGE Q6 IP Fixtures
- (1) MIRAGE Q6 FC Flight Case
- (6) MIRAGE Q6 IPCB Charging bases and power supplies
- (1) UCIR24 Wireless Infrared Controller
- (1) IP65 Locking Power Cable

## MIRAGE Q6 PAK FEATURES:

- Houses / Transports and Charges (6) MIRAGE Q6 IP™ fixtures

## MIRAGE Q6 PAK DIMENSIONS / WEIGHT (loaded case with 6 fixtures):

- Length: 26.4" (671mm)
- Width: 18.2" (461mm)
- Vertical Height: 18.1" (459mm)
- Loaded Weight: 97.9 lbs. (44.4 kg)

## PAK ELECTRICAL / THERMAL:

- Power Input: AC100VAC~240VAC, 50/60Hz
- IP65 Power Locking Input and Output
- Max Power Consumption: 400 Watts
- Power Draw: 4A
- Charge status indicator
- 14°F to 113°F (-10°C to 45°C)

## MIRAGE Q6 IP FIXTURE

### Optical:

- 4 x 10-Watt RGBA LEDs (4-in-1 - Red, Green, Blue & Amber)
- Life expectancy: rated at 50,000 hrs.
- LUX: 9903 @ 2M; 2303 @ 4M
- Beam angle: 15-degree
- Color Temperature: 2400K - 9900K

### Connection:

- DMX: WiFLY EXR Wireless DMX
- With Wired Digital Communication Network
- Contact Charging system. \*Charging base and power supply included

### Control:

- Control protocol: WiFLY EXR DMX
- 11 DMX Channel modes: 4, 6, 7, 8, 9A, 9B, 10, 11, 12, 15 or 18 channels
- Remote control: WiFLY EXR DMX, UC-IR (Included), Airstream IR
- 5 Operational modes: RGBA Dimmer Mode; Auto Run Mode (13 programs, & 1 color/fade combo mode); Static Color mode; and DMX Controlled

### Features:

- IP65 Outdoor Rated
- Built-in kickstand to angle fixture when sitting on the floor
- 4-touch button OLED display on rear panel
- Built-in WiFLY EXR wireless DMX: Up to 2,500 feet (760M) when used with ADJ's

- WiFLY EXR Battery Transceiver
- 64 built-in Color Macros
- Variable RGBA color mixing offers a smooth, seemingly unlimited color palette - Great for Wall Washing!
- LED pulse and strobe effect (0.2Hz-11Hz)
- Flicker Free Operation
- Electronic Dimming: 0 - 100% with 6 dim modes and 4 dim curves
- Run all night – No duty cycle
- Built-in alarm system with On/Off
- Battery charge indicator on each fixture
- Energy Save Mode

### Battery:

- Battery Type: fixed lithium battery
- Battery Energy: 162.8WH(Watt Hours)
- Battery Weight: 0.84 kg.
- Battery Voltage: 14.8V
- Battery Capacity: 11000mAh (Typical Capacity)
- Total Lithium Ion Cells: 20 pieces
- Battery Wrap Material: PVC sleeving + highland barley paper
- Battery Charge Time: 7 Hours
- Battery Life: 40 hours (single color)

### Electrical:

- Power Draw Total (All LED's @ Full On): 43W
- Voltage operation: DC17V

### Dimensions / Weight:

- Dimensions (LxWxH): 5.6" x 5.6" x 8.3" / 143 x 143 x 211mm
- Weight: 6.17 lbs. / 2.8kg.

### Certifications:

- ETL Approved
- CE Approved



# FCC STATEMENT

This device complies with Part 15 of the FCC Rules. Operation is subject to the following two conditions: (1) this device may not cause harmful interference, and (2) this device must accept any interference received, including interference that may cause undesired operation.

## FCC RADIO FREQUENCY INTERFERENCE WARNINGS & INSTRUCTIONS

This product has been tested and found to comply with the limits as per Part 15 of the FCC Rules. These limits are designed to provide reasonable protection against harmful interference in a residential installation. This device uses and can radiate radio frequency energy and, if not installed and used in accordance with the included instructions, may cause harmful interference to radio communications. However, there is no guarantee that interference will not occur in a particular installation. If this device does cause harmful interference to radio or television reception, which can be determined by turning the device off and on, the user is encouraged to try to correct the interference by one or more of the following methods:

- Reorient or relocate the device.
- Increase the separation between the device and the receiver.
- Connect the device and the radio receiver to electrical outlets on different circuits.
- Consult the dealer or an experienced radio/TV technician for help.

Energy Saving Matters (EuP 2009/125/EC)

Saving electric energy is a key to help protecting the environment. Please turn off all electrical products when they are not in use. To avoid power consumption in idle mode, disconnect all electrical equipment from power when not in use. Thank you!



