

JOLT PANEL FXIP

User Manual

©2024 ADJ Products, LLC all rights reserved. Information, specifications, diagrams, images, and instructions herein are subject to change without notice. ADJ Products, LLC logo and identifying product names and numbers herein are trademarks of ADJ Products, LLC. Copyright protection claimed includes all forms and matters of copyrightable materials and information now allowed by statutory or judicial law or hereinafter granted. Product names used in this document may be trademarks or registered trademarks of their respective companies and are hereby acknowledged. All non-ADJ Products, LLC brands and product names are trademarks or registered trademarks of their respective companies.

ADJ Products, LLC and all affiliated companies hereby disclaim any and all liabilities for property, equipment, building, and electrical damages, injuries to any persons, and direct or indirect economic loss associated with the use or reliance of any information contained within this document, and/or as a result of the improper, unsafe, insufficient and negligent assembly, installation, rigging, and operation of this product.

Europe Energy Saving Notice

Energy Saving Matters (EuP 2009/125/EC)

Saving electric energy is a key to help protecting the environment. Please turn off all electrical products when they are not in use. To avoid power consumption in idle mode, disconnect all electrical equipment from power when not in use. Thank you!

DOCUMENT VERSION



Due to additional product features and/or enhancements, an updated version of this document may be available online.

Please check www.adj.com for the latest revision/update of this manual before beginning installation and/or programming.

Date	Document Version	Software Version	DMX Channels	Notes
03/04/2024	1.0	1.01	6 / 9 / 13 / 18 / 36 / 41 / 51 / 81 / 126 / 141 Ch	Initial release
05/23/2024	1.1	N/C	No Change	ETL Approved
11/26/2024	1.2	N/C	No Change	Updated Optional Accessories, Dimensional Drawings, Specifications
12/09/2024	1.3	N/C	6 / 9 / 13 / 18 / 20 / 36 / 41 / 43 / 51 / 81 / 83 / 126 / 141 / 143 Ch	Updated System Menu, RDM, DMX Setup, DMX Traits, Pixel Grouping, Specifications

CONTENTS

Introduction	4
Limited Warranty (USA Only)	5
Warranty Registration Features	6
IP65 Rated	7
Safety Precautions	8
Overview	9
Installation	10
Accessory Installation	13
Aria	14
Remote Device Management (RDM)	15
Control Panel	16
System Menu	17
DMX Set Up	21
DMX Traits	23
Pixel Grouping	29
Color Macros Chart	31
Dim Modes	34
Primary-Secondary Set Up Multi Unit Power Linking	35
Maintenance Guidelines	36
Torque Settings for Screws	37
IP Test Parameters	38
Error Codes Optional Accessories	39
Dimensional Drawings	40
Specifications	41

INTRODUCTION

Unpacking: Thank you for purchasing the Jolt Panel FXIP by ADJ Products, LLC. Every device has been thoroughly tested and has been shipped in perfect operating condition. Carefully check the shipping carton for damage that may have occurred during shipping. If the carton appears to have been damaged, carefully inspect your fixture for any damage and be sure all accessories necessary to operate the unit have arrived intact. In the event that damage has been found or parts are missing, please contact our toll free customer support number for further instructions. Do not return this unit to your dealer without first contacting customer support.

Introduction: The ADJ Jolt Panel FXIP is an innovative multi-use strobe / wash / eye candy fixture. It is equipped with 800 x 0.5-Watt RGB SMD LEDs for color strobe, wash and eye candy effects, as well as 48 x 5-Watt white SMD LEDs located in the center of the fixture to create the traditional look of a strobe. **This product is intended to be used by professionally trained personnel only and is not suitable for private use.**

Customer Support: Contact ADJ Service for any product related service and support needs. Also visit forums.adj.com with questions, comments or suggestions.

Parts: To purchase parts online visit:

<http://parts.adj.com> (US)

<http://www.adjparts.eu> (EU)

ADJ SERVICE USA - Monday - Friday 8:00am to 4:30pm PST

Voice: 800-322-6337 | Fax: 323-582-2941 | support@adj.com

ADJ SERVICE EUROPE - Monday - Friday 08:30 to 17:00 CET

Voice: +31 45 546 85 60 | Fax: +31 45 546 85 96 | support@adj.eu

ADJ PRODUCTS LLC USA

6122 S. Eastern Ave. Los Angeles, CA. 90040

323-582-2650 | Fax 323-532-2941 | www.adj.com | info@adj.com

ADJ SUPPLY Europe B.V

Junostraat 2 6468 EW Kerkrade, The Netherlands

+31 (0)45 546 85 00 | Fax +31 45 546 85 99

www.adj.eu | info@adj.eu

ADJ PRODUCTS GROUP Mexico

AV Santa Ana 30 Parque Industrial Lerma, Lerma, Mexico 52000

+52 (728) 282-7070

CAUTION! There are no user serviceable parts inside this unit. Do not attempt any repairs yourself, as doing so will void your manufacturer's warranty. In the unlikely event your unit may require service, please contact ADJ Products, LLC.

Do not discard the shipping carton in the trash. Please recycle when ever possible.

LIMITED WARRANTY (USA ONLY)

- A. ADJ Products, LLC hereby warrants, to the original purchaser, ADJ Products, LLC products to be free of manufacturing defects in material and workmanship for a prescribed period from the date of purchase (see specific warranty period on reverse). This warranty shall be valid only if the product is purchased within the United States of America, including possessions and territories. It is the owner's responsibility to establish the date and place of purchase by acceptable evidence, at the time service is sought.
- B. For warranty service, you must obtain a Return Authorization number (RA#) before sending the product back—please contact ADJ Products, LLC Service Department at 800-322-6337. Send the product only to the ADJ Products, LLC factory. All shipping charges must be prepaid. If the requested repairs or service (including parts replacement) are within the terms of this warranty, ADJ Products, LLC will pay return shipping charges only to a designated point within the United States. If the entire instrument is sent, it must be shipped in its original package and packaging material. No accessories should be shipped with the product. If any accessories are shipped with the product, ADJ Products, LLC shall incur no liability whatsoever for loss of or damage to any such accessories, nor for the safe return thereof.
- C. This warranty is void if the product serial number and/or labels are altered or removed; if the product is modified in any manner which ADJ Products, LLC concludes, after inspection, affects the reliability of the product; if the product has been repaired or serviced by anyone other than the ADJ Products, LLC factory unless prior written authorization was issued to purchaser by ADJ Products, LLC; if the product is damaged because it was not properly maintained as set forth in the product instructions, guidelines and/or user manual.
- D. This is not a service contract, and this warranty does not include maintenance, cleaning, or periodic check-up. During the period specified above, ADJ Products, LLC will replace defective parts at its expense with new or refurbished parts, and will absorb all expenses for warranty service and repair labor by reason of defects in material or workmanship. The sole responsibility of ADJ Products, LLC under this warranty shall be limited to the repair of the product, or replacement thereof, including parts, at the sole discretion of ADJ Products, LLC. All products covered by this warranty were manufactured after August 15, 2012, and bear identifying marks to that effect.
- E. ADJ Products, LLC reserves the right to make changes in design and/or improvements upon its products without any obligation to include these changes in any products theretofore manufactured.
- F. No warranty, whether expressed or implied, is given or made with respect to any accessory supplied with products described above. Except to the extent prohibited by applicable law, all implied warranties made by ADJ Products, LLC in connection with this product, including warranties of merchantability or fitness, are limited in duration to the warranty period set forth above. And all warranties, whether expressed or implied, including warranties of merchantability or fitness, are limited in duration to the warranty period set forth above. The consumer's and/or dealer's sole remedy shall be such repair or replacement as is expressly provided above; and under no circumstances shall ADJ Product, LLC be liable for any loss and/or damage, direct and/or consequential arising out of the use of, and/or inability to use this product.
- G. This warranty is the only written warranty applicable to ADJ Products, LLC products, and supersedes all prior warranties and written descriptions of warranty terms and conditions heretofore published.

MANUFACTURER'S LIMITED WARRANTY PERIODS:

- Non-LED Lighting Products = 1-Year (365 Days) (Including Special Effect Lighting, Intelligent Lighting, UV lighting, Strobes, Fog Machines, Bubble Machines, Mirror Balls, Par Cans, Trussing, Lighting Stands, Power/Data Distribution, etc. excluding LED and lamps)
- Laser Products = 1-Year (365 Days) (excluding laser diodes which have a 6-Month Limited Warranty)
- LED Products = 2-Year (730 Days) (excluding batteries which have a 180 Day Limited Warranty)
- NOTE: 2-Year (730 Days) Limited Warranty ONLY applies to product purchased within the United States. StarTec Series = 1-Year (365 Days) (excluding batteries which have a 180 Day Limited Warranty)
- ADJ DMX Controllers = 2 Year (730 Days)
- American Audio Products = 1 Year (365 Days)

WARRANTY REGISTRATION

Please fill out the enclosed warranty card to validate your purchase. All returned service items, whether under warranty or not, must be freight pre-paid and accompanied by a return authorization (R.A.) number. The R.A. number must be clearly written on the outside of the return package. A brief description of the problem as well as the R.A. number must also be written down on a piece of paper included in the shipping carton. If the unit is under warranty, you must provide a copy of your proof of purchase invoice. You may obtain an R.A. number by contacting our customer support team. All packages returned to the service department not displaying an R.A. number on the outside of the package will be returned to the shipper.

FEATURES

- 40 x RGB LED Zones
- 6 x Cool White LED Zones
- 25 Built-in RGB LED Program Macros
- 9 Built-in Cool White LED Program Macros
- IP65-Rated for temporary outdoor and indoor use
- Aria X2 Wireless DMX Built-in
- Channel for Light Shaping Filters (to Blur Pixel Dots)
- End Cap Locking Mechanism and Connecting Plat (for seamless fixture linking)
- Built-in Holes to Connect an Omega Bracket (sold separately)

INCLUDED ITEMS

- IP65-rated, 6ft (1.83m) Power Locking to Edison Power Cable (x1)
- Frost Filter (x1)

IP65 RATED

The **International Protection (IP)** rating system is commonly expressed as “**IP**” (Ingress Protection) followed by two numbers (i.e. IP65), where the numbers define the degree of protection. The first digit (Foreign Bodies Protection) indicates the extent of protection against particles entering the fixture, and the second digit (Water Protection) indicates the extent of protection against water entering the fixture. An **IP65** rated lighting fixture is designed and tested to protect against the ingress of dust (6), and low-pressure water jets from any direction (5).

NOTE: THIS FIXTURE IS INTENDED FOR TEMPORARY OUTDOOR USE ONLY!

Maritime/Coastal Environment Installations: A coastal environment is seaside adjacent, and caustic to electronics through exposure to atomized salt-water and humidity, whereas maritime is anywhere within 5-miles of a coastal environment.



NOT suitable for maritime/coastal environment installations. Installing this fixture in a maritime/coastal environment may cause corrosion and/or excessive wear to the interior and/or exterior components of the fixture. Damages and/or performance issues resulting from installation in a maritime/coastal environment will void the manufactures warranty, and will NOT be subject to any warranty claims and/or repairs.

Maritime installations require additional preparation, and additional service intervals may be needed given the maritime use. In general, IP ratings presuppose freshwater conditions VS maritime conditions, which are typically more “caustic” to IP fixtures (both internally and externally). A duty-cycle may also be needed when units are not in use. During times of high humidity and colder temperatures, condensation may occur internally so the fixture may require a duty-cycle to bring it up to running temperature, allowing any accumulation of moisture to be expelled via the vent valve. Recommendations can change based on installation environmental circumstances. A waterproof dome or similar device is recommended for use in permanent outdoor installations. When using a dome, refer to manufacturer recommendations for duty-cycle.

NOTE: NOT ALL FEATURES LISTED ARE AVAILABLE ON ALL FIXTURES; THE FOLLOWING INSTRUCTIONS MAY NOT APPLY. CONTACT SUPPORT FOR ADDITIONAL DETAILS.

Exterior Maintenance: Inspect the exterior every 30-days. The unit must be powered off/disconnected. Inspect optics to determine if the lens is obstructed, then clean optics and chassis accordingly. Based on initial finding, schedule maintenance accordingly, keeping in mind that exterior maintenance will be required. Even if the luminaires are NOT in use, maintenance will still be needed given its location (exterior use). The use of a durable type of wax on the chassis is recommended since it will help prevent contaminant build up. Inspect both power and data lines for any signs of contaminants or corrosion. Periodically reapplying di-electric grease, especially in coastal environments. If any signs of corrosion/contaminants are present, clean thoroughly, and/or replace connectors, then reapply di-electric grease. Typically, this should be done annually, or any time an opportunity presents itself. As a preventive measure, annual replacement of both vent valves is recommended. The vent valve membrane can become contaminated and/or clogged causing improper venting of humidity within the luminaire. Inspect all mounting hardware as a precaution.

Interior Maintenance: Inspect the interior every 30-days. The unit must be powered off/disconnected.

- Inspect zoom/focus mechanism, clean optics, lubricate linear bearings (Krytox oil) as needed, inspect belts for wear
- Inspect all rotating effect wheels, manually rotate them, note any resistance
- Inspect all remaining rotating belts for any wear
- Inspect all fans, clean as needed, check rotation, check connections
- Inspect CMY module, manually move flags and check for signs of resistance, and if needed, clean guide rods first, then reapply a thin layer of grease (moly lube)
- Clean interior with low-volume compressed air, then clean optics prior to reassembly of head covers

Although the base has limited moving parts, the pan belt should also be inspected for wear. Remember to always perform an IP test anytime a cover is removed.

There is no specific time frame regarding the routine replacement of parts such as belts/stepper motors, PCBs, or LEDs. These items should only be replaced on an as needed bases, except for cooling fans, which should be replaced once the luminaries reach 10,000-hours. This is a prophylactic measure intended to keep the unit running as cool as possible, insuring proper function of all internal components. A complete service breakdown is available, please contact service@adj.com for any needed parts or manuals.

SAFETY PRECAUTIONS



PROTECTION CLASS 1 - FIXTURE MUST BE PROPERLY GROUNDED.



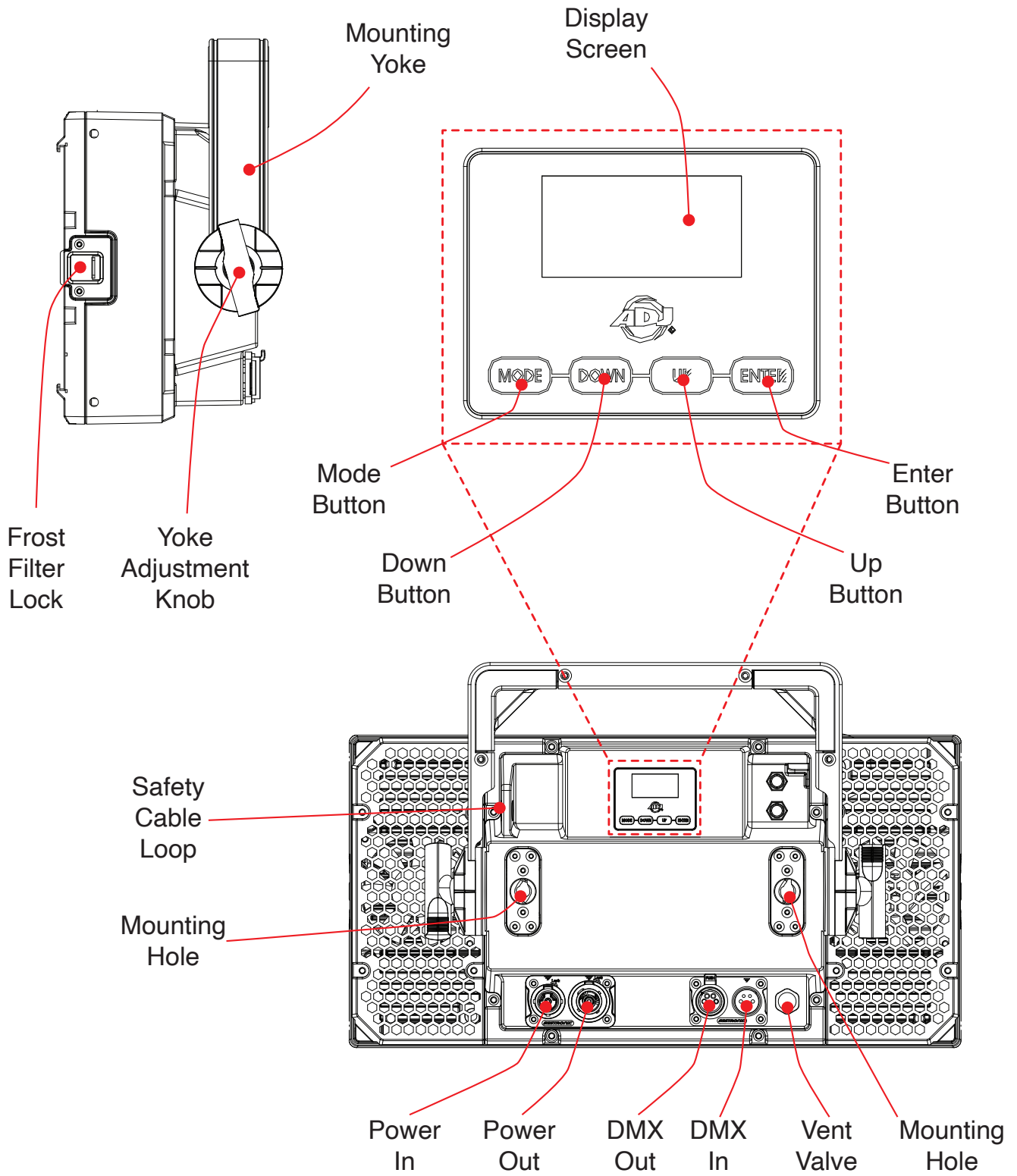
THERE ARE NO USER SERVICEABLE PARTS INSIDE THIS UNIT. DO NOT ATTEMPT ANY REPAIRS YOURSELF, AS DOING SO WILL VOID YOUR MANUFACTURER'S WARRANTY. DAMAGES RESULTING FROM MODIFICATIONS TO THIS FIXTURE AND/OR THE DISREGARD OF SAFETY INSTRUCTIONS AND GUIDELINES IN THIS MANUAL VOID THE MANUFACTURER'S WARRANTY AND ARE NOT SUBJECT TO ANY WARRANTY CLAIMS AND/OR REPAIRS.



**NEVER LOOK DIRECTLY INTO THE LIGHT SOURCE!
RETINA INJURY RISK - MAY INDUCE BLINDNESS!
SENSITIVE PERSONS MAY SUFFER AN EPILEPTIC SHOCK!**

- **Maximum ambient operating temperature is 113°F (45°C)!**
- DO NOT TOUCH the fixture housing during operation. Disconnect the power and allow approximately 15 minutes for the fixture to cool down before servicing.
- DO NOT shake the fixture, and avoid brute force when installing and/or operating the fixture.
- DO NOT operate the fixture if the power cord has become frayed, crimped and/or damaged. If the power cord is damaged, replace immediately with a new one of the same power rating.
- DO NOT attempt to remove or break off the ground prong from the electrical cord. This prong is used to reduce the risk of electrical shock and fire in case of an internal short.
- DO NOT attempt to operate this unit if it has been damaged in any way.
- Disconnect from main power before making any type of connection.
- DO NOT block any air ventilation slots. All fan and air inlets must remain clean and never blocked. Allow approx. 6" (15cm) between fixture and other devices or a wall for proper cooling.
- Always be sure to mount this unit in an area that will allow proper ventilation. Allow about 6" (15cm) between this device and a wall.
- DO NOT remove the cover for any reason.
- When installing fixture in a suspended environment, always use mounting hardware that is no less than M10 x 25mm, and always install fixture with an appropriately rated safety cable.
- Never plug this unit in to a dimmer pack.
- During long periods of non-use, disconnect the unit's main power.
- Always mount this unit in safe and stable matter.
- Power-supply cords should be routed so that they are not likely to be walked on or pinched by items placed upon or against them, paying particular attention to the point where they exit from the unit.
- Cleaning - The fixture should be cleaned only as recommended by the manufacturer.
- Heat - The appliance should be situated away from heat sources such as radiators, heat registers, stoves, or other appliances (including amplifiers) that produce heat.
- The fixture should be serviced by qualified service personnel when:
 - A. The power-supply cord or the plug have been damaged.
 - B. Objects have fallen onto, or liquids have been spilled into, the fixture.
 - C. The fixture does not appear to operate normally or exhibits a marked change in performance.
 - D. The fixture has fallen and/or has been subjected to extreme handling.

OVERVIEW



INSTALLATION



DO NOT INSTALL THE FIXTURE IF YOU ARE NOT QUALIFIED TO DO SO!

Fixture **MUST** be installed following all local, national, and country commercial electrical and construction codes and regulations.

When installing the unit, the trussing or area of installation must be able to hold 10 times the weight of the unit and any attached accessories without any deformation. The unit must be secured with a secondary safety attachment, e.g. an appropriately-rated safety cable.

Before rigging/mounting a single fixture to any metal truss/structure or placing the fixture(s) on any surface, a professional equipment installer **MUST** be consulted to determine if the metal truss/structure or surface is properly certified to safely hold the combined weight of the fixture(s), clamps, cables, and accessories.

Maximum ambient operating temperature is range **113°F (45°C)**. Do not operate this device when ambient temperature exceeds this value.

Fixture(s) should be installed away from walking paths, seating areas, or areas where unauthorized personnel might reach the fixture by hand.

NEVER stand directly below the fixture(s) when rigging, removing, or servicing.

Overhead fixture installation must always be secured with a secondary safety attachment, such as an appropriately rated safety cable that can hold 10 times the weight of the fixture.

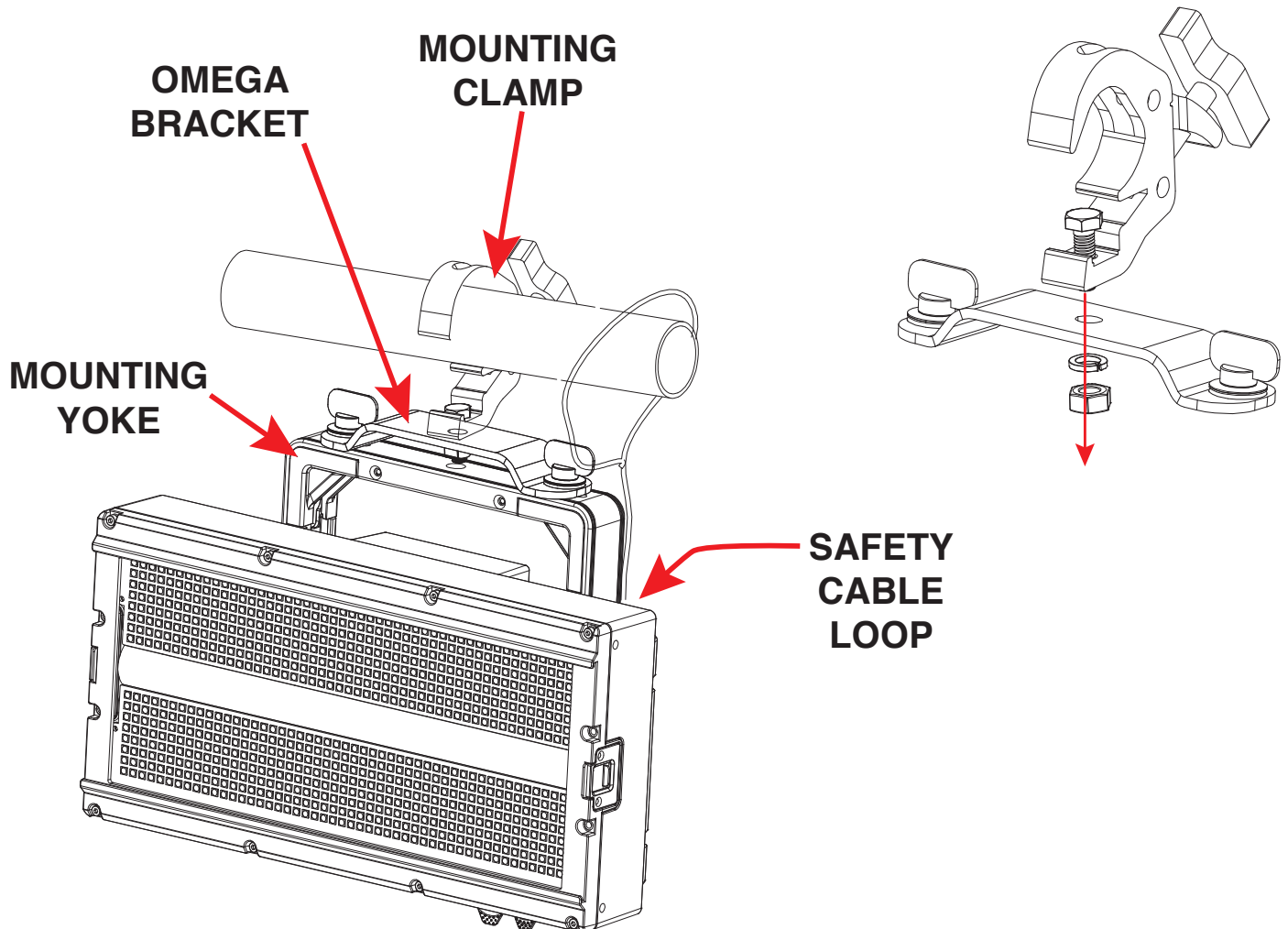
Overhead mounting requires extensive experience, including calculating working load limits, knowledge of installation material being used, and periodic safety inspection of all installation material as well as the unit itself. If you lack these qualifications, do not attempt the installation yourself.

The installation should be checked by a skilled person once a year.

INSTALLATION

CLAMP MOUNTING

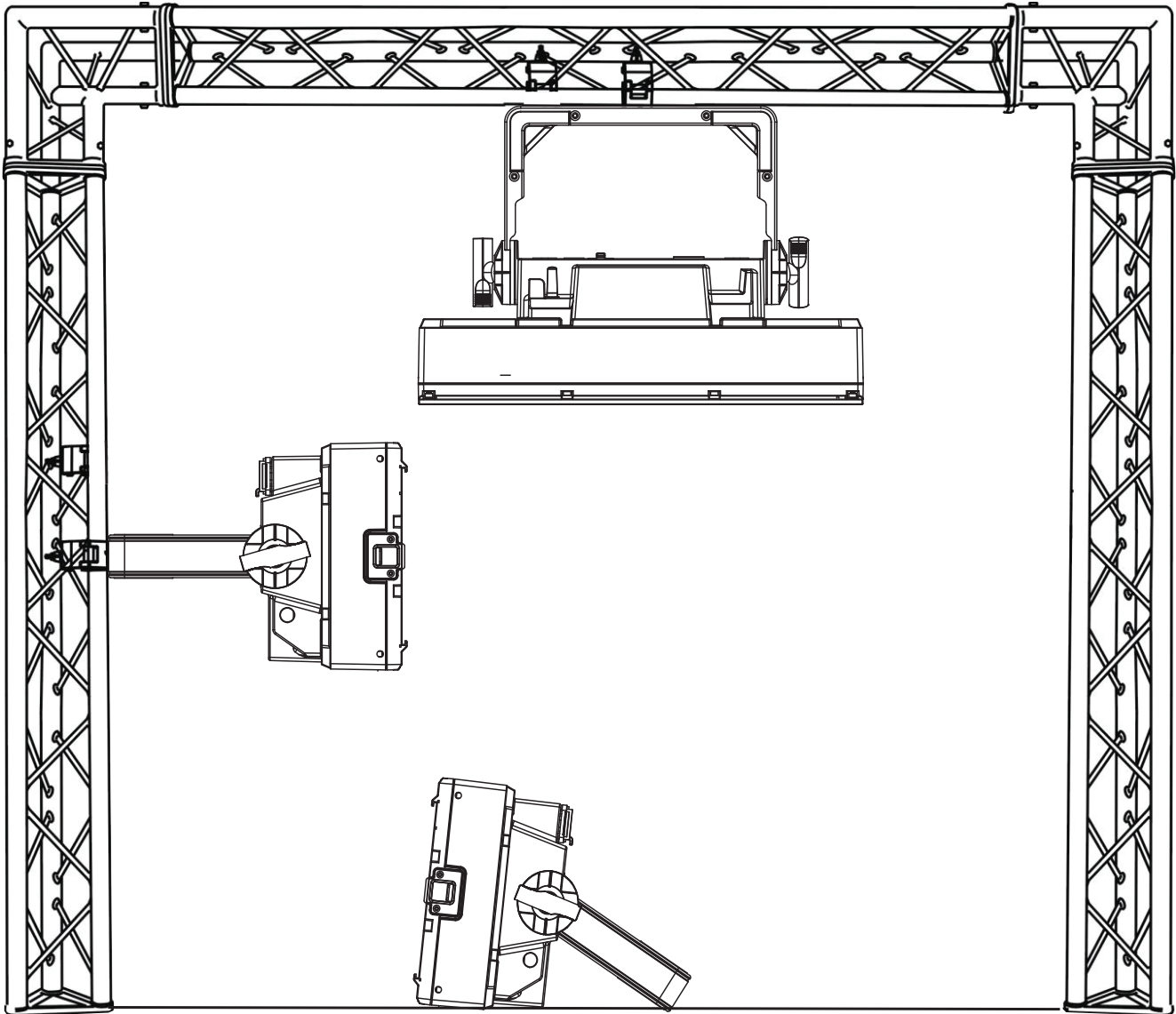
This fixture features mounting holes for the attachment of Omega clamps, both on the mounting yoke and on the rear panel. When mounting the fixture to a truss or any other suspended structure, be sure to secure an appropriate rated clamp (not included) to each Omega bracket. Insert a bolt of appropriate size through the bottom of the mounting clamp and the central hole on the mounting bracket, and secure them together with a matching nut. Then insert the twist lock fasteners of the Omega bracket into the mounting holes on the fixture, and twist to secure in place. Additionally, a safety cable of the appropriate weight rating should be secured to the provided location at near the base of the mounting yoke, to the left of the control panel.



SAFETY CABLE:

ALWAYS ATTACH A SAFETY CABLE WHENEVER INSTALLING THIS FIXTURE IN A SUSPENDED ENVIRONMENT TO ENSURE THAT THE FIXTURE WILL NOT FALL IF THE CLAMP FAILS.

INSTALLATION



The unit is fully operational in three different mounting positions: hanging upside-down from the ceiling or trussing, sideways on trussing, or set on a flat level surface. Be sure this fixture is kept at least 12m (40ft) away from any flammable materials (decorations, etc). Always use and install a safety cable (not included) as a safety measure to prevent accidental damage and/or injury in the event the clamp fails. Never use the carrying handles for secondary attachment.

SAFETY CABLE:

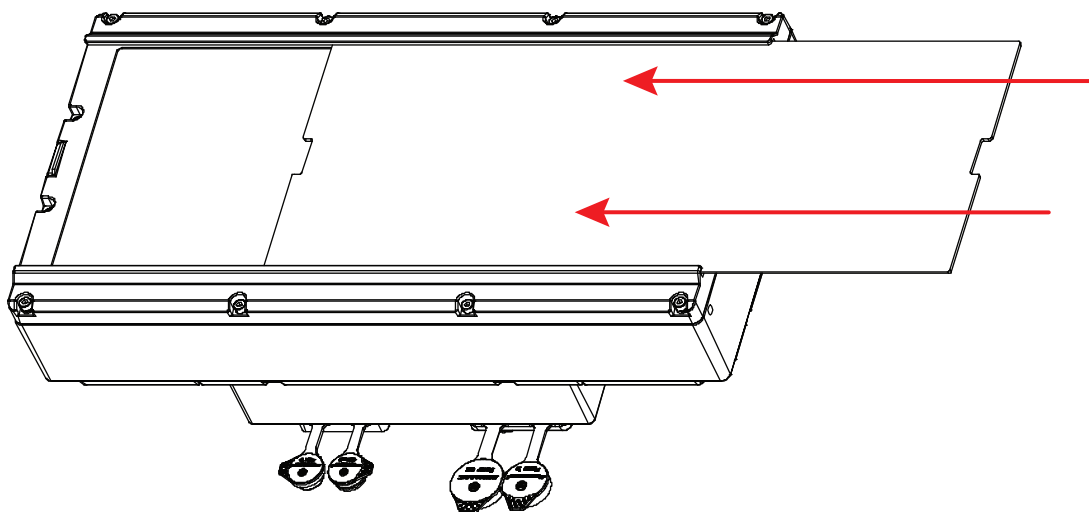
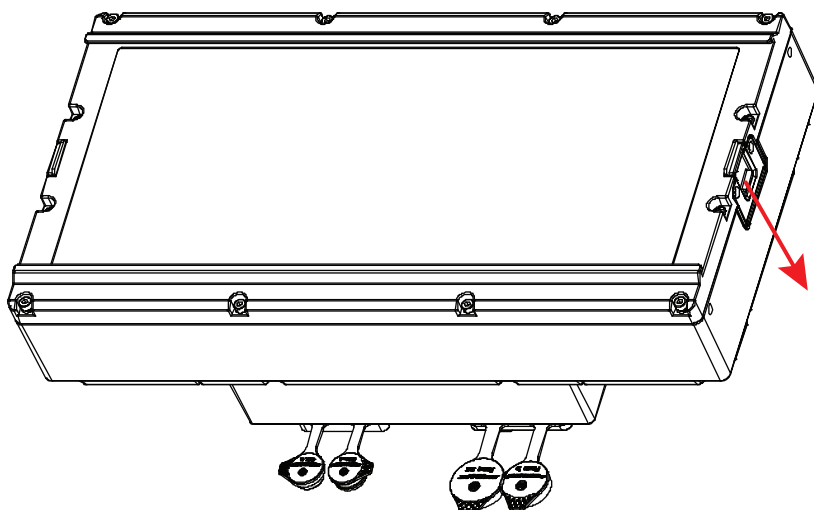


ALWAYS ATTACH A SAFETY CABLE WHENEVER INSTALLING THIS FIXTURE IN A SUSPENDED ENVIRONMENT TO ENSURE THAT THE FIXTURE WILL NOT FALL IF THE CLAMP FAILS.

ACCESSORY INSTALLATION

FROST FILTER

A removeable frost filter is included with the fixture. To install this filter, simply pull down the latch on the side of the fixture's frame, then slide the frost filter into place in the slots along the top and bottom of the frame. The latch will spring back into place when released, securing the frost filter in place.



ARIA

To set up wireless control, follow the steps below:

1. Navigate to Personality > Aria Settings in the system menu. Press SETUP to select this menu.
2. Use UP and DOWN to scroll to the “Aria Enable” option, then press SETUP to confirm.
3. Return to the “Aria Settings” Menu, then use the UP and DOWN buttons to navigate to “Set Aria Channel”. Use the UP and DOWN buttons to select your desired channel, then press ENTER to confirm. Selectable values are 00 - 14.
4. Return to the “Aria Settings” menu, then use the UP and DOWN buttons to navigate to “Set Aria Band”. Use the UP and DOWN button to select your desired band, then press ENTER to confirm.

There are many factors that can affect and/or interrupt a wireless signal, including walls, glass, metal, objects, and people. Therefore, the following guidelines are recommended in order to maximize the chances of having a clear path for the wireless signal to reach the device:

- Install the device a minimum of 9.8 ft (3m) above audiences and/or ground level.
- Arrange the wireless antenna in an upright, vertical position.
- Position devices in direct line of sight of the transmitting controller.

Careful planning and testing of the selected installation location is critical to ensure optimum and reliable wireless operation.

9.8 ft (3m)
Above Ground



REMOTE DEVICE MANAGEMENT (RDM)

NOTE: In order for RDM to work properly, RDM enabled equipment must be used throughout the entire system, including DMX data splitters and wireless systems.

Remote Device Management (RDM) is a protocol that sits on top of the DMX512 data standard for lighting, allowing the DMX systems of the fixtures to be modified and monitored remotely. This protocol is ideal for instances in which a unit is installed in a location that is not easily accessible.

With RDM, the DMX512 system becomes bi-directional, allowing a compatible RDM enabled controller to send out a signal to devices on the wire, as well as allowing the fixture to respond (known as a *GET* command). The controller can then use its *SET* command to modify settings that would typically have to be changed or viewed directly via the unit's display screen, including the DMX Address, DMX Channel Mode, and Temperature Sensors.

FIXTURE RDM INFORMATION:

RDM Code	Device ID	Device Model ID	Personality ID
1900	0000-FFFF	78	6Ch, 9Ch, 13Ch, 18Ch, 20Ch, 36Ch, 41Ch, 43Ch, 51Ch, 81Ch, 83Ch, 126Ch, 141Ch, 143Ch

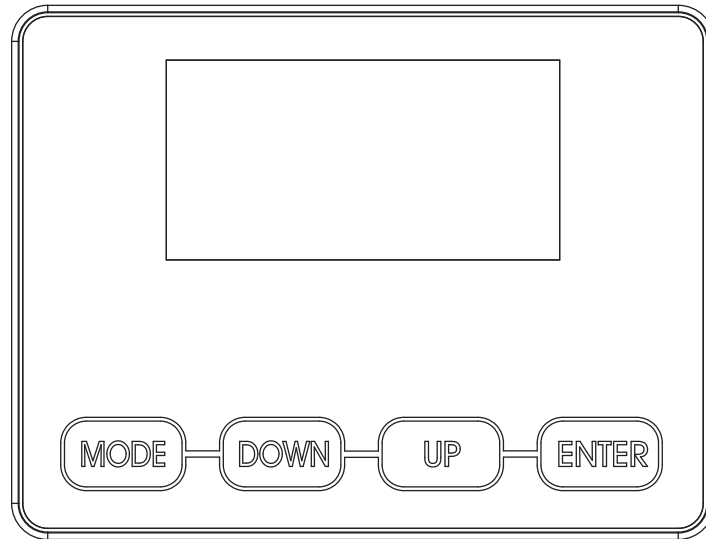
Please be aware that not all RDM devices support all RDM features, and therefore it is important to check beforehand to ensure that the equipment that you are considering includes all of the features that you require.

Code	Parameter	Code	Parameter
0x0200	Sensor Definition	0x0500	Display Invert
0x0201	Sensor Value	0x0501	Display Level
0x0080	Device Model Description	0x0603	Realtime Clock
0x0081	Manufacturer Label	0x1010	Power State
0x0082	Device Label	0x1031	Preset Playback
0x00E0	DMX Personality	0x0120	Slot Information
0x00E1	DMX Personality Description	0x0121	Slot Description
0x0400	Device Hours	0x0122	Default Slot Value
0x0015	Comms Status	0x00B0	Language
0x0031	Status ID Description	0x00A0	Language Capabilities
0x0032	Clear Status ID	0x00C2	Boot Software Version Label
0x0405	Device Power Cycles	0x00C1	Boot Software Version ID
0x0600	Pan Invert	0x0070	Product Detail ID Listy
0x0601	Tilt Invert	0x0030	Status Messages
0x0602	Pan Tilt Swap	0x0000	Undefined PID

CONTROL PANEL

This unit features a display screen with a 4-button control pad, which can be used to easily adjust any device settings.

Pressing the MODE button will cycle through the various Main Menu options. When the desired Main Menu option is displayed on the screen, press the ENTER button to enter the sub-menu, then use the UP and DOWN buttons to scroll through sub-menu options. In some cases, there will be a second sub-menu that can be navigated in the same way.



SCREEN LOCK

The control panel screen can be set to lock after a period of inactivity, which can be set by navigating to Personality > Display > Screen Lock. This feature is disabled by default. To unlock the screen, press and hold the MODE button for 3 seconds.

SYSTEM MENU

DMX SETTINGS	DMX Address	001 - 512		Set DMX starting address	
	DMX Mode	6Ch		Select DMX channel mode	
		9Ch			
		13Ch			
		18Ch			
		20Ch			
		36Ch			
		41Ch			
		43Ch			
		51Ch			
		81Ch			
		83Ch			
		126Ch			
		141Ch			
143Ch					
No DMX Status	Hold Last		Unit holds the last settings received if DMX signal is lost or interrupted		
	Blackout		Unit takes all channels to zero if DMX signal is lost or interrupted		
	Manual		Unit defaults to pre-set manual mode if DMX signal is lost or interrupted		
PERSONALITY	Prim/Sec Mode	Primary / Secondary		Set unit as a primary or secondary device	
	Select Signal	DMX or Aria		Select signal source	
		Aria and DMX Out			
	Aria Settings	Aria Enable	On / Off		Enable or disable Aria
		Set Aria Band	2.4 GHz		Select Aria frequency
			Subgig (US)		
			Subgig (EU)		
		Aria 2.4Ghz channel	00 - 15		Set channel for 2.4 GHz frequency
		Aria Subgig channel	00 - 09		Set channel for subgig frequency
		Mesh	On / Off		Enable/disable DMX mesh network
RDM	On / Off		Enable/disable RDM function		
Bluetooth Enable	On / Off		Enable/disable Bluetooth		

SYSTEM MENU

PERSONALITY (continued)	Fan Settings	Auto		Select fan settings
		High		
		Silent		
	Pixel Flip	On / Off		Switch the locations of the pixel zones on the display; refer to the Pixel Grouping section
	Dim Modes	Standard		Select dim mode
		Stage		
		TV		
		Architectural		
		Theatre		
		Stage2		
	Dim Curves	Square		Select dim curve
		Linear		
		Square Inverse		
		S-Curve		
	LED Refresh Rate	900Hz - 1500Hz, 2500Hz, 4000Hz, 5000Hz, 6000Hz, 10KHz, 15KHz, 20KHz, 25KHz (default = 1200Hz)		Select LED refresh rate
LED Power Limit	50%		Set LED power output limit	
	60%			
	70%			
	80%			
	90%			
	100%			
Display	Screen Delay	Off, 10s - 5min (default = 1min)	Screen turns off after set period of inactivity	
	Screen Lock	Off , 10s - 5min	Screen locks after set period of inactivity	
	Rotate Display	Yes	Rotate display orientation	
		No		
Temperature Unit	°C / °F		Select temperature units	
	Auto			

SYSTEM MENU

PERSONALITY (continued)	Service	White Balance (Passcode = 011)	Red1: 000 - 255	Calibrate white balance
			Green1: 000 - 255	
			Blue1: 000 - 255	
			Red2: 000 - 255	
			Green2: 000 - 255	
			Blue2: 000 - 255	
			...	
	Blue32: 000 - 255			
	Factory Restore	Yes / No	Return unit the default factory settings	
MANUAL	Red	000 - 255	Set each fixture parameter manually	
	Green	000 - 255		
	Blue	000 - 255		
	White	000 - 255		
	CCT	000 - 255		
	Green Shift	000 - 255		
	RGB Shutter	000 - 255		
	RGB Dimmer	000% - 100%		
	White Shutter	000 - 255		
	White Dimmer	000% - 100%		
	Self Test	All	Initiate self test	
Dimmer				
Color				
INFORMATION	On Time	Current Run Time		Current amount of time running
		Total Run Time		Time that fixture has been powered on over its entire life
		Last Run Time		Run time since last reset
		Reset Last Run Time	Passcode = 050	Reset last run time
	Temperature	Current Temp		Measures current temperature
		Max Temp 1		Max recorded temperature since last reset
		Max Temp 2		Max lifetime recorded temperature
		Temp Rst	Yes / No Passcode = 050	Reset Max Temp 1 value
	Humidity			Current humidity %
	DMX Values	Red		Displays current DMX value of each parameter
Green				
...				

SYSTEM MENU

INFORMATION (continued)	Product IDs	RDM UID		RDM UID
	Error Logs	Xxxx		Display errors one by one
		Reset Error Log	Yes / No Passcode = 050	Clear error log
	Software Ver- sion	Vx.xx		Display current software ver- sion

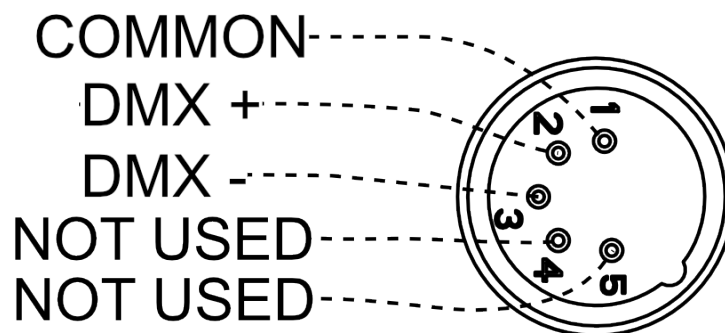
DMX SET UP

DMX-512: DMX is short for Digital Multiplex. This is a universal protocol used as a form of communication between intelligent fixtures and controllers. A DMX controller sends DMX data instructions from the controller to the fixture. DMX data is sent as serial data that travels from fixture to fixture via the DATA “IN” and DATA “OUT” XLR terminals located on all DMX fixtures (most controllers only have a DATA “OUT” terminal).

DMX Linking: DMX is a language allowing all makes and models of different manufacturers to be linked together and operate from a single controller, as long as all fixtures and the controller are DMX compliant. To ensure proper DMX data transmission, try to use the shortest cable path possible when linking several DMX fixtures. The order in which fixtures are connected in a DMX line does not influence the DMX addressing. For example, a fixture assigned a DMX address of 1 may be placed anywhere in a DMX line: at the beginning, at the end, or anywhere in the middle. When a fixture is assigned a DMX address of 1, the DMX controller knows to send DATA assigned to address 1 to that unit, no matter where it is located in the DMX chain.

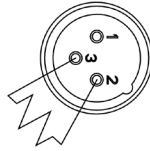
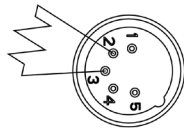
Data Cable (DMX Cable) Requirements (For DMX Operation): This unit can be controlled via DMX-512 protocol. The DMX address is set on the rear panel of the unit. Your unit and your DMX controller require a standard 5-pin XLR connector for data input and data output. We recommend Accu-Cable DMX cables. If you are making your own cables, be sure to use standard 110-120 Ohm shielded cable (This cable may be purchased at almost all pro lighting stores). Your cables should be made with a male XLR connector at one end and a female XLR connector at the other. Also remember that DMX cable must be daisy chained and cannot be split.

Notice: Be sure to follow the illustration below when making your own cables. Do not use the ground lug on the XLR connector. Do not connect the cable’s shield conductor to the ground lug or allow the shield conductor to come in contact with the XLR’s outer casing. Grounding the shield could cause a short circuit and erratic behavior.



DMX SET UP

Special Note: Line Termination. When longer runs of cable are used, you may need to use a terminator on the last unit to avoid erratic behavior. A terminator is a 110-120 ohm 1/4 watt resistor which is connected between pins 2 and 3 of a male XLR connector (DATA + and DATA -). This unit is inserted in the female XLR connector of the last unit in your daisy chain to terminate the line. Using a cable terminator (ADJ part number Z-DMX/T) will reduce the risk of erratic behavior.



A DMX512 terminator reduces signal errors, avoiding most signal reflection interference. Connect PIN 2 (DMX-) and PIN 3 (DMX+) of the last fixture in series with a 120 Ohm, 1/4 W Resistor to terminate the DMX512.

DMX ADDRESSING.

All fixtures should be given a DMX starting address when using a DMX controller, so the correct fixture responds to the correct control signal. This digital starting address is the channel number from which the fixture starts to “listen” to the digital control signal sent out from the DMX controller. The assignment of this starting DMX address is achieved by setting the correct DMX address on the digital control display on the fixture.

You can set the same starting address for all fixtures or a group of fixtures, or set different addresses for each individual fixture. Setting all fixtures to the same DMX address will cause all fixtures to react in the same way. In other words, changing the settings of one channel will affect all the fixtures simultaneously.

If you set each fixture to a different DMX address, each unit will start to “listen” to the channel number you have set, based on the quantity of DMX channels of each fixture. That means changing the settings of one channel will only affect the selected fixture.

For example, when this unit is operating in 6 channel mode, you should set the starting DMX address of the first unit to 1, the second unit to 7 (1 + 6), the third unit to 13 (1 + 6 + 6), and so on. See the chart below for more details.

CHANNEL MODE	UNIT 1 ADDRESS	UNIT 2 ADDRESS	UNIT 3 ADDRESS	UNIT 4 ADDRESS
6Ch	1	7	13	19
9Ch	1	10	19	28
13Ch	1	14	27	40
18Ch	1	19	37	55
20Ch	1	21	41	61
36Ch	1	37	73	109
41Ch	1	42	83	124
43Ch	1	44	87	130
51Ch	1	52	103	154
81Ch	1	82	163	244
83Ch	1	84	167	250
126Ch	1	127	253	379
141Ch	1	142	283	424
143Ch	1	144	287	430

DMX TRAITS

CHANNEL														DMX VALUES	FUNCTION
6 CH	9 CH	13 CH	18 CH	20 CH	36 CH	41 CH	43 CH	51 CH	81 CH	83 CH	126 CH	141 CH	143 CH		
					1	1	1	1	1	1	1	1	1	000-255	Red 1
					2	2	2	2	2	2	2	2	2	000-255	Green 1
					3	3	3	3	3	3	3	3	3	000-255	Blue 1
					4	4	4	4	4	4	4	4	4	000-255	Red 2
					5	5	5	5	5	5	5	5	5	000-255	Green 2
					6	6	6	6	6	6	6	6	6	000-255	Blue 2
					7	7	7	7	7	7	7	7	7	000-255	Red 3
					8	8	8	8	8	8	8	8	8	000-255	Green 3
					9	9	9	9	9	9	9	9	9	000-255	Blue 3
					10	10	10	10	10	10	10	10	10	000-255	Red 4
					11	11	11	11	11	11	11	11	11	000-255	Green 4
					12	12	12	12	12	12	12	12	12	000-255	Blue 4
					13	13	13	13	13	13	13	13	13	000-255	Red 5
					14	14	14	14	14	14	14	14	14	000-255	Green 5
					15	15	15	15	15	15	15	15	15	000-255	Blue 5
					16	16	16	16	16	16	16	16	16	000-255	Red 6
					17	17	17	17	17	17	17	17	17	000-255	Green 6
					18	18	18	18	18	18	18	18	18	000-255	Blue 6
					19	19	19	19	19	19	19	19	19	000-255	Red 7
					20	20	20	20	20	20	20	20	20	000-255	Green 7
					21	21	21	21	21	21	21	21	21	000-255	Blue 7
					22	22	22	22	22	22	22	22	22	000-255	Red 8
					23	23	23	23	23	23	23	23	23	000-255	Green 8
					24	24	24	24	24	24	24	24	24	000-255	Blue 8
								25	25	25	25	25	25	000-255	Red 9
								26	26	26	26	26	26	000-255	Green 9
								27	27	27	27	27	27	000-255	Blue 9
								28	28	28	28	28	28	000-255	Red 10
								29	29	29	29	29	29	000-255	Green 10
								30	30	30	30	30	30	000-255	Blue 10
								31	31	31	31	31	31	000-255	Red 11
								32	32	32	32	32	32	000-255	Green 11
								33	33	33	33	33	33	000-255	Blue 11
								34	34	34	34	34	34	000-255	Red 12
								35	35	35	35	35	35	000-255	Green 12
								36	36	36	36	36	36	000-255	Blue 12
								37	37	37	37	37	37	000-255	Red 13
								38	38	38	38	38	38	000-255	Green 13
								39	39	39	39	39	39	000-255	Blue 13
								40	40	40	40	40	40	000-255	Red 14

DMX TRAITS

CHANNEL														DMX VALUES	FUNCTION
6 CH	9 CH	13 CH	18 CH	20 CH	36 CH	41 CH	43 CH	51 CH	81 CH	83 CH	126 CH	141 CH	143 CH		
									41	41	41	41	41	000-255	Green 14
									42	42	42	42	42	000-255	Blue 14
									43	43	43	43	43	000-255	Red 15
									44	44	44	44	44	000-255	Green 15
									45	45	45	45	45	000-255	Blue 15
									46	46	46	46	46	000-255	Red 16
									47	47	47	47	47	000-255	Green 16
									48	48	48	48	48	000-255	Blue 16
									49	49	49	49	49	000-255	Red 17
									50	50	50	50	50	000-255	Green 17
									51	51	51	51	51	000-255	Blue 17
									52	52	52	52	52	000-255	Red 18
									53	53	53	53	53	000-255	Green 18
									54	54	54	54	54	000-255	Blue 18
									55	55	55	55	55	000-255	Red 19
									56	56	56	56	56	000-255	Green 19
									57	57	57	57	57	000-255	Blue 19
									58	58	58	58	58	000-255	Red 20
									59	59	59	59	59	000-255	Green 20
									60	60	60	60	60	000-255	Blue 20
											61	61	61	000-255	Red 21
											62	62	62	000-255	Green 21
											63	63	63	000-255	Blue 21
											64	64	64	000-255	Red 22
											65	65	65	000-255	Green 22
											66	66	66	000-255	Blue 22
											67	67	67	000-255	Red 23
											68	68	68	000-255	Green 23
											69	69	69	000-255	Blue 23
											70	70	70	000-255	Red 24
											71	71	71	000-255	Green 24
											72	72	72	000-255	Blue 24
											73	73	73	000-255	Red 25
											74	74	74	000-255	Green 25
											75	75	75	000-255	Blue 25
											76	76	76	000-255	Red 26
											77	77	77	000-255	Green 26
											78	78	78	000-255	Blue 26
											79	79	79	000-255	Red 27
											80	80	80	000-255	Green 27

DMX TRAITS

CHANNEL														DMX VALUES	FUNCTION	
6 CH	9 CH	13 CH	18 CH	20 CH	36 CH	41 CH	43 CH	51 CH	81 CH	83 CH	126 CH	141 CH	143 CH			
												81	81	81	000-255	Blue 27
												82	82	82	000-255	Red 28
												83	83	83	000-255	Green 28
												84	84	84	000-255	Blue 28
												85	85	85	000-255	Red 29
												86	86	86	000-255	Green 29
												87	87	87	000-255	Blue 29
												88	88	88	000-255	Red 30
												89	89	89	000-255	Green 30
												90	90	90	000-255	Blue 30
												91	91	91	000-255	Red 31
												92	92	92	000-255	Green 31
												93	93	93	000-255	Blue 31
												94	94	94	000-255	Red 32
												95	95	95	000-255	Green 32
												96	96	96	000-255	Blue 32
												97	97	97	000-255	Red 33
												98	98	98	000-255	Green 33
												99	99	99	000-255	Blue 33
												100	100	100	000-255	Red 34
												101	101	101	000-255	Green 34
												102	102	102	000-255	Blue 34
												103	103	103	000-255	Red 35
												104	104	104	000-255	Green 35
												105	105	105	000-255	Blue 35
												106	106	106	000-255	Red 36
												107	107	107	000-255	Green 36
												108	108	108	000-255	Blue 36
												109	109	109	000-255	Red 37
												110	110	110	000-255	Green 37
												111	111	111	000-255	Blue 37
												112	112	112	000-255	Red 38
												113	113	113	000-255	Green 38
												114	114	114	000-255	Blue 38
												115	115	115	000-255	Red 39
												116	116	116	000-255	Green 39
												117	117	117	000-255	Blue 39
												118	118	118	000-255	Red 40
												119	119	119	000-255	Green 40
												120	120	120	000-255	Blue 40

DMX TRAITS

CHANNEL														DMX VALUES	FUNCTION
6 CH	9 CH	13 CH	18 CH	20 CH	36 CH	41 CH	43 CH	51 CH	81 CH	83 CH	126 CH	141 CH	143 CH		
				4			25			61			121		CT Presets
														000-022	Open
														023-089	CTO 2300K - 8900K
														090-255	9000K
				5			26			62			122	000-255	Green Shift
1	1	1	1	1											Outer Red: 0 to 100%
2	2	2	2	2											Outer Green: 0 to 100%
3	3	3	3	3											Outer Blue: 0 to 100%
		5	4	6		25	27	31	61	63		121	123	000-255	Outer Color Macros
			5	7	25	26	28	32	62	64		122	124	000-255	Outer Dimmer: 0 to 100%
			6	8	26	27	29	33	63	65		123	125	000-255	Outer Dimmer Fine: 0 to 100%
															Outer Strobe Effect
														000-002	Open
														003-005	Strobe
		8	7	9	27	28	30	34	64	66		124	126	006-500	Ramp up
														051-100	Ramp down
														101-150	Ramp up-down
														151-200	Lightning
														201-255	Random
		9	8	10	28	29	31	35	65	67		125	127	000-255	Outer Strobe Rate, Speed: Slow to Fast
		10	9	11	29	30	32	36	66	68		126	128	000-255	Outer Strobe Duration, Duration Slow to Fast
															Outer Program Macro
														000-005	No function
														006-015	Macro1
														016-025	Macro2
														026-035	Macro3
														036-045	Macro4
														046-055	Macro5
														056-065	Macro6
														066-075	Macro7
		11	10	12		31	33	37	67	69		127	129	076-085	Macro8
														086-095	Macro9
														096-105	Macro10
														106-115	Macro11
														116-125	Macro12
														126-135	Macro13
														136-145	Macro14
														146-155	Macro15
														156-165	Macro16
														166-175	Macro17
														176-185	Macro18
														186-195	Macro19

DMX TRAITS

CHANNEL														DMX VALUES	FUNCTION
6 CH	9 CH	13 CH	18 CH	20 CH	36 CH	41 CH	43 CH	51 CH	81 CH	83 CH	126 CH	141 CH	143 CH		
		11	10	12		31	33	37	67	69		127	129		Outer Program Macro (continued)
														196-205	Macro20
														206-215	Macro21
														216-225	Macro22
														226-235	Macro23
														236-245	Macro24
														246-255	Macro25
			11	13		32	34	38	68	70		128	130	0-255	Outer Program Macro Speed
								39	69	71	121	129	131	000-255	White 1
								40	70	72	122	130	132	000-255	White 2
								41	71	73	123	131	133	000-255	White 3
								42	72	74	124	132	134	000-255	White 4
								43	73	75	125	133	135	000-255	White 5
								44	74	76	126	134	136	000-255	White 6
4	4	4													Inner White: 0 to 100%
					30	33	35							000-255	Inner White Group 1
					31	34	36							000-255	Inner White Group 2
			12	14	32	35	37	45	75	77		135	137	000-255	Inner Dimmer: 0 to 100%
			13	15	33	36	38	46	76	78		136	138	000-255	Inner Dimmer Fine: 0 to 100%
			14	16	34	37	39	47	77	79		137	139		Inner Strobe Effect
														000-002	Open
														003-005	Strobe
														006-050	Ramp up
														051-100	Ramp down
														101-150	Ramp up-down
														151-200	Lightning
														201-255	Random
			15	17	35	38	40	48	78	80		138	140	000-255	Inner Strobe Rate, Speed: Slow to Fast
			16	18	36	39	41	49	79	81		139	141	000-255	Inner Strobe Duration, Duration Slow to Fast
			12	17	19	40	42	50	80	82		140	142		Inner Program Macro
														000-005	No function
														006-033	Macro1
														034-060	Macro2
														061-088	Macro3
														089-116	Macro4
														117-144	Macro5
														145-172	Macro6
														173-200	Macro7
														201-228	Macro8
														229-255	Macro9

DMX TRAITS

CHANNEL														DMX VALUES	FUNCTION
6 CH	9 CH	13 CH	18 CH	20 CH	36 CH	41 CH	43 CH	51 CH	81 CH	83 CH	126 CH	141 CH	143 CH		
			18	20		41	43	51	81	83		141	143	000-255	Inner Program Macro Speed
		13												000-255	In/Out Program Macro Speed , Slow to Fast
5	5	6												000-255	Dimmer : 0 to 100%
6	6	7												000-255	Dimmer Fine : 0 to 100%
															Strobe Effect
														000-002	Open
														003-005	Strobe
														006-050	Ramp up
														051-100	Ramp down
														101-150	Ramp up-down
														151-200	Lightning
														201-255	Random
	8													000-255	Strobe Rate , Speed: Slow to Fast
	9													000-255	Strobe Duration , Duration: Slow to Fast

PIXEL GROUPING

6 / 9 / 13 / 18 / 20 CH

Outer
Inner
Outer

36 / 41 / 43 CH

Outer RGB Group 1	Outer RGB Group 2
Outer RGB Group 3	Outer RGB Group 4
Inner White Group 1	Inner White Group 2
Outer RGB Group 5	Outer RGB Group 6
Outer RGB Group 7	Outer RGB Group 8

51 CH

RGB1	RGB2	RGB3	RGB4	RGB5	
W1	W2	W3	W4	W5	W6
RGB6	RGB7	RGB8	RGB9	RGB10	

81 / 83 CH

RGB 1	RGB 2	RGB 3	RGB 4	RGB 5	RGB 6	RGB 7	RGB 8	RGB 9	RGB 10
W1	W2	W3	W4	W5	W6				
RGB 11	RGB 12	RGB 13	RGB 14	RGB 15	RGB 16	RGB 17	RGB 18	RGB 19	RGB 20

126 / 141 / 143 CH

RGB 1	RGB 2	RGB 3	RGB 4	RGB 5	RGB 6	RGB 7	RGB 8	RGB 9	RGB 10
RGB 11	RGB 12	RGB 13	RGB 14	RGB 15	RGB 16	RGB 17	RGB 18	RGB 19	RGB 20
W1	W2	W3	W4	W5	W6				
RGB 21	RGB 22	RGB 23	RGB 24	RGB 25	RGB 26	RGB 27	RGB 28	RGB 29	RGB 30
RGB 31	RGB 32	RGB 33	RGB 34	RGB 35	RGB 36	RGB 37	RGB 38	RGB 39	RGB 40

PIXEL GROUPING

PIXEL FLIP

This function allows the user to invert the top-to-bottom and left-to-right orientation of the RGB section of the pixel map. To access pixel flip, use the system menu to navigate to Personality > Pixel Flip.

The diagrams below show pixel flip on versus pixel flip off for the 126 / 141 channel pixel map, but the pixel flip function is available for the pixel maps of all DMX channel modes.

PIXEL FLIP OFF

RGB 1	RGB 2	RGB 3	RGB 4	RGB 5	RGB 6	RGB 7	RGB 8	RGB 9	RGB 10		
RGB 11	RGB 12	RGB 13	RGB 14	RGB 15	RGB 16	RGB 17	RGB 18	RGB 19	RGB 20		
W1		W2		W3		W4		W5		W6	
RGB 21	RGB 22	RGB 23	RGB 24	RGB 25	RGB 26	RGB 27	RGB 28	RGB 29	RGB 30		
RGB 31	RGB 32	RGB 33	RGB 34	RGB 35	RGB 36	RGB 37	RGB 38	RGB 39	RGB 40		

PIXEL FLIP ON

RGB 40	RGB 39	RGB 38	RGB 37	RGB 36	RGB 35	RGB 34	RGB 33	RGB 32	RGB 31		
RGB 30	RGB 29	RGB 28	RGB 27	RGB 26	RGB 25	RGB 24	RGB 23	RGB 22	RGB 21		
W6		W5		W4		W3		W2		W1	
RGB 20	RGB 19	RGB 18	RGB 17	RGB 16	RGB 15	RGB 14	RGB 13	RGB 12	RGB 11		
RGB 10	RGB 9	RGB 8	RGB 7	RGB 6	RGB 5	RGB 4	RGB 3	RGB 2	RGB 1		

COLOR MACROS CHART

DMX VALUES	RED	GREEN	BLUE
001	247	7	0
002	241	13	0
003	235	19	0
004	230	24	0
005	224	30	0
006	220	34	0
007	215	39	0
008	211	43	0
009	207	47	0
010	203	51	0
011	199	55	0
012	196	58	0
013	192	62	0
014	189	65	0
015	186	68	0
016	183	71	0
017	180	74	0
018	178	76	0
019	175	79	0
020	173	81	0
021	170	84	0
022	168	86	0
023	165	89	0
024	163	91	0
025	161	93	0
026	159	95	0
027	157	97	0
028	154	100	0
029	152	102	0
030	150	104	0
031	148	106	0
032	147	107	0
033	145	109	0
034	143	111	0
035	141	113	0
036	139	115	0
037	137	117	0
038	135	119	0
039	133	121	0
040	132	122	0
041	130	124	0
042	128	126	0
043	126	128	0

DMX VALUES	RED	GREEN	BLUE
044	124	130	0
045	123	131	0
046	121	133	0
047	119	135	0
048	117	137	0
049	115	139	0
050	113	141	0
051	111	143	0
052	110	144	0
053	108	146	0
054	106	148	0
055	104	150	0
056	102	152	0
057	100	154	0
058	97	157	0
059	95	159	0
060	93	161	0
061	91	163	0
062	89	165	0
063	86	168	0
064	84	170	0
065	82	172	0
066	79	175	0
067	76	178	0
068	74	180	0
069	71	183	0
070	68	186	0
071	65	189	0
072	62	192	0
073	58	196	0
074	55	199	0
075	51	203	0
076	47	207	0
077	41	211	0
078	39	215	0
079	35	219	0
080	30	224	0
081	25	229	0
082	19	235	0
083	13	241	0
084	7	247	0
085	0	254	0
086	0	247	7

COLOR MACROS CHART

DMX VALUES	RED	GREEN	BLUE
087	0	241	13
088	0	235	19
089	0	230	24
090	0	224	30
091	0	220	34
092	0	215	39
093	0	211	43
094	0	207	47
095	0	203	51
096	0	199	55
097	0	195	58
098	0	192	62
099	0	189	65
100	0	186	68
101	0	183	71
102	0	180	74
103	0	178	76
104	0	175	79
105	0	173	81
106	0	170	84
107	0	168	86
108	0	165	89
109	0	163	91
110	0	161	93
111	0	159	95
112	0	157	97
113	0	154	100
114	0	152	102
115	0	150	104
116	0	148	106
117	0	147	107
118	0	145	109
119	0	143	111
120	0	141	113
121	0	139	115
122	0	137	117
123	0	135	119
124	0	133	121
125	0	132	122
126	0	130	124
127	0	128	126
128	0	126	128
129	0	124	130

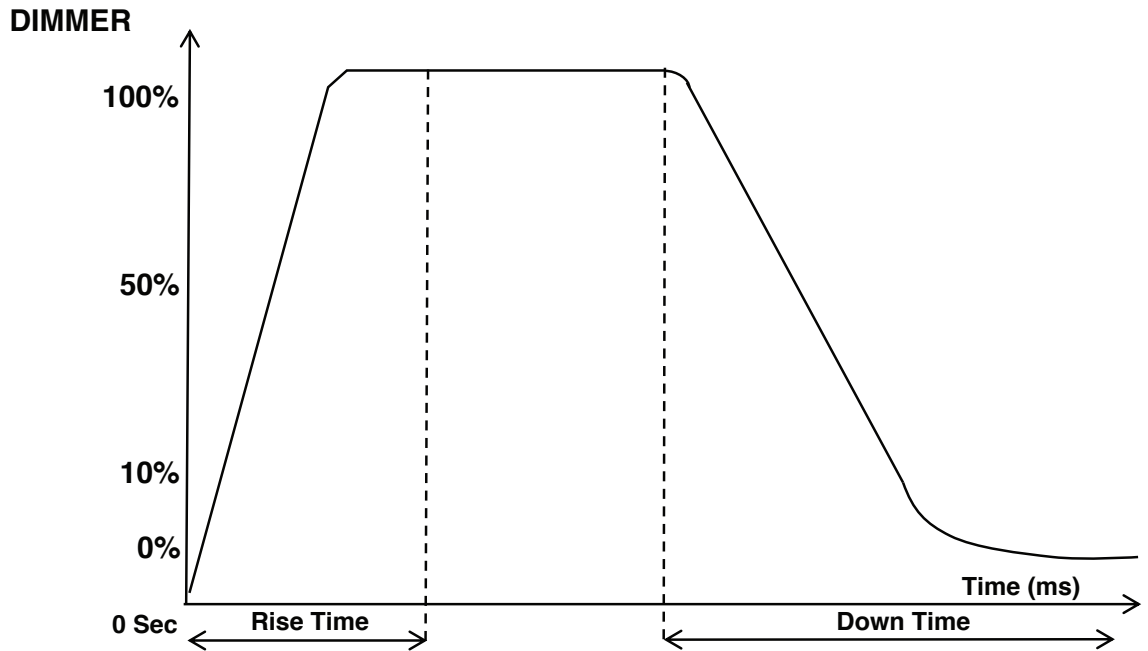
DMX VALUES	RED	GREEN	BLUE
130	0	123	131
131	0	121	133
132	0	119	135
133	0	117	137
134	0	115	139
135	0	113	141
136	0	111	143
137	0	110	144
138	0	108	146
139	0	106	148
140	0	104	150
141	0	102	152
142	0	100	154
143	0	97	157
144	0	95	159
145	0	93	161
146	0	91	163
147	0	89	165
148	0	86	168
149	0	84	170
150	0	82	172
151	0	79	175
152	0	76	178
153	0	74	180
154	0	71	183
155	0	68	186
156	0	65	189
157	0	62	192
158	0	58	196
159	0	55	199
160	0	51	203
161	0	47	207
162	0	43	211
163	0	39	215
164	0	35	219
165	0	30	224
166	0	25	229
167	0	19	235
168	0	13	241
169	0	7	247
170	0	0	254
171	7	0	247
172	13	0	241

COLOR MACROS CHART

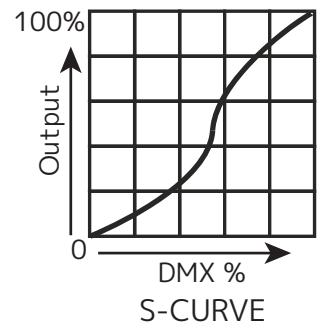
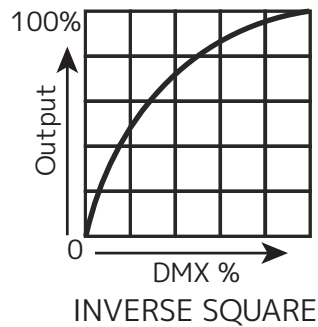
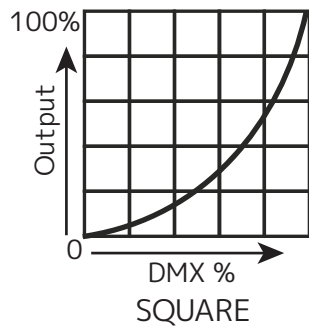
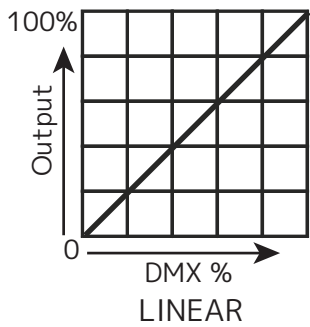
DMX VALUES	RED	GREEN	BLUE
173	19	0	235
174	24	0	230
175	30	0	224
176	34	0	220
177	39	0	215
178	43	0	211
179	47	0	207
180	51	0	203
181	55	0	199
182	58	0	196
183	62	0	192
184	65	0	189
185	68	0	186
186	71	0	183
187	74	0	180
188	76	0	178
189	79	0	175
190	81	0	173
191	84	0	170
192	86	0	168
193	89	0	165
194	91	0	163
195	93	0	161
196	95	0	159
197	97	0	157
198	100	0	154
199	102	0	152
200	104	0	150
201	106	0	148
202	107	0	147
203	109	0	145
204	111	0	143
205	113	0	141
206	115	0	139
207	117	0	137
208	119	0	135
209	121	0	133
210	122	0	132
211	124	0	130
212	126	0	128
213	128	0	126
214	130	0	124
215	131	0	123

DMX VALUES	RED	GREEN	BLUE
216	133	0	121
217	135	0	119
218	137	0	117
219	139	0	115
220	141	0	113
221	143	0	111
222	144	0	110
223	146	0	108
224	148	0	106
225	150	0	104
226	152	0	102
227	154	0	100
228	157	0	97
229	159	0	95
230	161	0	93
231	163	0	91
232	165	0	89
233	168	0	86
234	170	0	84
235	172	0	82
236	175	0	79
237	178	0	76
238	180	0	74
239	183	0	71
240	186	0	68
241	189	0	65
242	192	0	62
243	196	0	58
244	199	0	55
245	203	0	51
246	207	0	47
247	211	0	43
248	215	0	39
249	219	0	35
250	224	0	30
251	229	0	25
252	235	0	19
253	241	0	13
254	247	0	7
255	255	0	0

DIM MODES



Dimming Curve Ramp Effect	0 sec Fade Time		1 sec Fade Time	
	Rise Time (ms)	Down Time (ms)	Rise Time (ms)	Down Time (ms)
Standard (default)	0	0	0	0
Stage	780	1100	1540	1660
TV	1180	1520	1860	1940
Architectural	1380	1730	2040	2120
Theatre	1580	1940	2230	2280
Stage 2	0	1100	0	1660



PRIMARY-SECONDARY SET UP

This function allows you to link units together to run in a Primary-Secondary set-up, in which one unit will act as the controlling unit and the others will react to the controlling unit's built-in programs. Any unit can be configured to act as a Primary or as a Secondary, but only one unit in a given system can be programmed to act as the Primary.

Primary-Secondary Connections and Settings:

1. Daisy chain your units via the XLR connectors on the rear panels of each unit. Use standard XLR data cables to link your units together. Remember that the male XLR connector is the input and the female XLR connector is the output. The first unit in the chain (primary) will use the female XLR connector only. The last unit in the chain will use the male XLR connector only.
2. Use the display screen and control panel to navigate to Personality > Prim/Sec. Select this sub-menu using the SETUP button, and use the UP and DOWN buttons to toggle between "Primary" and "Secondary". Press SETUP to confirm your selection.
3. Repeat Step 2 for each unit in the system. Make sure that only one unit is designated as the Primary, while all other units are designated as Secondaries.
4. The secondary units will now follow the behavior of the primary unit.

NOTES:

- Only one unit should be configured as the primary, while all the other units should be configured as secondaries.
- All units should be set to the same DMX channel mode.
- If fixtures fail to sync, verify that all settings mentioned above are the same, then power all devices off, then switch them on again to re-establish the link.

MULTI UNIT POWER LINKING

This feature allows you to connect the fixtures to one another using the power cable input and output sockets.

The maximum number of units that can be linked in this manner is as follows:

- 5 units when running on 120V power.
- 9 units when running on 230V power.

DO NOT EXCEED THIS MAXIMUM NUMBER WHEN POWER LINKING UNITS!

All linked units must be of the same make and model type. Do not mix and match units!

MAINTENANCE GUIDELINES



DISCONNECT POWER BEFORE PERFORMING ANY MAINTENANCE!

CLEANING

Frequent cleaning is recommended to ensure proper function, optimized light output, and an extended life. The frequency of cleaning depends on the environment in which the fixture operates: damp, smoky, or particularly dirty environments can cause greater accumulation of dirt on the fixture's optics. Clean the external lens surface regularly with a soft cloth to avoid dirt/debris accumulation.

NEVER use alcohol, solvents, or ammonia-based cleaners.

MAINTENANCE

Regular inspections are recommended to ensure proper function and extended life. There are no user serviceable parts inside this fixture. Please refer all other service issues to an authorized ADJ service technician. Should you need any spare parts, please order genuine parts from your local ADJ dealer.

Please refer to the following points during routine inspections:

- A. A detailed electrical check by an approved electrical engineer every three months, to make sure the circuit contacts are in good condition and prevent overheating.
- B. Be sure all screws and fasteners are securely tightened at all times. Loose screws may fall out during normal operation, resulting in damage or injury as larger parts could fall.
- C. Check for any deformations on the housing, color lenses, rigging hardware, and rigging points (ceiling, suspension, trussing). Deformations in the housing could allow for dust to enter into the fixture. Damaged rigging points or unsecured rigging could cause the fixture to fall and seriously injure a person(s).
- D. Electric power supply cables must not show any damage, material fatigue, or sediments.

NEVER remove the ground prong from the power cable.

TORQUE SETTINGS FOR SCREWS

IN ORDER TO MAINTAIN THE IP65 RATING ON THE LIGHTING FIXTURES, ALL SCREWS MUST BE TIGHTENED TO THE FOLLOWING TORQUE SPECIFICATION USING A TORQUE DRIVER.

Refer to the table and diagram below for torque specifications.

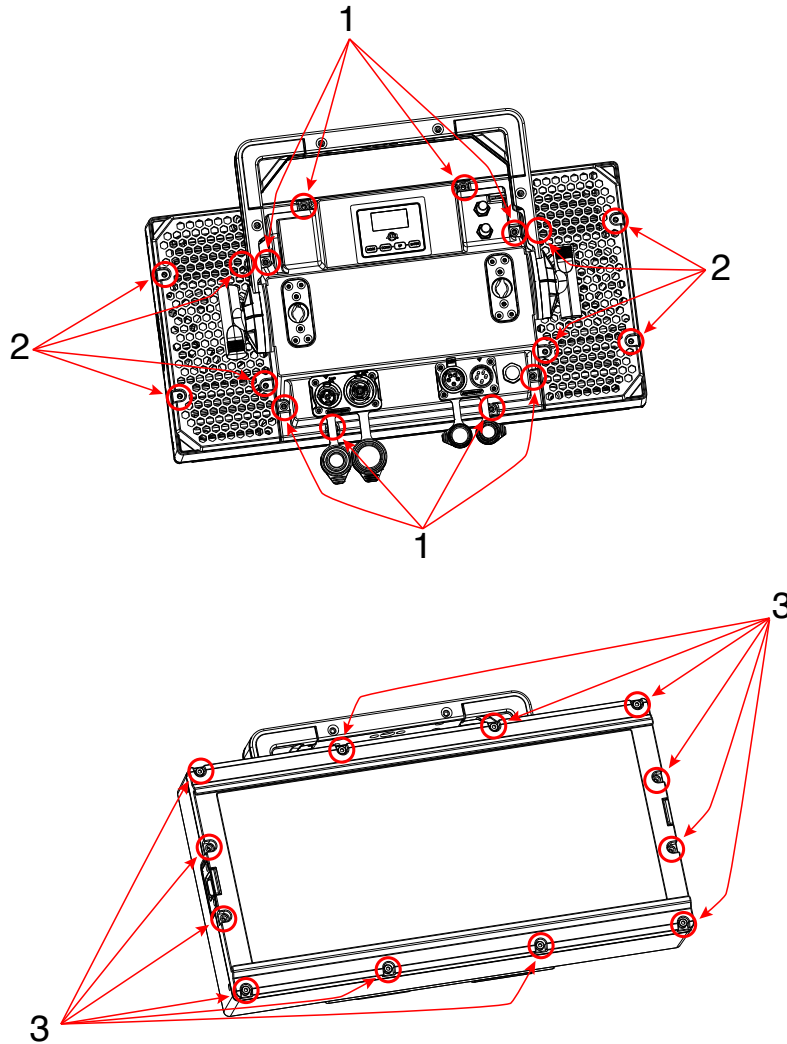
TORQUE DRIVERS (Recommended): UTICA TS-30 (shown)

ALTERNATE DRIVERS:

- Proto J6107A
- Wiha 28887



CAUTION! DO NOT OVER TORQUE SCREWS, AS THIS CAN CAUSE LEAKAGE ISSUES!

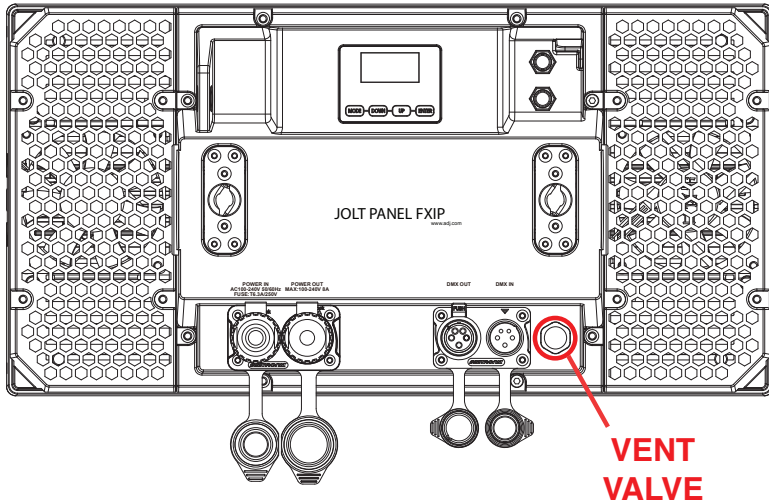


NO.	LOCATION	QUANTITY	TORQUE
1	Rear Center Cover	8	11.3 ± 0.4 lb-in (13.0 ± 0.5 kg-cm)
2	Rear Side Covers	8	4.3 ± 0.4 lb-in (5.0 ± 0.5 kg-cm)
3	Front Cover	12	11.3 ± 0.4 lb-in (13.0 ± 0.5 kg-cm)

IP TEST PARAMETERS

Following any repair or maintenance procedure that requires disassembly of the fixture, use ADJ's Hydro IP Tester to confirm the IP integrity of the fixture. The air valve is located on the back panel next to the display screen, as shown in the diagram below. Please contact ADJ Service for information regarding the ADJ Hydro IP Tester, or visit the product information page online at:

<https://www.adj.com/hydro-ip-tester>



CAUTION! THE USE OF PROTECTIVE GLOVES AND SAFETY GOGGLES IS STRONGLY RECOMMENDED WHILE PERFORMING THE IP PRESSURE TEST! AVOID PLACING YOUR FACE, EYES, HANDS, ETC IN CLOSE PROXIMITY TO THE FIXTURE'S LENS WHILE PERFORMING THE TEST!

DE-HUMIDIFICATION: IP65 fixtures operating in high-humidity environments may experience residual fogging or condensation. Such fogging will not damage the fixture, and can be removed using the following procedure: position the unit with the air valve pointing upwards, then open the air valve and run the unit for 1-2 hours after reaching operating temperature. Then, while the fixture is still hot, re-install the air valve and allow the unit to cool down. Please note that this procedure should be performed in a dry, air-conditioned environment. Avoid additional fogging by drying the fixture completely before placing into a road case.



IP PRESSURE TESTING PARAMETERS					
Low Pressure Limit	High Pressure Limit	Inflation Time	Balance Time	Inspection Time	Acceptable Leakage
2.901 psi (20.0 KPa)	3.336 psi (23.0 KPa)	30 sec	15 sec	15 sec	0.015 psi (0.1 KPa) (100 Pa)

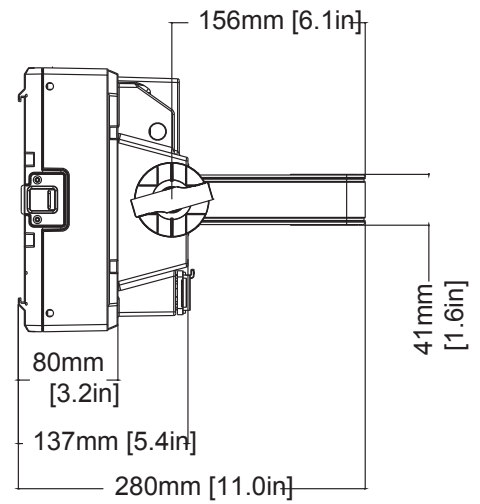
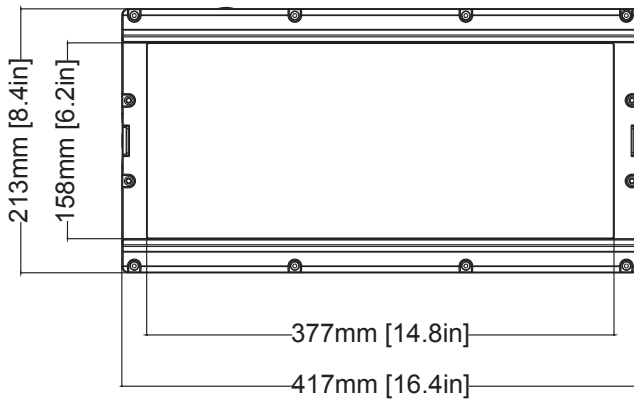
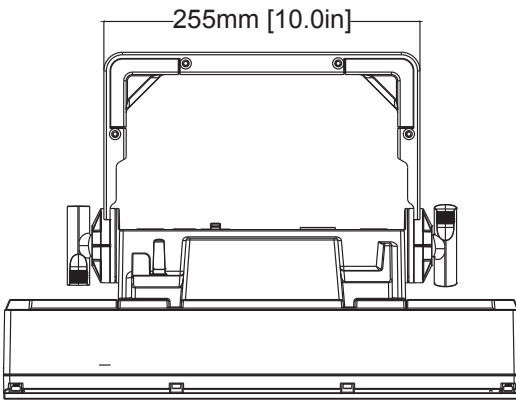
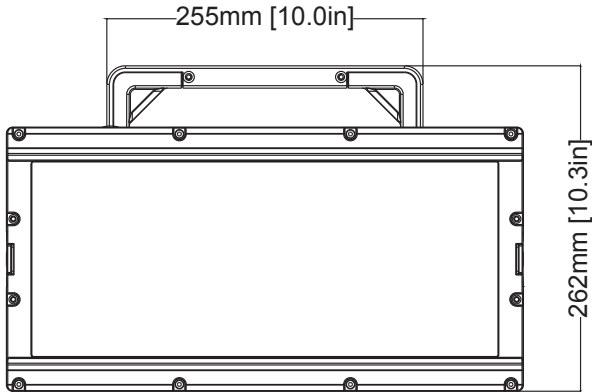
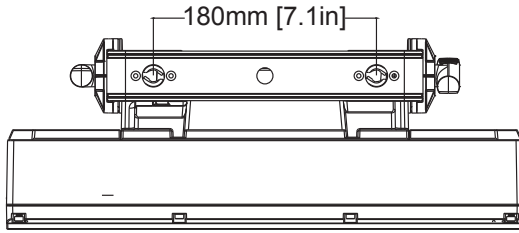
ERROR CODES

ERROR CODE	DESCRIPTION
Temp Error	Temperature error
Fan Error	Cooling fan error

OPTIONAL ACCESSORIES

SKU (US)	SKU (EU)	DESCRIPTION
JPF001	1226100508	JPFXBLKF - Jolt Panel FX2 / FXIP Black Filter
JPF014	1226100509	JPFXLINF - Jolt Panel FX2 / FXIP 1x60° Linear Effect Filter
JPF027	1226100510	JPFX60X1LF - Jolt Panel FX2 / FXIP 60X1° Linear Effect Filter

DIMENSIONAL DRAWINGS



SPECIFICATIONS

Light Source:

- 800 x 0.5-Watt RGB SMD LEDs + 48 x 5-Watt Cool White SMD LEDs
- 73° Beam Angle
- 111° Field Angle
- RGB LED Specs: Red: 620-630nm; Green: 515-525nm; Blue: 460-470nm.
- White LEDs CCT: Typical 7400K (Min 6900-Max 8000), 472nm
- CRI: 69.4
- 50,000 Hour Average LED Life

Features:

- 40 x RGB LED Zones (126, 141, and 143 ch modes)
- 6 x Cool White LED Zones (51, 81, 83, 126, 141, and 143 ch modes)
- 67 Built-In Color Temperature Presets (2300K-8900K)
- 25 built-in RGB LED Program Macros
- 9 built-in Cool White LED Program Macros
- Integrated Aria X2 Management Suite
- Channel for Light Shaping Filters (to Blur Pixel Dots)
- Includes Frost Lens Filter
- Built-in Receivers to Connect an Omega Bracket (sold separately)

Control:

- Control Protocols: DMX, Aria X2 and RDM
- 14 DMX Channel Modes: 6, 9, 13, 18, 20, 36, 41, 43, 51, 81, 83, 126, 141 and 144 channel modes
- Dim Modes: 6 Presets (Standard, Stage, TV, Architectural, Theatre & Stage 2)
- Dim Curves: 4 Presets (Linear, Square Law, Inv Square Law & S Curve)
- 0-100% Smooth Dimming
- Strobe: Ramp Up / Down, Lighting, and Random
- Max Strobe Rate 20Hz; Min Strobe Rate: 1Hz.
- Selectable LED Refresh Rate: 900Hz - 25kHz.
- With Wired Digital Communication Network
- Display: OLED Display with 4-Button Touch Menu

Connections:

- Data: IP65-rated Outdoor Locking 5-pin DMX In/Out
- Power: IP65-rated Outdoor Locking Power In/Out

Electrical:

- 100-240V 50Hz/60Hz (Auto Sensing)
- Max Power Consumption: 214W @120V; 208W @230V
- Max Power Link: 6pcs @120V; 12pcs @230V
- Fuse Protected: T5A/250V Glass Fuse (5*20MM)

Dimensions / Weight:

- Length: 16.4" (417mm)
- Width: 11.0" (280mm)
- Height: 8.4" (213mm)
- Weight: 20.1 lbs. (9.1 kg)

Approvals and Ratings:

- CE
- cETLus (control #4010765)
- IP65



IP65



