



ENCORE PROFILE MINI WW

User Instructions

©2024 ADJ Products, LLC all rights reserved. Information, specifications, diagrams, images, and instructions herein are subject to change without notice. ADJ Products, LLC logo and identifying product names and numbers herein are trademarks of ADJ Products, LLC. Copyright protection claimed includes all forms and matters of copyrightable materials and information now allowed by statutory or judicial law or hereinafter granted. Product names used in this document may be trademarks or registered trademarks of their respective companies and are hereby acknowledged. All non-ADJ Products, LLC brands and product names are trademarks or registered trademarks of their respective companies.

ADJ Products, LLC and all affiliated companies hereby disclaim any and all liabilities for property, equipment, building, and electrical damages, injuries to any persons, and direct or indirect economic loss associated with the use or reliance of any information contained within this document, and/or as a result of the improper, unsafe, insufficient and negligent assembly, installation, rigging, and operation of this product.

ADJ PRODUCTS LLC World Headquarters

6122 S. Eastern Ave. | Los Angeles, CA 90040 USA

Tel: 800-322-6337 | Fax: 323-582-2941 | www.adj.com | lsupport@adj.com

ADJ Supply Europe B.V.

Junostraat 2 | 6468 EW Kerkrade | Netherlands

Tel: +31 45 546 85 00 | Fax: +31 45 546 85 99 | www.americandj.eu | service@americandj.eu

Europe Energy Saving Notice

Energy Saving Matters (EuP 2009/125/EC)

Saving electric energy is a key to help protecting the environment. Please turn off all electrical products when they are not in use. To avoid power consumption in idle mode, disconnect all electrical equipment from power when not in use. Thank you!

DOCUMENT VERSION



Due to additional product features and/or enhancements, an updated version of this document may be available online. Please check www.adj.com for the latest revision/update of this manual before beginning installation and/or programming.

Date	Document Version	Software Version	DMX Channels	Notes
01/06/2023	1.0	1.00	2 / 3 / 6 channels	Initial Release.
05/30/2023	1.1	N/C	No Change	Updated Specifications.
08/09/2023	1.2	N/C	No Change	Updated Specifications, Dimensional Drawings.
12/14/2023	1.3	N/C	No Change	Updated Accessory Information
10/21/2024	1.4	N/C	No Change	Gobo & clip installation for EP Mini GH

CONTENTS

Introduction	4
Limited Warranty (USA Only)	5
Warranty Registration Features	6
Safety Guidelines	7
Overview	8
Installation	9
Accessory Installation	13
Gobo	15
Operation	17
Remote Device Management (RDM)	18
System Menu	19
DMX Setup	21
DMX Traits	23
Dim Modes	26
Daisy Chain Power Linking Cleaning & Maintenance	27
Dimensional Drawing	28
Specifications	31
Error Codes Accessory Information	32

INTRODUCTION

Unpacking: Thank you for purchasing the Encore Profile Pro Color by ADJ Products, LLC. Every Encore Profile Pro Color has been thoroughly tested and has been shipped in perfect operating condition. Carefully check the shipping carton for damage that may have occurred during shipping. If the carton appears to be damaged, carefully inspect your fixture for any damage and be sure all accessories necessary to operate the unit has arrived intact. In the event that damage has been found or parts are missing, please contact our toll free customer support number for further instructions. Do not return this unit to your dealer without first contacting customer support.

Introduction: The ADJ Encore Profile Pro Color is a DMX intelligent, high powered LED fixture. To optimize the performance of this product, please read these operating instructions carefully to familiarize yourself with the basic operations of this unit. These instructions contain important safety information regarding the use and maintenance of this unit. Please keep this manual with the unit for future reference.

Customer Support: Contact ADJ Service for any product related service and support needs. Also visit forums.adj.com with questions, comments or suggestions.

Parts: To purchase parts online visit:

<http://parts.adj.com> (US)

<http://www.adjparts.eu> (EU)

ADJ SERVICE USA - Monday - Friday 8:00am to 4:30pm PST

Voice: 800-322-6337 | Fax: 323-582-2941 | support@adj.com

ADJ SERVICE EUROPE - Monday - Friday 08:30 to 17:00 CET

Voice: +31 45 546 85 60 | Fax: +31 45 546 85 96 | support@adj.eu

ADJ PRODUCTS LLC USA

6122 S. Eastern Ave. Los Angeles, CA. 90040

323-582-2650 | Fax 323-532-2941 | www.adj.com | info@adj.com

ADJ SUPPLY Europe B.V

Junostraat 2 6468 EW Kerkrade, The Netherlands

+31 (0)45 546 85 00 | Fax +31 45 546 85 99

www.adj.eu | info@adj.eu

ADJ PRODUCTS GROUP Mexico

AV Santa Ana 30 Parque Industrial Lerma, Lerma, Mexico 52000

+52 (728) 282-7070

CAUTION! There are no user serviceable parts inside this unit. Do not attempt any repairs yourself, as doing so will void your manufacturer's warranty. In the unlikely event your unit may require service, please contact ADJ Products, LLC.

Do not discard the shipping cartoon in the trash. Please recycle when ever possible.

LIMITED WARRANTY (USA ONLY)

- A. ADJ Products, LLC hereby warrants, to the original purchaser, ADJ Products, LLC products to be free of manufacturing defects in material and workmanship for a prescribed period from the date of purchase (see specific warranty period on reverse). This warranty shall be valid only if the product is purchased within the United States of America, including possessions and territories. It is the owner's responsibility to establish the date and place of purchase by acceptable evidence, at the time service is sought.
- B. For warranty service, you must obtain a Return Authorization number (RA#) before sending back the product-please contact ADJ Products, LLC Service Department at 800-322-6337. Send the product only to the ADJ Products, LLC factory. All shipping charges must be pre-paid. If the requested repairs or service (including parts replacement) are within the terms of this warranty, ADJ Products, LLC will pay return shipping charges only to a designated point within the United States. If the entire instrument is sent, it must be shipped in its original package. No accessories should be shipped with the product. If any accessories are shipped with the product, ADJ Products, LLC shall have no liability whatsoever for loss of or damage to any such accessories, or for the safe return thereof.
- C. This warranty is void if the serial number has been altered or removed; if the product is modified in any manner which ADJ Products, LLC concludes, after inspection, affects the reliability of the product, if the product has been repaired or service by anyone other than ADJ Products, LLC factory unless prior written authorization was issued to purchaser by ADJ Products, LLC; if the product is damaged because not properly maintained as set forth in the instruction manual.
- D. This is not a service contract, and this warranty does not include maintenance, cleaning or periodic check up. During the period specified above, ADJ Products, LLC will replace defective parts at its expense with new or refurbished parts, and will absorb all expenses for warranty service and repair labor by reason of defects in material or workmanship. The sole responsibility of ADJ Products, LLC under this warranty shall be limited to the repair of the product, or replacement thereof, including parts, at the sole discretion of ADJ Products, LLC. All products covered by this warranty were manufactured after August 15, 2012, and bear identifying marks to that effect.
- E. ADJ Products, LLC reserves the right to make changes in design and/or improvements upon its products without any obligation to include these changes in any products theretofore manufactured.
- F. No warranty, whether expressed or implied, is given or made with respect to any accessory supplied with products described above. Except to the extent prohibited by applicable law, all implied warranties made by ADJ Products, LLC in connection with this product, including warranties of merchantability or fitness, are limited in duration to the warranty period set forth above. And no warranties, whether expressed or implied, including warranties of merchantability or fitness, shall apply to this product after said period has expired. The consumer's and/or Dealer's sole remedy shall be such repair or replacement as is expressly provided above; and under no circumstances shall ADJ Products, LLC be liable for any loss or damage, direct or consequential, arising out of the use of, or inability to use, this product.
- G. This warranty is the only written warranty applicable to ADJ Products, LLC Products and supersedes all prior warranties and written descriptions of warranty terms and conditions heretofore published.

LIMITED WARRANTY PERIODS

- **Non L.E.D. Lighting Products = 1-year (365 days) Limited Warranty** (Such as: Special Effect Lighting, Intelligent Lighting, UV lighting, Strobes, Fog Machines, Bubble Machines, Mirror Balls, Par Cans, Trussing, Lighting Stands etc. excluding LED and lamps)
- **Laser Products = 1 Year (365 Days) Limited Warranty** (excludes laser diodes which have 6 month limited warranty)
- **L.E.D. Products = 2-year (730 days) Limited Warranty** (excluding batteries which have a 180 day limited warranty)
Note: 2 Year Warranty only applies to purchases within the United States.
- **StarTec Series = 1 Year Limited Warranty** (excluding batteries which have a 180 day limited warranty)
- **ADJ DMX Controllers = 2 Year (730 Days) Limited Warranty**

WARRANTY REGISTRATION

The Encore Profile Pro Color carries a 2 year limited warranty. Please fill out the enclosed warranty card to validate your purchase. All returned service items, whether under warranty or not, must be freight pre-paid and accompanied by a return authorization (R.A.) number. The R.A. number must be clearly written on the outside of the return package. A brief description of the problem as well as the R.A. number must also be written down on a piece of paper included in the shipping carton. If the unit is under warranty, you must provide a copy of your proof of purchase invoice. You may obtain an R.A. number by contacting our customer support team on our customer support number. All packages returned to the service department not displaying an R.A. number on the outside of the package will be returned to the shipper.

FEATURES

The ADJ Encore Profile Mini WW is a feature-packed ellipsoidal that is ideal for applications where space is at a premium. It features a 40W warm white (3000K) LED light engine, which offers an output of 900 Lumens and a phenomenally high CRI of >98. For maximum versatility, it can be used with a choice of two manual zoom lens options and is supplied with a holder for “E” size GOBOs. This small, but perfectly formed, luminaire is suitable for a wide range of applications, including small theatres, bar stages, museums, theme park attractions and window displays.

INCLUDED ITEMS

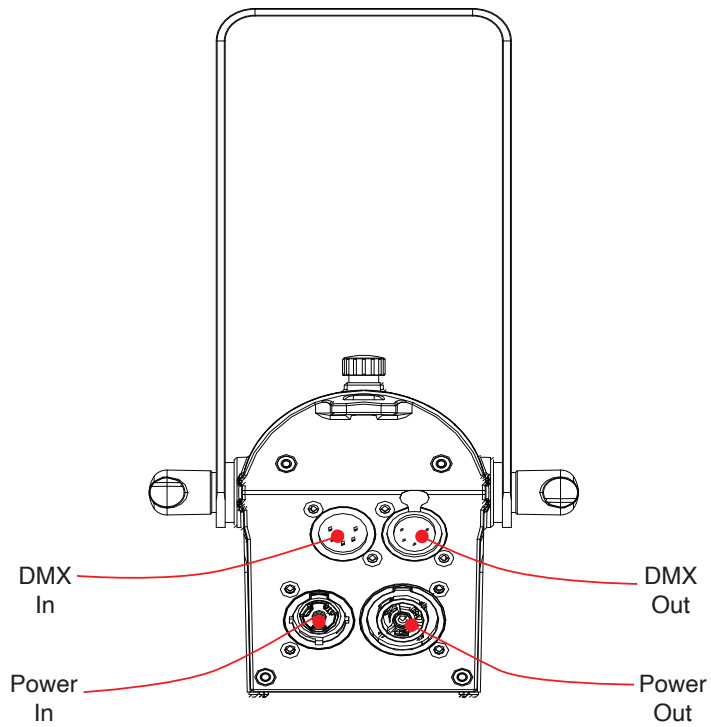
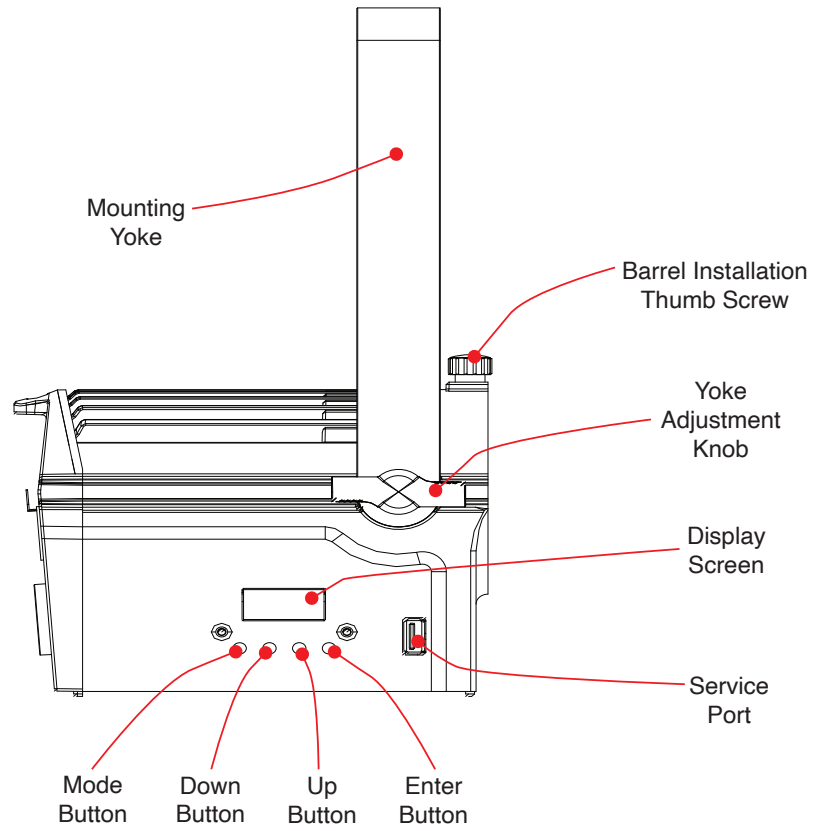
- Power Cable (x1)

SAFETY GUIDELINES

THIS FIXTURE IS COMPOSED OF SOPHISTICATED ELECTRONIC COMPONENTS. TO GUARANTEE SMOOTH OPERATION, IT IS IMPORTANT TO FOLLOW ALL INSTRUCTIONS AND GUIDELINES IN THIS MANUAL. ADJ PRODUCTS, LLC IS NOT RESPONSIBLE FOR INJURY AND/OR DAMAGES RESULTING FROM THE MISUSE OF THIS FIXTURE DUE TO THE DISREGARD OF THE INFORMATION PRINTED IN THIS MANUAL. ONLY QUALIFIED AND/OR CERTIFIED PERSONNEL SHOULD PERFORM INSTALLATION OF THIS FIXTURE AND ONLY THE ORIGINAL RIGGING PARTS INCLUDED WITH THIS FIXTURE SHOULD BE USED FOR INSTALLATION. ANY MODIFICATIONS TO THE FIXTURE AND/OR CERTIFIED PERSONNEL SHOULD PERFORM INSTALLATION OF THIS FIXTURE AND/OR THE INCLUDED MOUNTING HARDWARE WILL VOID THE ORIGINAL MANUFACTURER'S WARRANTY AND INCREASE THE RISK OF DAMAGE AND/OR PERSONAL INJURY.

- PROTECTION CLASS 1 - FIXTURE MUST BE PROPERLY GROUNDED.
- THERE ARE NO USER SERVICEABLE PARTS INSIDE THIS UNIT.
- DO NOT ATTEMPT ANY REPAIRS YOURSELF; DOING SO WILL VOID YOUR MANUFACTURER'S WARRANTY. DAMAGES RESULTING FROM MODIFICATIONS TO THIS FIXTURE AND/OR THE DISREGARD OF SAFETY INSTRUCTIONS AND GUIDELINES IN THIS MANUAL VOID THE MANUFACTURER'S WARRANTY AND ARE NOT SUBJECT TO ANY WARRANTY CLAIMS AND/OR REPAIRS.
- DO NOT PLUG FIXTURE INTO A DIMMER PACK!
- NEVER OPEN THIS FIXTURE WHILE IN USE!
- UNPLUG POWER BEFORE SERVICING FIXTURE!
- NEVER TOUCH FIXTURE DURING OPERATION, AS IT MAY BE HOT!
- KEEP FLAMMABLE MATERIALS AWAY FROM FIXTURE!
- NEVER LOOK DIRECTLY INTO THE LIGHT SOURCE!
- RETINA INJURY RISK - MAY INDUCE BLINDNESS!
- SENSITIVE PERSONS MAY SUFFER AN EPILEPTIC SHOCK!
- MINIMUM DISTANCE TO OBJECTS/SURFACES IS 6.6 FEET (2 METERS)
- **AMBIENT TEMPERATURE RANGE IS 14° F TO 113° F (-10°C TO 45°C). DO NOT OPERATE THE DEVICE WHEN AMBIENT TEMPERATURE FALLS OUTSIDE OF THIS RANGE.**
- **MINIMUM DISTANCE TO FLAMMABLE MATERIALS FROM THE SURFACE IS 1.6 FEET (0.5 METER).**
- DO NOT TOUCH the fixture housing during operation. Turn OFF the power and allow approximately 60 minutes for the fixture to cool down before serving.
- DO NOT shake fixture, and avoid brute force when installing and/or operating fixture.
- DO NOT operate fixture if the power cord is frayed, crimped, damaged and/or if any of the power cord connectors are damaged and do not insert into the fixture securely with ease. NEVER force a power cord connector into the fixture. If the power cord or any of its connectors are damaged, replace it immediately with a new one of the same power rating.
- DO NOT block any air ventilation slots. All fan and air inlets must remain clean and never blocked. Allow approx. 6" (15cm) between fixture and other devices or a wall for proper cooling.
- When installing fixture in a suspended environment, always use mounting hardware that is no less than M10 x 25 mm, and always install fixture with an appropriately rated safety cable.
- Always disconnect fixture from main power source before performing any type of service and/or cleaning procedure.
- Only handle the power cord by the plug end. Never pull out the plug by tugging the wire portion of the cord.
- During the initial operation of this fixture, a light smoke or smell may emit from the interior of the fixture. This is a normal process and is caused by excess paint in the interior of the casing burning off from the heat associated with the lamp and will decrease gradually over time.
- Consistent operational breaks will ensure fixture will function properly for many years.
- ONLY Use original packaging and materials to transport the fixture in for service.

OVERVIEW



INSTALLATION



FLAMMABLE MATERIAL WARNING

Keep fixture minimum 5.0 feet (1.5m) away from flammable materials and/or pyrotechnics.



ELECTRICAL CONNECTIONS

A qualified electrician should be used for all electrical connections and/or installations.



USE CAUTION WHEN POWER LINKING FIXTURES OF OTHER MODEL TYPES, AS THE POWER CONSUMPTION OF OTHER MODEL FIXTURES MAY EXCEED THE MAX POWER OUTPUT ON THIS FIXTURE. CHECK SILK SCREEN FOR MAX AMPS.



**MINIMUM DISTANCE TO OBJECTS/SURFACES IS 6.6 FEET (2 METERS).
MINIMUM DISTANCE OF INFLAMMABLE MATERIALS FROM THE SURFACE IS 1.6 FEET (0.5 METER)**

DO NOT INSTALL THE FIXTURE IF YOU ARE NOT QUALIFIED TO DO SO!

- Fixture **MUST** be installed following all local, national, and country commercial electrical and construction codes and regulations.
- Before rigging/mounting a single fixture or multiple fixtures to any metal truss/structure or placing the fixture(s) on any surface, a professional equipment installer **MUST** be consulted to determine if the metal truss/structure or surface is properly certified to safely hold the combined weight of the fixture(s), clamps, cables, and accessories.
- Ambient operating temperature range is **14°F to 113°F (-10°C to 45°C)**. Do not use operate the fixture when ambient temperature falls outside of this range!
- Fixture(s) should be installed in areas outside walking paths, seating areas, or areas were unauthorized personnel might reach the fixture by hand.
- **NEVER** stand directly below the fixture(s) when rigging, removing or servicing.
- Overhead fixture installation must always be secured with a secondary safety attachment, such as an appropriately rated safety cable.
- Allow approximately 60 minutes for the fixture to cool down before servicing.

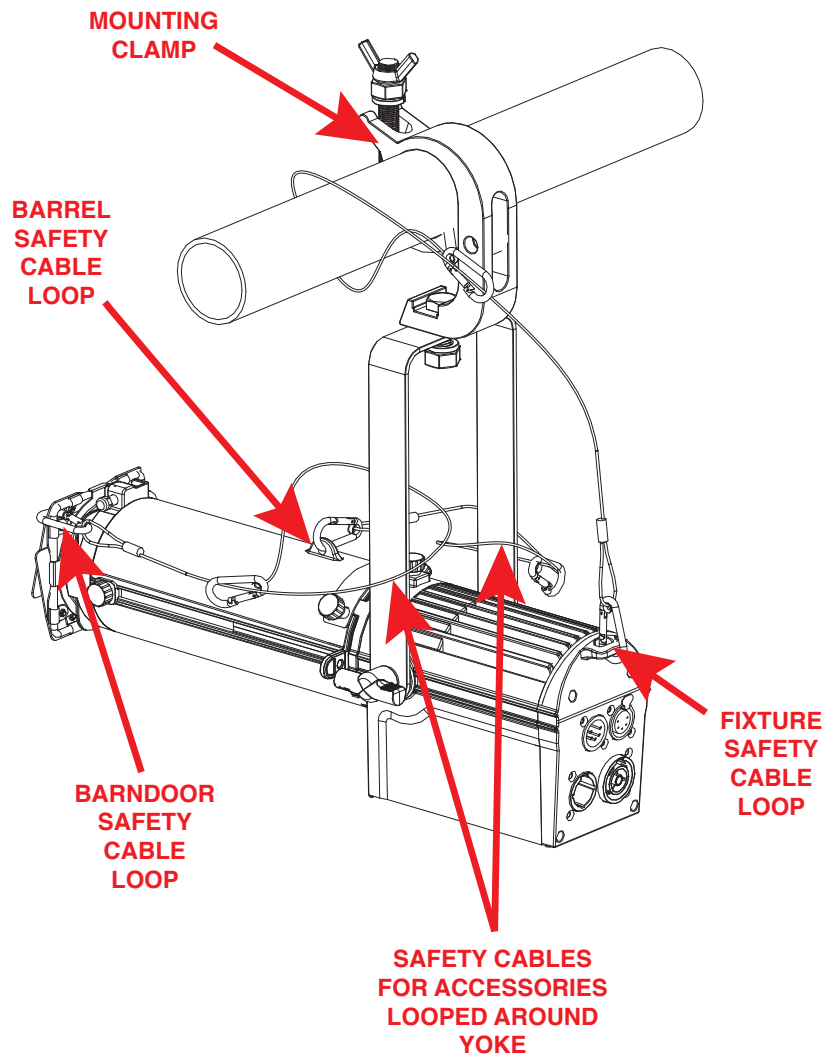
RIGGING

Overhead rigging requires extensive experience, including calculating working load limits, installation material being used, and periodic safety inspection of all installation material and the fixture, among other skills. If you lack these qualifications, do not attempt the installation yourself. Improper installation can result in bodily injury.

INSTALLATION

CLAMP INSTALLATION

This fixture features a mounting point on the yoke for the attachment of a mounting clamp. There is also a safety cable loop located on the rear of the fixture above the DMX ports (see the illustration below). When mounting the fixture to a truss or any other suspended or overhead installation, be sure to secure an appropriately rated clamp (not included) to the yoke, and attach a separate **SAFETY CABLE** of the appropriate weight rating to the safety cable loop. If the barrel and/or barndoor accessories are attached, each accessory must also be secured using its own appropriately rated safety cable, securely and independently looped around the fixture's mounting yoke as shown in the illustration below. Please refer to the **Accessory Installation** section of this manual for detailed information regarding the installation process for these accessories.



SAFETY CABLE:

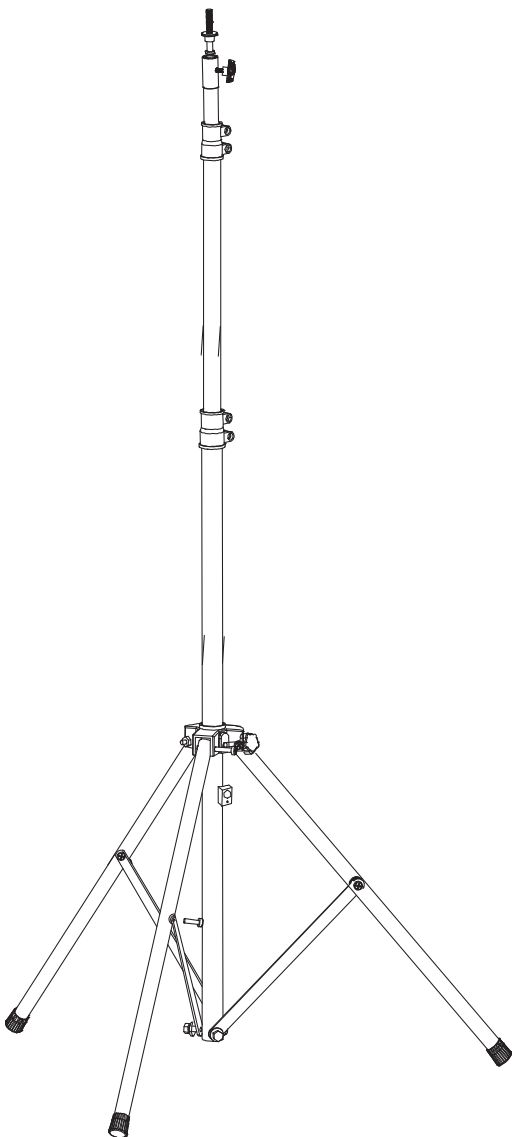
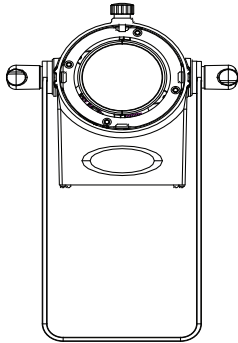
ALWAYS ATTACH A SAFETY CABLE WHENEVER INSTALLING THIS FIXTURE IN A SUSPENDED ENVIRONMENT TO ENSURE THAT THE FIXTURE WILL NOT FALL IF THE CLAMP FAILS. WHEN BARREL AND/OR BARNDOORS ARE INSTALLED, EACH ACCESSORY MUST ALSO BE FITTED WITH ITS OWN SEPARATE SAFETY CABLE.



INSTALLATION

STAND MOUNTING

This unit can also be installed atop a tripod stand. Simply insert the threaded bolt on the top of the tripod stand through the hole in the mounting yoke. Tighten the nut onto the threaded bolt to secure the mounted device in place.



CAUTION!

MAKE SURE THAT THE TRIPOD LEGS AND ALL TELESCOPING ELEMENTS OF THE TRIPOD STAND ARE LOCKED IN PLACE BEFORE INSTALLING THE DEVICE ATOP THE STAND!

POSITION THE TRIPOD STAND AND MOUNTED DEVICE ONLY ON FLAT, STABLE SURFACES! DEPLOY TRIPOD LEGS FULLY IN ORDER TO MAXIMIZE STABILITY!

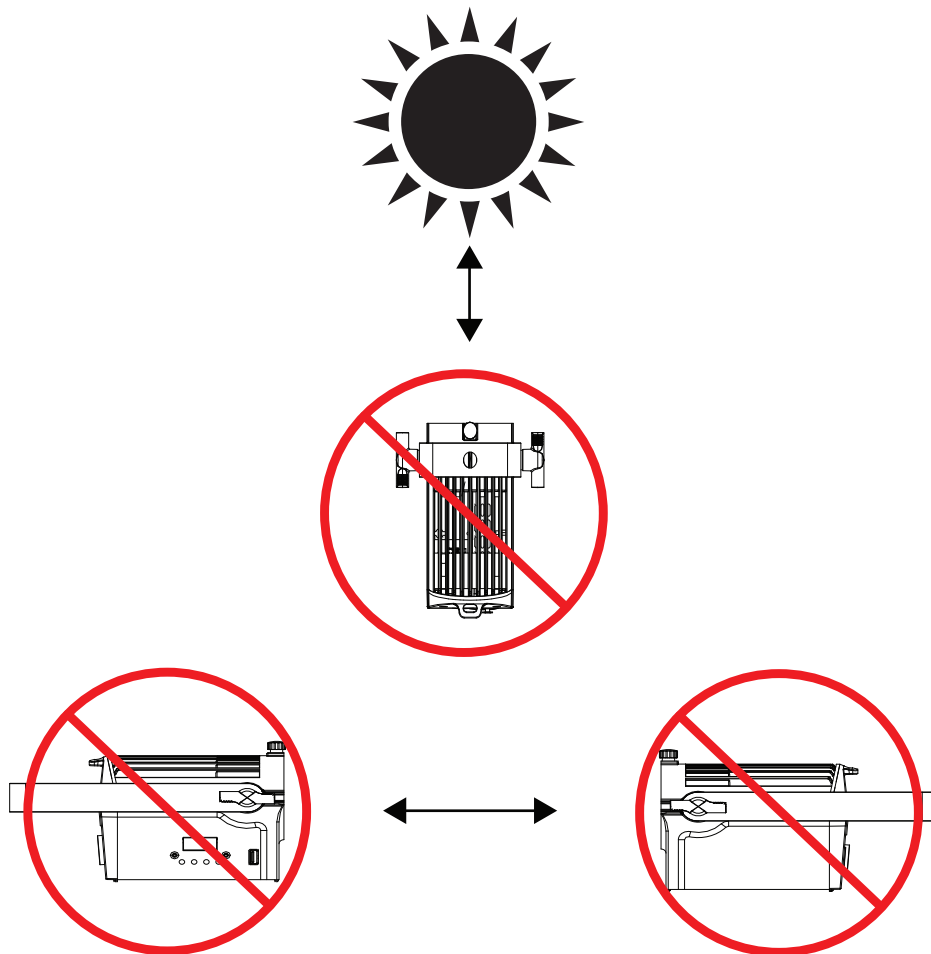
INSTALLATION

POTENTIAL INTERNAL FIXTURE DAMAGE FROM EXTERNAL SOURCES OF LIGHT BEAMS

External sources of light beams from direct sunlight, lighting moving head fixtures, and lasers which are focused directly towards the exterior housing and/or penetrate the front lens opening of ADJ lighting fixtures can cause severe internal damage including burning of optics, dichroic color filters, glass and metal gobos, prisms, animation wheels, frost filters, irises, shutters, motors, belts, wiring, discharge lamps, and LEDs.

This issue is not unique to ADJ lighting fixtures; it is a common issue with lighting fixtures from all manufacturers. Although there is no true way to fully prevent this issue from happening, the guidelines below can reduce the risk of any potential damage if followed. Contact ADJ Service for more details.

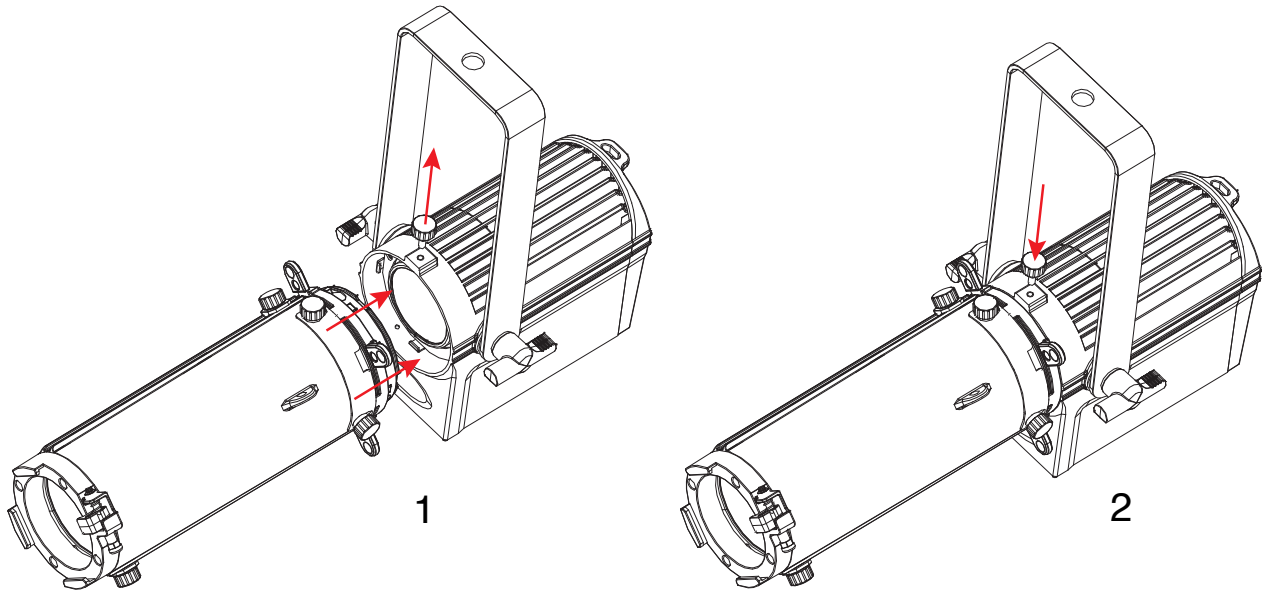
DO NOT EXPOSE THE FIXTURE AND/OR FRONT LENS OPENING TO LIGHT BEAMS FROM DIRECT SUNLIGHT, OTHER LIGHTING MOVING HEAD FIXTURES, AND LASERS DURING UNPACKING, INSTALLATION, USE, AND EXTENDED IDLE TIMES OUTDOORS. DO NOT FOCUS A LIGHT BEAM FROM ONE LIGHTING FIXTURE DIRECTLY TOWARDS ANOTHER.



ACCESSORY INSTALLATION

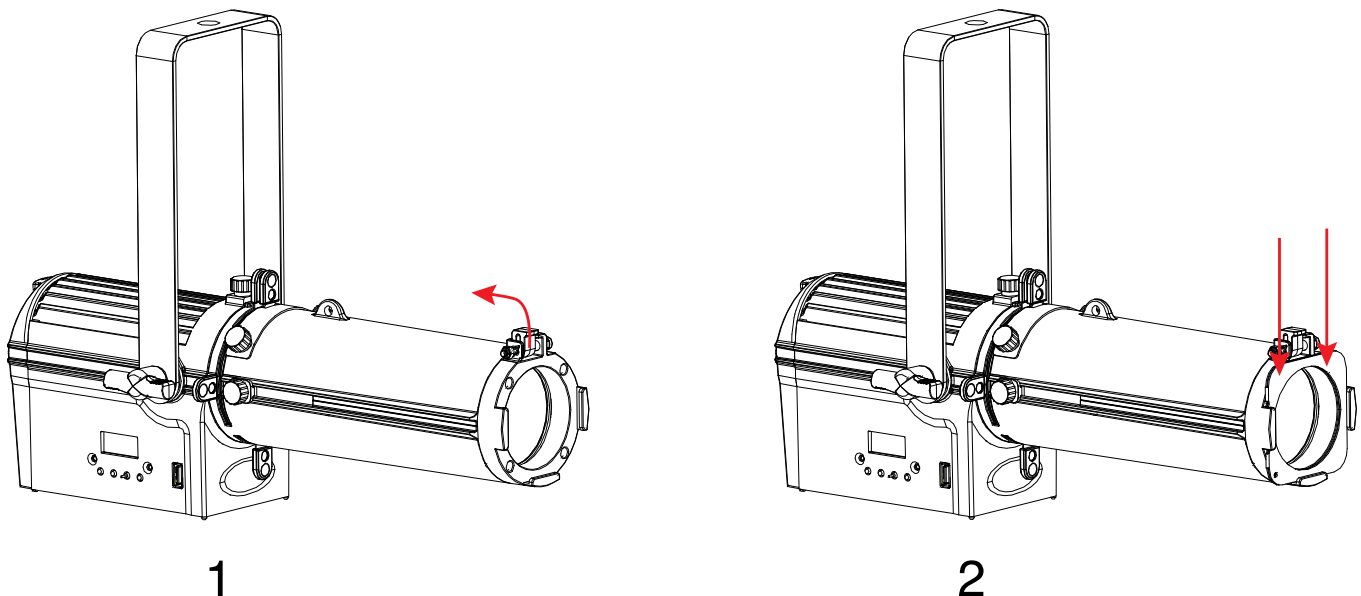
BARREL

To install the barrel, remove the thumbscrew located at the top of the fixture's lens frame, then insert the back end of the barrel (the side closest to the gobo holder) into the lens frame, making sure that the hole on the barrel is aligned with the thumbscrew hole on the lens frame (Fig. 1). Then insert and tighten the thumbscrew to secure the barrel in place (Fig. 2). **Please note that the barrel requires its own separate safety cable when installed in a suspended setting.**



GEL FRAME

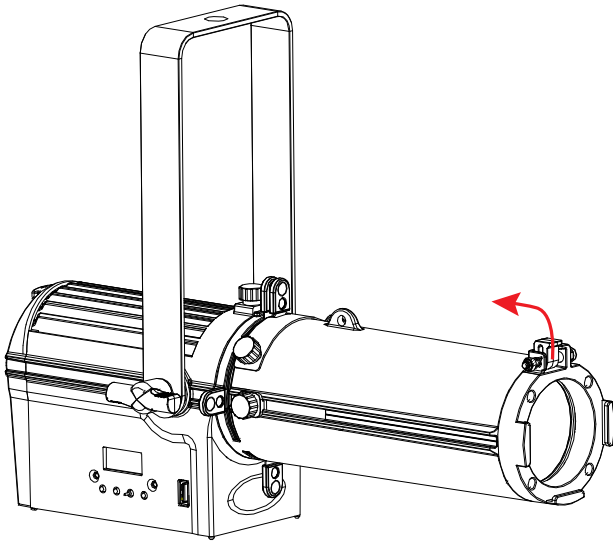
To install the gel frame, press the release on the retainer clip at the end of the barrel, and flip the clip open (Fig. 1). Slide the gel frame into the slot at the end of the barrel (Fig. 2), then close the retainer slip to secure it in place.



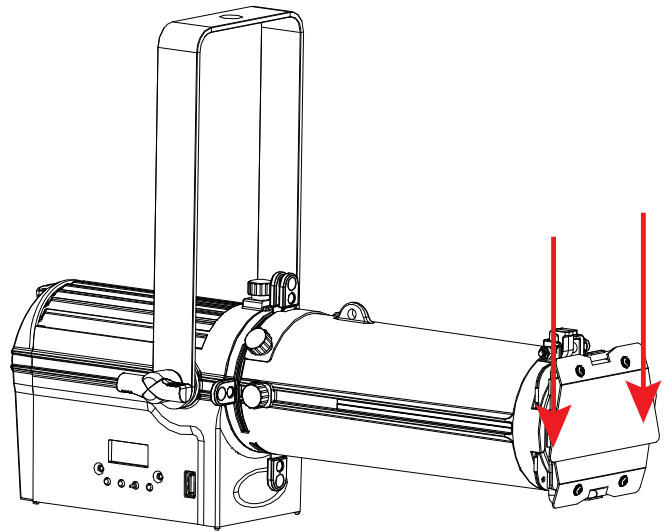
ACCESSORY INSTALLATION

BARNDOORS

To install the barndoors, press the release on the retainer clip at the end of the barrel, and flip the clip open (Fig. 1). Slide the barndoors into the slot at the end of the barrel (Fig. 2). If the gel frame has already been installed, then the barndoors should be installed over the gel frame (the gel frame should be closer to the frame of the barrel). Close the retainer slip to secure the barndoors in place. **Please note that the barndoors require their own separate safety cable when installed in a suspended setting.**



1

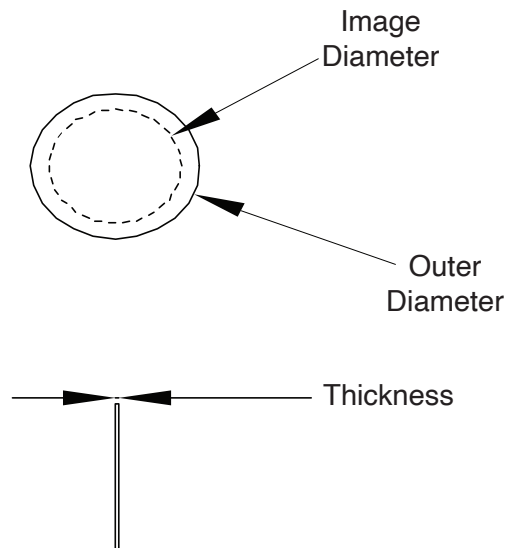


2

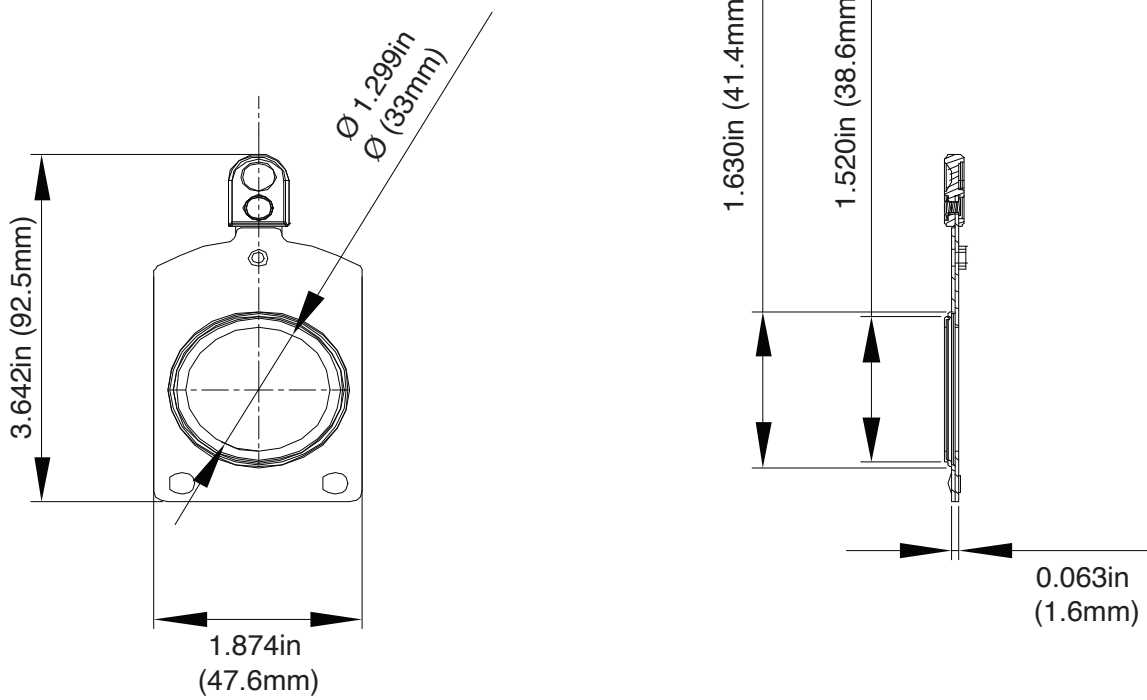
GOBO

GOBO DIMENSIONS

Gobo Type	Outer Diameter	Image Diameter	Thickness
Metal	1.772 in (45mm)	1.220 in (31mm)	0.008 in (0.2mm)
Glass	1.555 in (39.5mm)	1.220 in (31mm)	0.039 in (1mm)



GOBO HOLDER DIMENSIONS

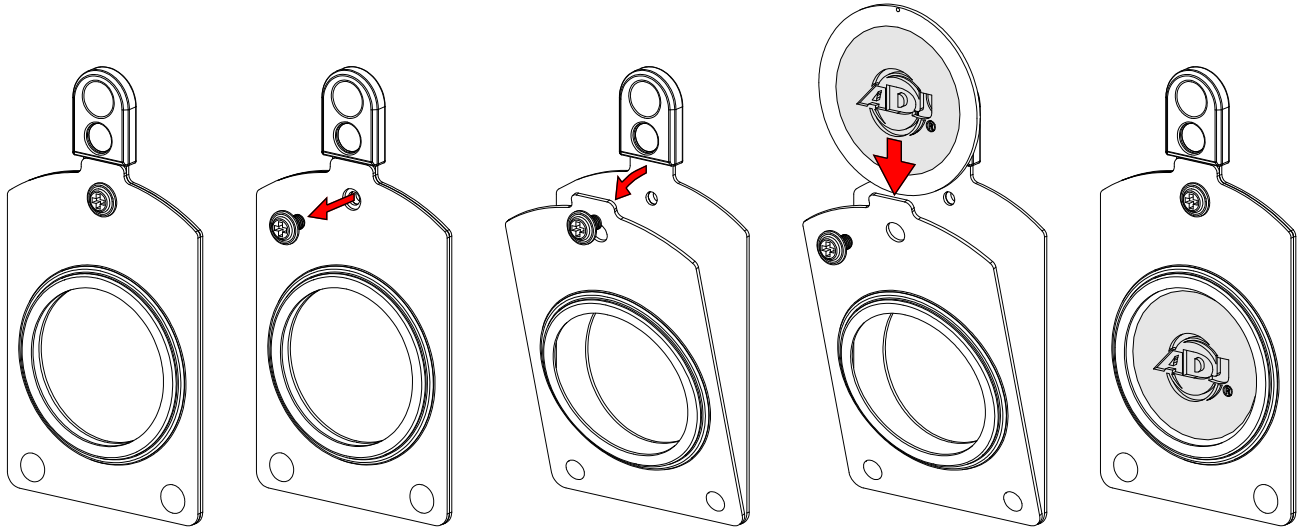


Please note that gobo holder is compatible with "E" size gobos.

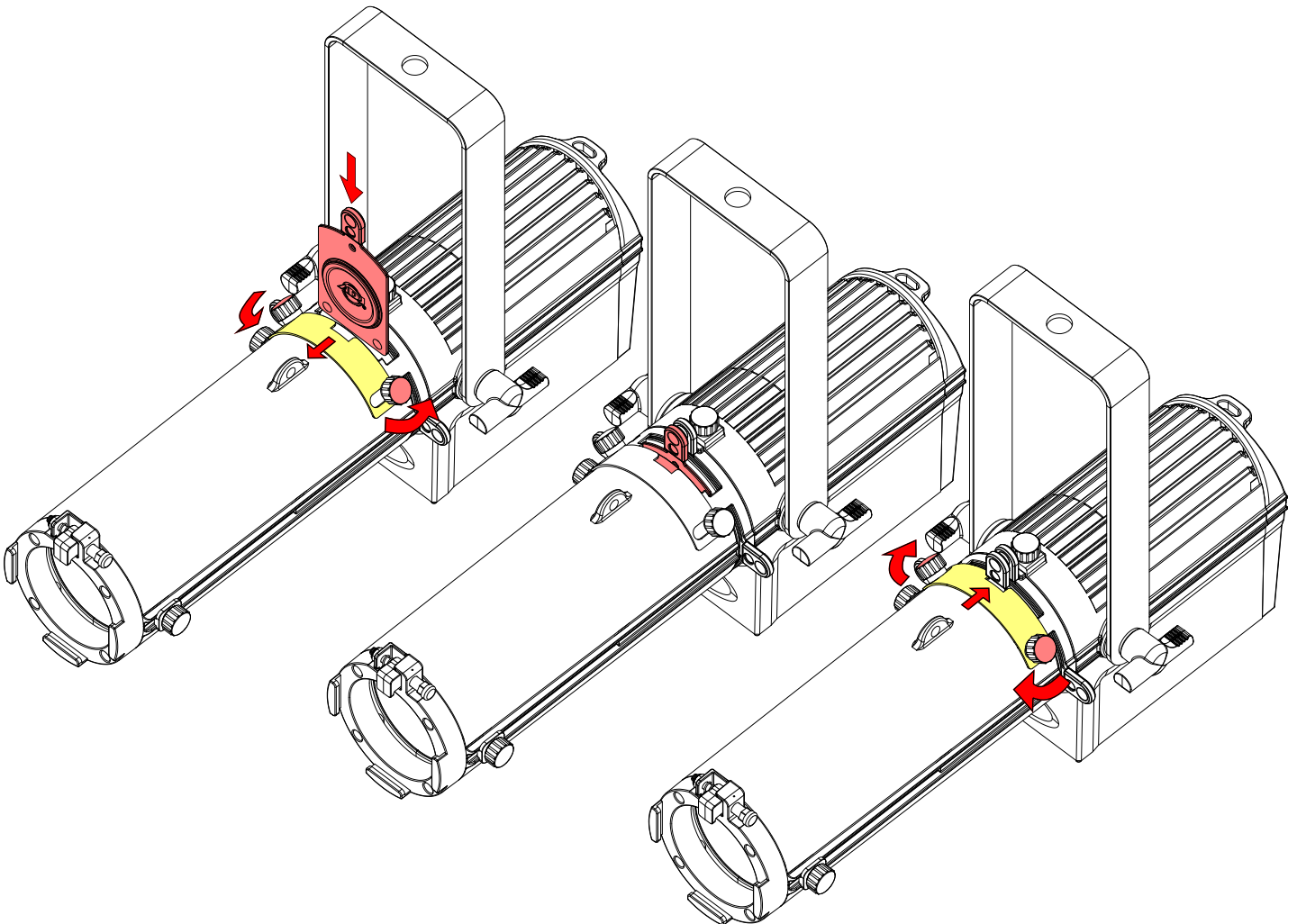
GOBO

INSTALLATION

Unscrew the gobo holder, separate halves (note that front has raised surface, back is flat with handle). Insert gobo with front facing out, then screw back together.



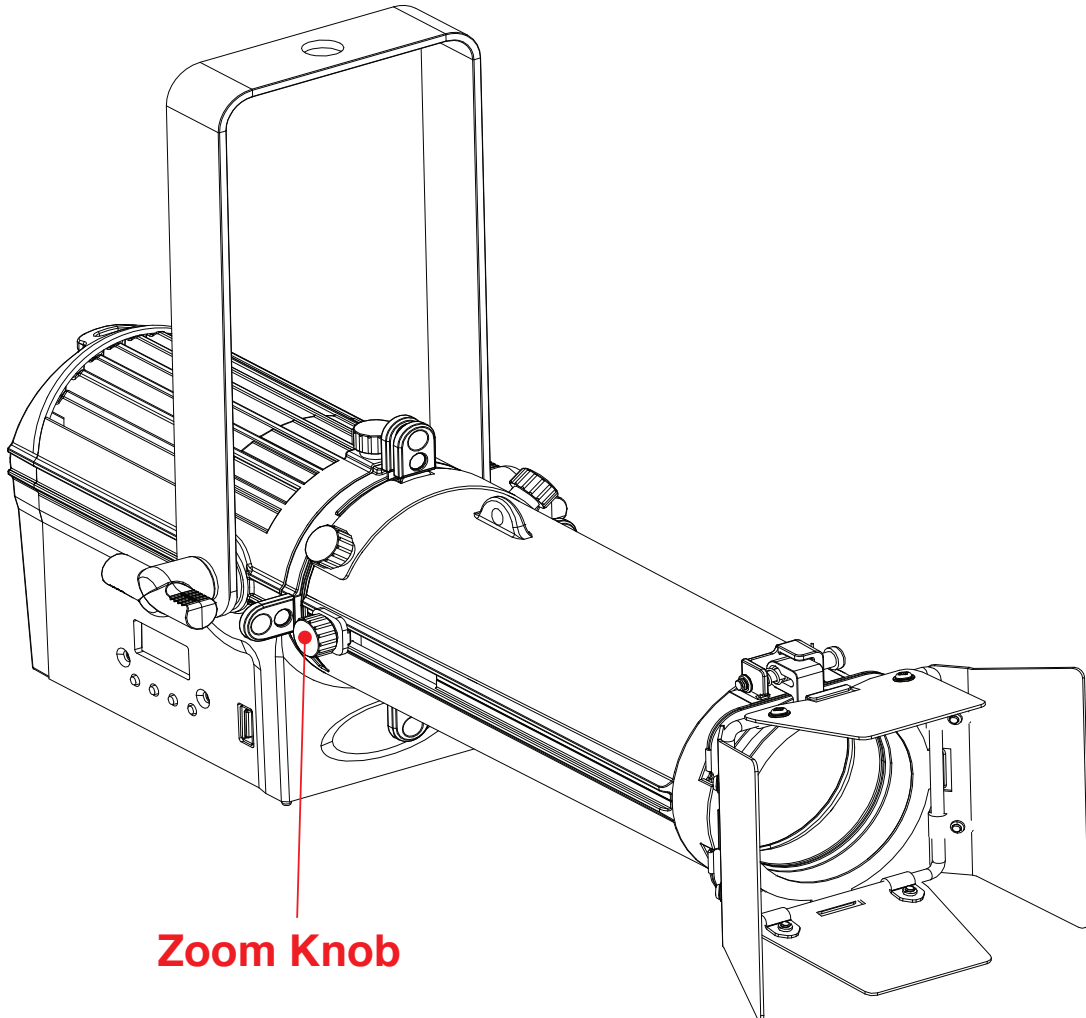
On the barrel, loosen knobs to slide plate forward, revealing slot. Insert holder into slot, front facing forward, slide plate back, tighten knobs.



OPERATION

ZOOM FUNCTION

The zoom function on this fixture is adjusted manually using a sliding knob located on the side of the barrel, as shown in the illustration below. Push the sliding knob towards the front of the barrel to zoom out, or backwards to zoom in.



Zoom Knob

REMOTE DEVICE MANAGEMENT (RDM)

NOTE: In order for RDM to work properly, RDM enabled equipment must be used throughout the entire system, including DMX data splitters and wireless systems.

Remote Device Management (RDM) is a protocol that sits on top of the DMX512 data standard for lighting, allowing the DMX systems of the fixtures to be modified and monitored remotely. This protocol is ideal for instances in which a unit is installed in a location that is not easily accessible.

With RDM, the DMX512 system becomes bi-directional, allowing a compatible RDM enabled controller to send out a signal to devices on the wire, as well as allowing the fixture to respond (known as a GET command). The controller can then use its SET command to modify settings that would typically have to be changed or viewed directly via the unit's display screen, including the DMX Address, DMX Channel Mode, and Temperature Sensors.

FIXTURE RDM INFORMATION:

RDM Code	Device ID	Model ID	Personality IDs
0x1900	32000-FFFF	32	02Ch (1) 03Ch (2) 06Ch (3)

Please be aware that **not all RDM devices support all RDM features**, and therefore it is important to check beforehand to ensure that the equipment that you are considering includes all of the features that you require.

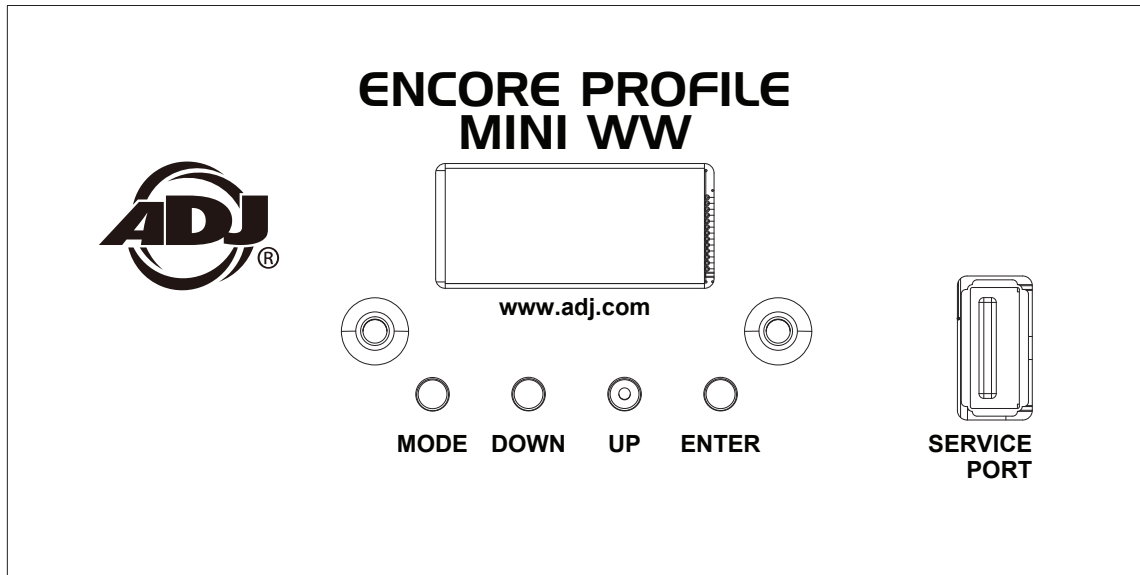
The following parameters are accessible in RDM on this device:

[0x0011] Proxied Device Count	[0x0405] Device Power Cycles
[0x0200] Sensor Definition	[0x0600] Pan Invert
[0x0201] Sensor Value	[0x0601] Tilt Invert
[0x0080] Device Model Description	[0x0602] Pan Tilt Swap
[0x0081] Manufacturer Label	[0x0500] Display Invert
[0x0082] Device Label	[0x0501] Display Level
[0x00E0] DMX Personality	[0x1010] Power State
[0x00E1] DMX Personality Description	[0x1031] Preset Playback
[0x0400] Device Hours	[0x0122] Default Slot Value
[0x0015] Comms Status	[0x00B0] Language
[0x0031] Status ID Description	[0x00A0] Language Capabilities
[0x0032] Clear Status ID	[0x00C2] Boot Software Version Label
[0x0401] Lamp Hours	[0x00C1] Boot Software Version ID
[0x0402] Lamp Strikes	[0x0070] Product Detail ID List
[0x0403] Lamp State	[0x0030] Status Messages
[0x0404] Lamp On Mode	[0x0603] Realtime Clock

SYSTEM MENU

The fixture includes an easy to navigate system menu control panel display where all necessary settings and adjustments are made. (See image below)

- **MODE:** Cycles through the main menu options and/or return to previous menu without making changes.
- **DOWN/UP:** Scroll through options in the selected menu.
- **ENTER:** Select highlighted option and/or confirm selection.



AUTO LOCK

As configured from the factory, the unit will automatically lock the display screen controls after 2 minutes of inactivity. The inactivity period before the controls automatically lock can be adjusted in the System Menu by navigating to PERSONALITY > DISPLAY > AUTO LOCK. To unlock the display screen controls, simply press and hold the Mode button until the controls unlock.

SOFTWARE PORT / SOFTWARE UPDATES

Please contact ADJ customer support for the latest software and updating instructions.

SYSTEM MENU

MENU	OPTIONS / VALUES (Default Settings BOLD)		DESCRIPTION	
DMX SETTINGS	DMX Address	001 - 511	Set DMX address of the unit.	
	DMX Channel Mode	2Ch , 3Ch, 6Ch	Select DMX channel mode	
	No DMX	Hold	If DMX signal is lost, unit holds last settings	
		Blackout	If DMX signal is lost, unit takes all channels to 0	
Manual		If DMX signal is lost, unit defaults to pre-selected manual mode		
PERSONALITY	Dim Modes	Standard , Stage, TV, Architectural, Theatre, Stage 2		
		Dim Speed	0.0s ~ 10s	
	Dim Curves	Square , Linear, Square Inverse, S-Curve		
	PWM Freq	900~1500Hz (1200Hz), 2500Hz, 4000Hz, 5000Hz, 6000Hz, 10KHz, 15KHz, 20KHz, 25KHz	Default = 1200Hz	
	Display	Screen Display	Off, 1min - 9min	Screen goes to sleep after pre-set period of inactivity
		Auto Lock	Off - 10min	Screen controls lock after pre-set period of inactivity, default = 2min
		Flip Display	Yes / No	Invert display orientation
	Service	USB Update	On / Off	Select whether to power up service port in preparation for software updates
Factory Restore		Yes / No	Restore unit to factory default settings	
MANUAL	Dimmer	000 - 255		
	Strobe	000 - 255		
INFORMATION	Life Time	Power On Time	xxxxxx Hours	Total lifetime run hours
	Last Run Time	Power On Tim Able Res	xxxxxx Hours	Run hours since last reset
		Power On Time Reset	Passcode = 038	Reset Power On Tim Able Res hours
	Total Lamp Hours	xxxxxx Hours		Lamp on hours
	Fixture Temp	Current	xxx F / xxx C	Current fixture temperature
		Max Resettable	xxx F / xxx C	Max fixture temperature since last reset
		Last Max Temp Reset	Passcode = 038	Reset Max Resettable temperature
	Software Version	Vx.xx		

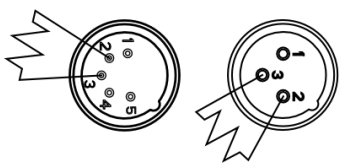
DMX SETUP

DMX-512: DMX is short for Digital Multiplex. This is a universal protocol used as a form of communication between intelligent fixtures and controllers. A DMX controller sends DMX data instructions from the controller to the fixture. DMX data is sent as serial data that travels from fixture to fixture via the DATA “IN” and DATA “OUT” XLR terminals located on all DMX fixtures (most controllers only have a DATA “OUT” terminal).

DMX Linking: DMX is a language allowing all makes and models of different manufacturers to be linked together and operate from a single controller, as long as all fixtures and the controller are DMX compliant. To ensure proper DMX data transmission, try to use the shortest cable path possible when using several DMX fixtures. The order in which fixtures are connected in a DMX line does not influence the DMX addressing. For example, a fixture assigned a DMX address of 1 may be placed anywhere in a DMX line: at the beginning, at the end, or anywhere in the middle. When a fixture is assigned a DMX address of 1, the DMX controller knows to send DATA assigned to address 1 to that unit, no matter where it is located in the DMX chain.

Data Cable (DMX Cable) Requirements (For DMX Operation): This fixture can be controlled via DMX-512 protocol, and features multiple DMX channel modes. Your unit and your DMX controller require 5-pin XLR connectors for data input and data output. If you are making your own cables, be sure to use standard 110-120 Ohm shielded cable (This cable may be purchased at almost all pro lighting stores). Your cables should be made with a male XLR connector at one end and a female XLR connector on the other. Also remember that DMX cable must be daisy chained and cannot be split.

Special Note: Line Termination. When longer runs of cable are used, you may need to use a terminator on the last unit to avoid erratic behavior. A terminator is a 110-120 ohm 1/4 watt resistor which is connected between pins 2 and 3 of a male XLR connector (DATA + and DATA -). This unit is inserted in the female XLR connector of the last unit in your daisy chain to terminate the line. Using a cable terminator (ADJ part number Z-DMX/T) will decrease the chances of erratic behavior.



A DMX512 terminator reduces signal errors, avoiding most signal reflection interference. Connect PIN 2 (DMX-) and PIN 3 (DMX+) of the last fixture in series with a 120 Ohm, 1/4 W Resistor to terminate the DMX512.

DMX SETUP

DMX ADDRESSING

All fixtures should be given a DMX starting address when operating with a DMX controller, in order to ensure that the correct fixture responds to the correct control signal. This digital starting address is the channel number from which the fixture starts to “listen” to the digital control signal sent out from the DMX controller. The assignment of this starting DMX address is achieved by setting the correct DMX address on the digital control display on the fixture.

You can set the same starting address for all fixtures or a group of fixtures, or set different addresses for each individual fixture. Setting all fixtures to the same DMX address will cause all fixtures to react in the same way. In this case, please note that changing the settings of one channel will affect all the fixtures simultaneously.

If you set each fixture to a different DMX address, each unit will start to “listen” to the channel number you have set, based on the quantity of DMX channels of each fixture. That means changing the settings of one channel will only affect the selected fixture.

As an example, when operating this device in 2 channel mode, you should set the starting DMX address of the first unit to 1, the second unit to 3 (1 + 2), the third unit to 5 (1 + 2 + 2), and so on. (See the chart below for more details.)

Channel Mode	Unit 1 Address	Unit 2 Address	Unit 3 Address	Unit 4 Address
2 Channels	1	3	5	7
3 Channels	1	4	7	10
6 Channels	1	7	13	19

DMX TRAITS

CHANNEL			DMX VALUE	FUNCTION
2CH	3CH	6CH		
1	1	1	000 - 255	Dimmer Intensity , 0% to 100%
2	2	2	000 - 255	Dimmer Fine
	3	3		Shutter
			000 - 031	Shutter Closed (LEDs Off)
			032 - 063	Shutter Open (LEDs On)
			064 - 095	Strobe Effect, slow to fast
			096 - 127	Shutter Open (LEDs On)
			128 - 159	Pulse Effect in Sequences
			160 - 191	Shutter Open (LEDs On)
			192 - 223	Random Strobe Effect, slow to fast
			224 - 255	Shutter Open (LEDs On)
		4		Dim Modes
			000 - 020	Default to unit setting
			021 - 040	Standard
			041 - 060	Stage
			061 - 080	TV
			081 - 100	Architectural
			101 - 120	Theatre
			121 - 140	Stage 2
				Dimming Speed
			141	0.1s
			142	0.2s
			143	0.3s
			144	0.4s
			145	0.5s
			146	0.6s
			147	0.7s
			148	0.8s
			149	0.9s
			150	1.0s
			151	1.5s
			152	2.0s
			153	3.0s
			154	4.0s
			155	5.0s
			156	6.0s
			157	7.0s
158	8.0s			
159	9.0s			
160	10.0s			
161 - 255	Default to unit setting			

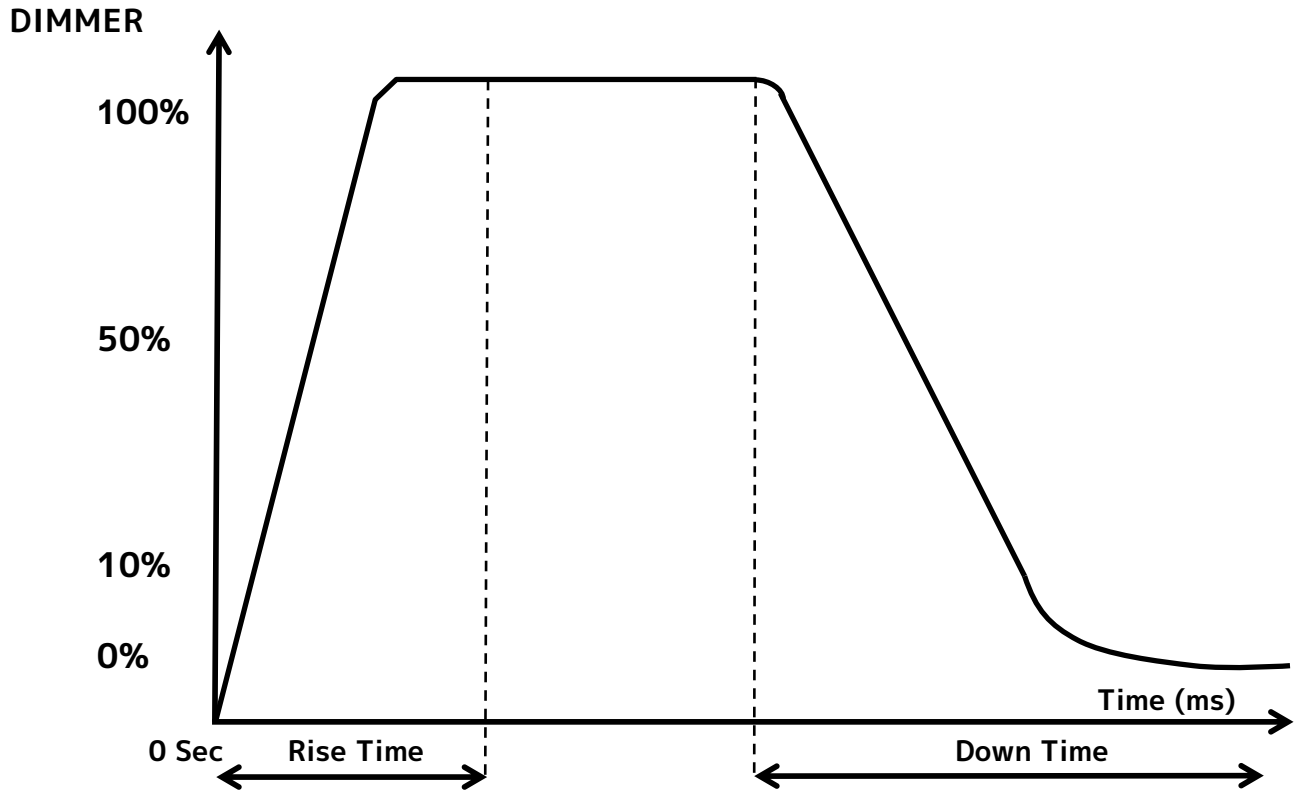
DMX TRAITS

CHANNEL			DMX VALUE	FUNCTION
2CH	3CH	6CH		
		5		Dim Curves
			000 - 020	Square
			021 - 040	Linear
			041 - 060	Inv. Squa
			061 - 080	S. Curve
			081 - 255	No function
		6		LED Refresh Rates
			000 - 010	Default Refresh Rate (1200 Hz)
			011	900 Hz
			012	910 Hz
			013	920 Hz
			014	930 Hz
			015	940 Hz
			016	950 Hz
			017	960 Hz
			018	970 Hz
			019	980 Hz
			020	990 Hz
			021	1000 Hz
			022	1010 Hz
			023	1020 Hz
			024	1030 Hz
			025	1040 Hz
			026	1050 Hz
			027	1060 Hz
			028	1070 Hz
			029	1080 Hz
			030	1090 Hz
			031	1100 Hz
			032	1110 Hz
			033	1120 Hz
			034	1130 Hz
			035	1140 Hz
			036	1150 Hz
			037	1160 Hz
			038	1170 Hz
			039	1180 Hz
			040	1190 Hz
			041	1210 Hz
			042	1220 Hz
		043	1230 Hz	

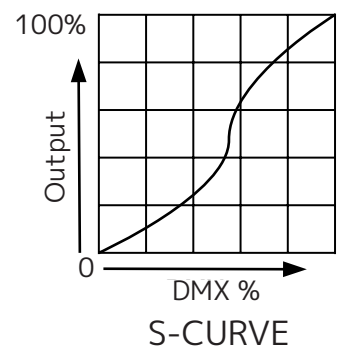
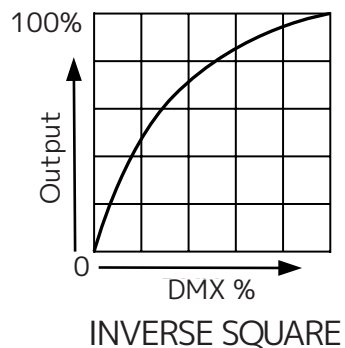
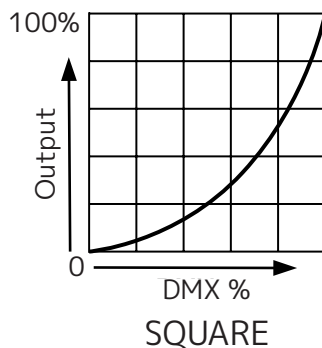
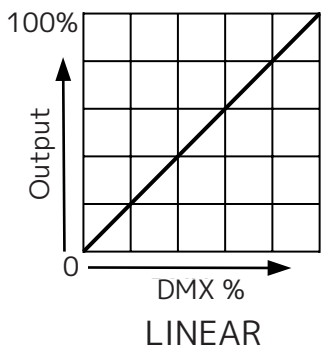
DMX TRAITS

CHANNEL			DMX VALUE	FUNCTION
2CH	3CH	6CH		
			044	1240 Hz
			045	1250 Hz
			046	1260 Hz
			047	1270 Hz
			048	1280 Hz
			049	1290 Hz
			050	1300 Hz
			051	1310 Hz
			052	1320 Hz
			053	1330 Hz
			054	1340 Hz
			055	1350 Hz
			056	1360 Hz
			057	1370 Hz
			058	1380 Hz
			059	1390 Hz
			060	1400 Hz
		6	061	1410 Hz
			062	1420 Hz
			063	1430 Hz
			064	1440 Hz
			065	1450 Hz
			066	1460 Hz
			067	1470 Hz
			068	1480 Hz
			069	1490 Hz
			070	1500 Hz
			071	2500 Hz
			072	4000 Hz
			073	5000 Hz
			074	6000 Hz
			075	10 KHz
			076	15 KHz
			077	20 KHz
			078	25 KHz
			079 - 255	No Function

DIM MODES



Dimming Curve Ramp Effect	0 sec Fade Time		1 sec Fade Time	
	Rise Time (ms)	Down Time (ms)	Rise Time (ms)	Down Time (ms)
Standard (default)	0	0	0	0
Stage	780	1100	1540	1660
TV	1180	1520	1860	1940
Architectural	1380	1730	2040	2120
Theatre	1580	1940	2230	2280
Stage 2	0	1100	0	1660



DAISY CHAIN POWER LINKING

These units have the capability to be daisy chained together via the power in/out ports. **The maximum number of units that can be linked together in this manner is as follows:**

- 28 units maximum when running on 120V power.
- 57 units maximum when running on 230V power.

DO NOT EXCEED THE NUMBER OF UNITS LISTED ABOVE.

DO NOT MIX MAKE AND MODEL TYPES WHEN DAISY CHAINING! All units that are connected in this manner must be of the same make and model type.

CLEANING AND MAINTENANCE

DISCONNECT POWER BEFORE PERFORMING ANY MAINTENANCE!

CLEANING

Frequent cleaning is recommended to ensure proper function, optimized light output, and an extended life. The frequency of cleaning depends on the environment in which the fixture operates: damp, smoky, or particularly dirty environments can cause greater accumulation of dirt on the fixture's optics. Clean the external lens surface periodically with a soft cloth to avoid dirt/debris accumulation.

NEVER use alcohol, solvents, or ammonia-based cleaners.

MAINTENANCE

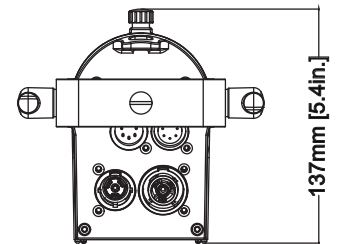
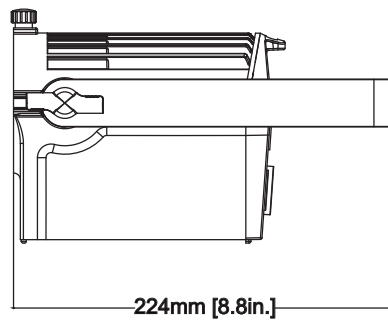
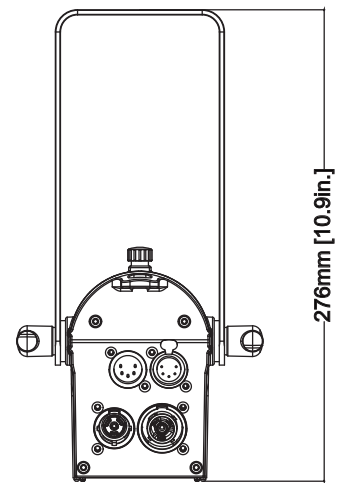
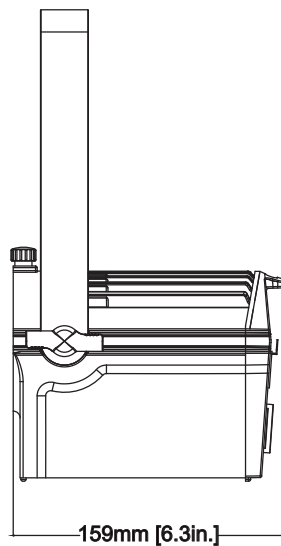
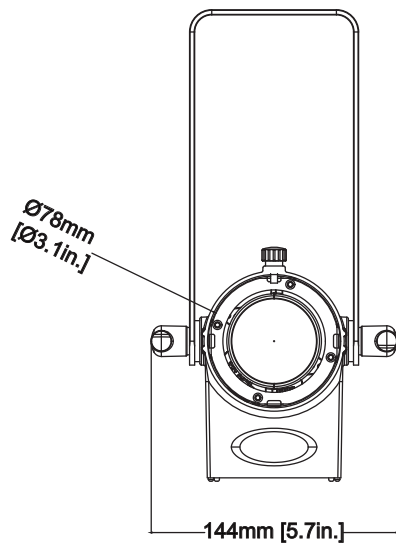
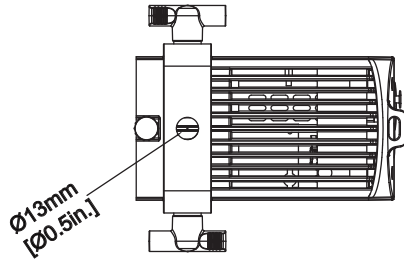
Regular inspections are recommended to ensure proper function and extended life. There are no user serviceable parts inside this fixture. Please refer all other service issues to an authorized ADJ service technician. Should you need any spare parts, please order genuine parts from your local ADJ dealer.

Please refer to the following points during routine inspections:

- A detailed electrical check by an approved electrical engineer every three months, to make sure the circuit contacts are in good condition and prevent overheating.
- Be sure all screws and fasteners are securely tightened at all times. Loose screws may fall out during normal operation, resulting in damage or injury as larger parts could fall.
- Check for any deformations on the housing, color lenses, rigging hardware, and rigging points (ceiling, suspension, trussing). Deformations in the housing could allow for dust or liquids to enter into the fixture. Damaged rigging points or unsecured rigging could cause the fixture to fall and seriously injure a person(s).
- Electric power supply cables must not show any damage, material fatigue, or sediments.
- **NEVER** remove the ground prong from the power cable.

DIMENSIONAL DRAWINGS

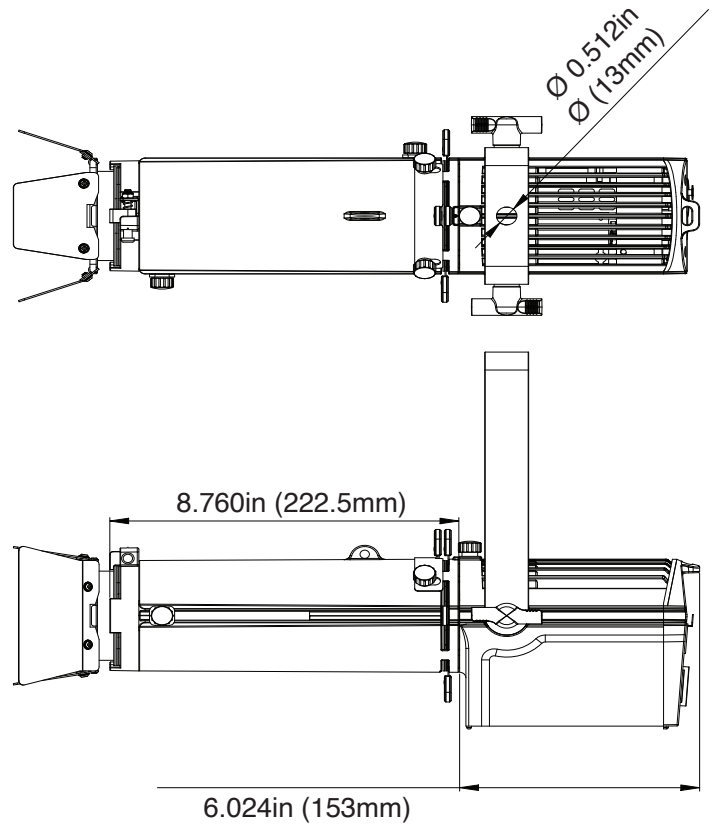
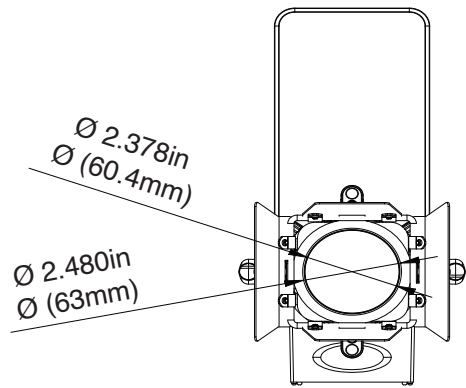
FIXTURE ONLY



Note: Height may depend on thumb screw tightness. Overall height when fully tightened is 137mm (5.4in) as shown below. Overall height with thumb screw loosened is 140mm (5.5in).

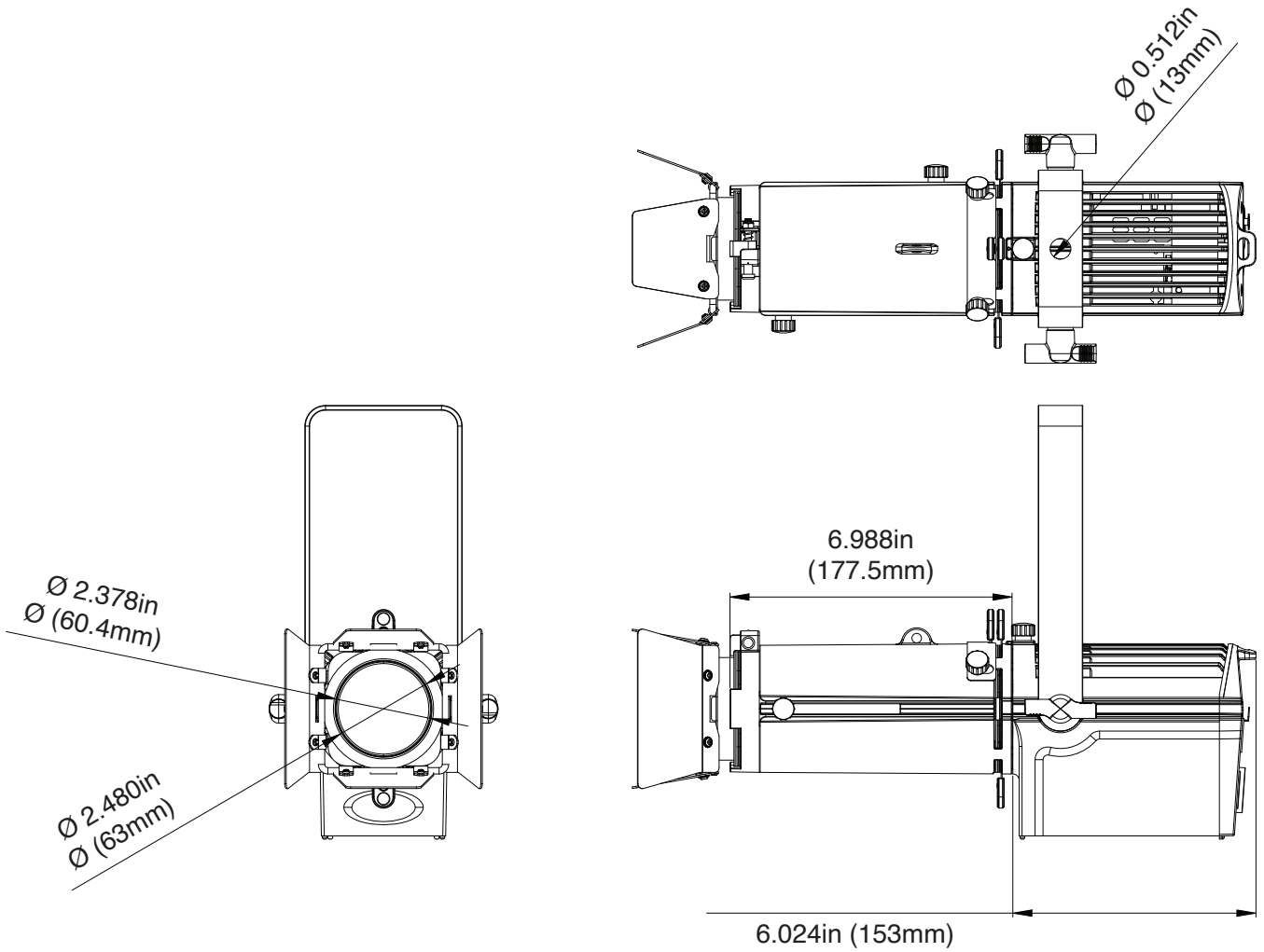
DIMENSIONAL DRAWINGS

15-30 LENS INSTALLED



DIMENSIONAL DRAWINGS

25-50 LENS INSTALLED



SPECIFICATIONS

SOURCE:

- 40W Warm White LED Engine (One of the two lens options must be used for the fixture to work properly - See optional accessories below)
- 50,000 Hour Average LED Life (LED Life may vary depending on several factors including but not limited to: Environmental Conditions, Power/Voltage, Usage Patterns (On-Off Cycling), Control, and Dimming)

PHOTOMETRIC DATA:

- >98CRI 900 Total Lumens
- 3000K Color Temperature

EFFECTS:

- Electronic Strobe and Dimming
- Variable Dimming Curves and Dimming Modes

GOBOS:

- Metal GOBO Dimensions: Outer Diameter 45mm, Image Diameter 31mm
- Glass GOBO Dimensions: Outer Diameter 39.5mm, Image Diameter 31mm
- GOBO Holder is included
- GOBOs are sold separately

CONTROL / CONNECTIONS:

- (3) DMX Channel Modes (2 / 3 / 6)
- Adjustable Refresh Rate (900-1500, 25,000Hz)
- 4 Button Control Panel
- OLED Menu Display
- Locking 5pin XLR Connector In/Out
- IP65 Locking Power In/Out
- With Wired Digital Communication Network
- RDM (Remote Device Management)
- USB Service Port

SIZE / WEIGHT:

- Length: 8.8" (224mm) (NO LENS)
- Width: 5.7" (144mm)
- Vertical Height: 10.9" (276mm)
- Weight: 4.0 lbs. (1.8 kg)

ELECTRICAL / THERMAL:

- Convection Cooling
- AC 100-240V - 50/60Hz
- 45.6W Max Power Consumption @ 120V
- 45.7W Max Power Consumption @ 230V
- Power Linking: 28pcs Max @120V / 57pcs Max @230V
- Minimum and Maximum Ambient Temperatures: 14° to 113°F (-10° to 45°C)

APPROVALS / RATINGS:

- CE | cETLus (Control # 4010765) | IP20



ERROR CODES

CODE	DESCRIPTION
LED Temp	LED Temperature Error

ACCESSORY INFORMATION

SKU (US)	SKU (EU)	DESCRIPTION
EPL113	1237000328	EP Mini Lens, 15- to 30-degree Manual Zoom Lens
EPL126	1237000329	EP Mini Lens, 25- to 50-degree Manual Zoom Lens
EPL166	Pending	EP Mini Fresnel Lens: Beam Angle, 12- to 30-degree Lens
EPL153	1237000330	EP Mini BDA barn door assembly
SIP064	1621000074	1.64-ft IP65 male to female twist lock power link cable
SIP113	1621000075	3-ft IP65 male to female twist lock power link cable
SIP126	1621000076	5-ft IP65 male to female twist lock power link cable
SIP139	1621000077	10-ft IP65 male to female twist lock power link cable
SIP152	Pending	16-ft IP65 male to female twist lock power link cable
SIP165	1621000079	25-ft IP65 male to female twist lock power link cable
SIP178	1621000080	50-ft IP65 male to female twist lock power link cable
SIP191	1621000081	100-ft IP65 male to female twist lock power link cable

