



ENCORE PROFILE MINI COLOR User Instructions

©2024 ADJ Products, LLC all rights reserved. Information, specifications, diagrams, images, and instructions herein are subject to change without notice. ADJ Products, LLC logo and identifying product names and numbers herein are trademarks of ADJ Products, LLC. Copyright protection claimed includes all forms and matters of copyrightable materials and information now allowed by statutory or judicial law or hereinafter granted. Product names used in this document may be trademarks or registered trademarks of their respective companies and are hereby acknowledged. All non-ADJ Products, LLC brands and product names are trademarks or registered trademarks of their respective companies.

ADJ Products, LLC and all affiliated companies hereby disclaim any and all liabilities for property, equipment, building, and electrical damages, injuries to any persons, and direct or indirect economic loss associated with the use or reliance of any information contained within this document, and/or as a result of the improper, unsafe, insufficient and negligent assembly, installation, rigging, and operation of this product.

ADJ PRODUCTS LLC World Headquarters

6122 S. Eastern Ave. | Los Angeles, CA 90040 USA

Tel: 800-322-6337 | Fax: 323-582-2941 | www.adj.com | lsupport@adj.com

ADJ Supply Europe B.V.

Junostraat 2 | 6468 EW Kerkrade | Netherlands

Tel: +31 45 546 85 00 | Fax: +31 45 546 85 99 | www.americandj.eu | service@americandj.eu

Europe Energy Saving Notice

Energy Saving Matters (EuP 2009/125/EC)

Saving electric energy is a key to help protecting the environment. Please turn off all electrical products when they are not in use. To avoid power consumption in idle mode, disconnect all electrical equipment from power when not in use. Thank you!

DOCUMENT VERSION



Due to additional product features and/or enhancements, an updated version of this document may be available online. Please check www.adj.com for the latest revision/update of this manual before beginning installation and/or programming.

Date	Document Version	Software Version	DMX Channels	Notes
01/16/2023	1.0	1.00	2 / 4 / 5 / 6 / 13 / 14 / 16 channels	Initial Release.
05/30/2023	1.1	N/C	No Change	Updated Specifications.
08/10/2023	1.2	N/C	No Change	Updated Specifications, Dimensional Drawings.
12/14/2023	1.3	N/C	No Change	Updated Accessory Information
10/21/2024	1.4	N/C	No Change	Gobo & clip installation for EP Mini GH

CONTENTS

Introduction	4
Limited Warranty (USA Only)	5
Warranty Registration Features	6
Safety Guidelines	7
Overview	8
Installation	9
Accessory Installation	13
Gobo	15
Operation	17
Remote Device Management (RDM)	18
System Menu	19
DMX Setup	22
DMX Traits	24
Dim Modes	27
Color Macros Chart	28
Daisy Chain Power Linking Cleaning & Maintenance	29
Dimensional Drawing	30
Specifications	33
Error Codes Accessory Information	34

INTRODUCTION

Unpacking: Thank you for purchasing the Encore Profile Pro Color by ADJ Products, LLC. Every Encore Profile Pro Color has been thoroughly tested and has been shipped in perfect operating condition. Carefully check the shipping carton for damage that may have occurred during shipping. If the carton appears to be damaged, carefully inspect your fixture for any damage and be sure all accessories necessary to operate the unit has arrived intact. In the event that damage has been found or parts are missing, please contact our toll free customer support number for further instructions. Do not return this unit to your dealer without first contacting customer support.

Introduction: The ADJ Encore Profile Pro Color is a DMX intelligent, high powered LED fixture. To optimize the performance of this product, please read these operating instructions carefully to familiarize yourself with the basic operations of this unit. These instructions contain important safety information regarding the use and maintenance of this unit. Please keep this manual with the unit for future reference.

Customer Support: Contact ADJ Service for any product related service and support needs. Also visit forums.adj.com with questions, comments or suggestions.

Parts: To purchase parts online visit:

<http://parts.adj.com> (US)

<http://www.adjparts.eu> (EU)

ADJ SERVICE USA - Monday - Friday 8:00am to 4:30pm PST

Voice: 800-322-6337 | Fax: 323-582-2941 | support@adj.com

ADJ SERVICE EUROPE - Monday - Friday 08:30 to 17:00 CET

Voice: +31 45 546 85 60 | Fax: +31 45 546 85 96 | support@adj.eu

ADJ PRODUCTS LLC USA

6122 S. Eastern Ave. Los Angeles, CA. 90040

323-582-2650 | Fax 323-532-2941 | www.adj.com | info@adj.com

ADJ SUPPLY Europe B.V

Junostraat 2 6468 EW Kerkrade, The Netherlands

+31 (0)45 546 85 00 | Fax +31 45 546 85 99

www.adj.eu | info@adj.eu

ADJ PRODUCTS GROUP Mexico

AV Santa Ana 30 Parque Industrial Lerma, Lerma, Mexico 52000

+52 (728) 282-7070

CAUTION! There are no user serviceable parts inside this unit. Do not attempt any repairs yourself, as doing so will void your manufacturer's warranty. In the unlikely event your unit may require service, please contact ADJ Products, LLC.

Do not discard the shipping cartoon in the trash. Please recycle when ever possible.

LIMITED WARRANTY (USA ONLY)

- A. ADJ Products, LLC hereby warrants, to the original purchaser, ADJ Products, LLC products to be free of manufacturing defects in material and workmanship for a prescribed period from the date of purchase (see specific warranty period on reverse). This warranty shall be valid only if the product is purchased within the United States of America, including possessions and territories. It is the owner's responsibility to establish the date and place of purchase by acceptable evidence, at the time service is sought.
- B. For warranty service, you must obtain a Return Authorization number (RA#) before sending back the product-please contact ADJ Products, LLC Service Department at 800-322-6337. Send the product only to the ADJ Products, LLC factory. All shipping charges must be pre-paid. If the requested repairs or service (including parts replacement) are within the terms of this warranty, ADJ Products, LLC will pay return shipping charges only to a designated point within the United States. If the entire instrument is sent, it must be shipped in its original package. No accessories should be shipped with the product. If any accessories are shipped with the product, ADJ Products, LLC shall have no liability whatsoever for loss of or damage to any such accessories, or for the safe return thereof.
- C. This warranty is void if the serial number has been altered or removed; if the product is modified in any manner which ADJ Products, LLC concludes, after inspection, affects the reliability of the product, if the product has been repaired or service by anyone other than ADJ Products, LLC factory unless prior written authorization was issued to purchaser by ADJ Products, LLC; if the product is damaged because not properly maintained as set forth in the instruction manual.
- D. This is not a service contract, and this warranty does not include maintenance, cleaning or periodic check up. During the period specified above, ADJ Products, LLC will replace defective parts at its expense with new or refurbished parts, and will absorb all expenses for warranty service and repair labor by reason of defects in material or workmanship. The sole responsibility of ADJ Products, LLC under this warranty shall be limited to the repair of the product, or replacement thereof, including parts, at the sole discretion of ADJ Products, LLC. All products covered by this warranty were manufactured after August 15, 2012, and bear identifying marks to that effect.
- E. ADJ Products, LLC reserves the right to make changes in design and/or improvements upon its products without any obligation to include these changes in any products theretofore manufactured.
- F. No warranty, whether expressed or implied, is given or made with respect to any accessory supplied with products described above. Except to the extent prohibited by applicable law, all implied warranties made by ADJ Products, LLC in connection with this product, including warranties of merchantability or fitness, are limited in duration to the warranty period set forth above. And no warranties, whether expressed or implied, including warranties of merchantability or fitness, shall apply to this product after said period has expired. The consumer's and/or Dealer's sole remedy shall be such repair or replacement as is expressly provided above; and under no circumstances shall ADJ Products, LLC be liable for any loss or damage, direct or consequential, arising out of the use of, or inability to use, this product.
- G. This warranty is the only written warranty applicable to ADJ Products, LLC Products and supersedes all prior warranties and written descriptions of warranty terms and conditions heretofore published.

LIMITED WARRANTY PERIODS

- **Non L.E.D. Lighting Products = 1-year (365 days) Limited Warranty** (Such as: Special Effect Lighting, Intelligent Lighting, UV lighting, Strobes, Fog Machines, Bubble Machines, Mirror Balls, Par Cans, Trussing, Lighting Stands etc. excluding LED and lamps)
- **Laser Products = 1 Year (365 Days) Limited Warranty** (excludes laser diodes which have 6 month limited warranty)
- **L.E.D. Products = 2-year (730 days) Limited Warranty** (excluding batteries which have a 180 day limited warranty)
Note: 2 Year Warranty only applies to purchases within the United States.
- **StarTec Series = 1 Year Limited Warranty** (excluding batteries which have a 180 day limited warranty)
- **ADJ DMX Controllers = 2 Year (730 Days) Limited Warranty**

WARRANTY REGISTRATION

The Encore Profile Pro Color carries a 2 year limited warranty. Please fill out the enclosed warranty card to validate your purchase. All returned service items, whether under warranty or not, must be freight pre-paid and accompanied by a return authorization (R.A.) number. The R.A. number must be clearly written on the outside of the return package. A brief description of the problem as well as the R.A. number must also be written down on a piece of paper included in the shipping carton. If the unit is under warranty, you must provide a copy of your proof of purchase invoice. You may obtain an R.A. number by contacting our customer support team on our customer support number. All packages returned to the service department not displaying an R.A. number on the outside of the package will be returned to the shipper.

FEATURES

The ADJ Encore Profile Mini Color is a feature-packed ellipsoidal that is ideal for applications where space is at a premium. It features an LED engine comprised of 16 x 3.5W RGBWAL (red / green / blue / white / amber / lime) LEDs, which offers an output of 300 Lumens and a CRI of >86. For maximum versatility, it can be used with a choice of two manual zoom lens options and is supplied with a holder for “E” size GOBOs. This small, but perfectly formed, luminaire is suitable for a wide range of applications, including small theatres, bar stages, museums, theme park attractions and window displays.

INCLUDED ITEMS

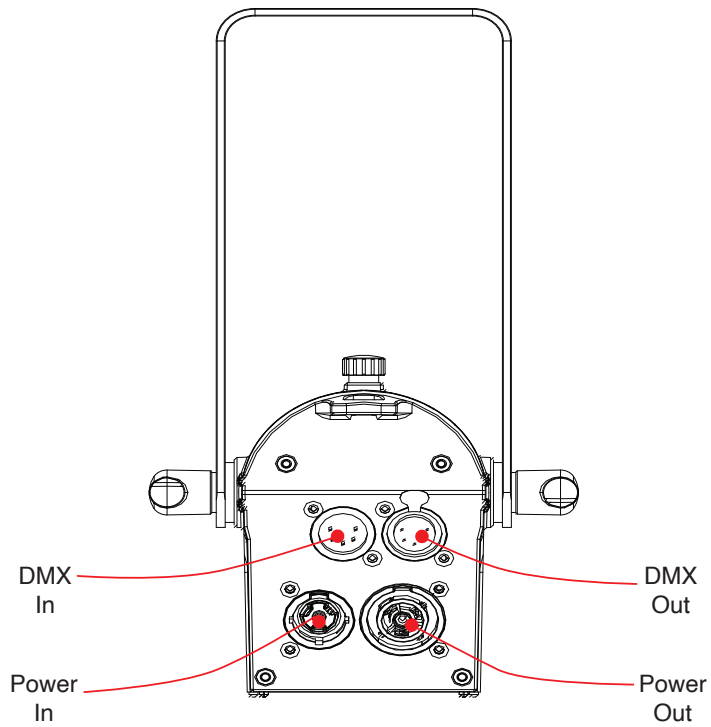
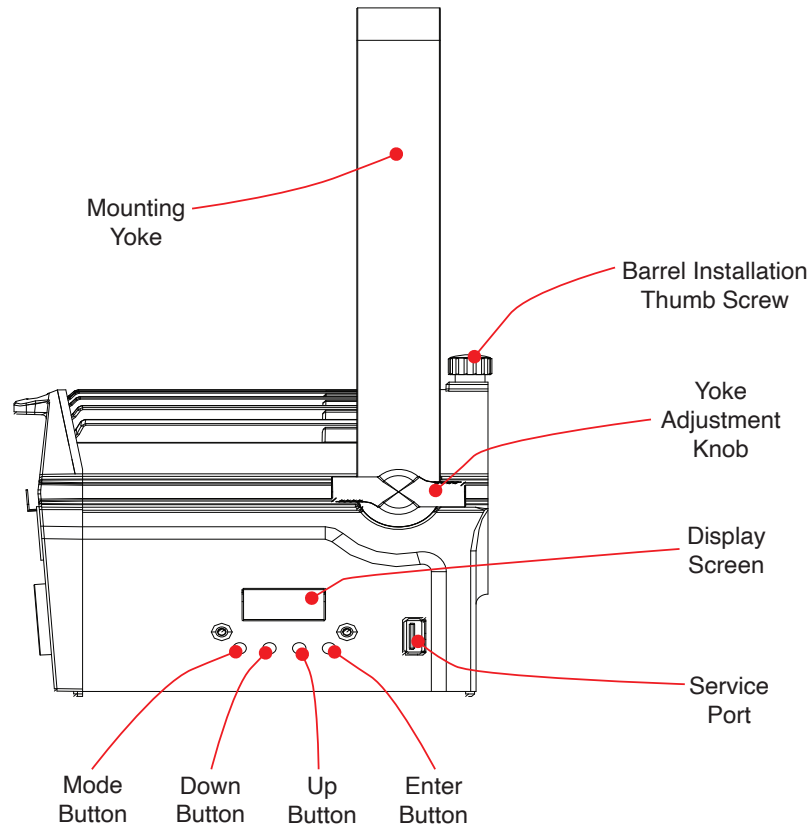
- Power Cable (x1)

SAFETY GUIDELINES

THIS FIXTURE IS COMPOSED OF SOPHISTICATED ELECTRONIC COMPONENTS. TO GUARANTEE SMOOTH OPERATION, IT IS IMPORTANT TO FOLLOW ALL INSTRUCTIONS AND GUIDELINES IN THIS MANUAL. ADJ PRODUCTS, LLC IS NOT RESPONSIBLE FOR INJURY AND/OR DAMAGES RESULTING FROM THE MISUSE OF THIS FIXTURE DUE TO THE DISREGARD OF THE INFORMATION PRINTED IN THIS MANUAL. ONLY QUALIFIED AND/OR CERTIFIED PERSONNEL SHOULD PERFORM INSTALLATION OF THIS FIXTURE AND ONLY THE ORIGINAL RIGGING PARTS INCLUDED WITH THIS FIXTURE SHOULD BE USED FOR INSTALLATION. ANY MODIFICATIONS TO THE FIXTURE AND/OR CERTIFIED PERSONNEL SHOULD PERFORM INSTALLATION OF THIS FIXTURE AND/OR THE INCLUDED MOUNTING HARDWARE WILL VOID THE ORIGINAL MANUFACTURER'S WARRANTY AND INCREASE THE RISK OF DAMAGE AND/OR PERSONAL INJURY.

- **PROTECTION CLASS 1 - FIXTURE MUST BE PROPERLY GROUNDED**
- **THERE ARE NO USER SERVICEABLE PARTS INSIDE THIS UNIT.**
- **DONOT ATTEMPT ANY REPAIRS YOURSELF; DOING SO WILL VOID YOUR MANUFACTURER'S WARRANTY. DAMAGES RESULTING FROM MODIFICATIONS TO THIS FIXTURE AND/OR THE DISREGARD OF SAFETY INSTRUCTIONS AND GUIDELINES IN THIS MANUAL VOID THE MANUFACTURE'S WARRANTY AND ARE NOT SUBJECT TO ANY WARRANTY CLAIMS AND/OR REPAIRS.**
- **DO NOT PLUG FIXTURE INTO A DIMMER PACK!**
- **NEVER OPEN THIS FIXTURE WHILE IN USE!**
- **UNPLUG POWER BEFORE SERVICING FIXTURE!**
- **NEVER TOUCH FIXTURE DURING OPERATION, AS IT MAY BE HOT!**
- **KEEP FLAMMABLE MATERIALS AWAY FROM FIXTURE!**
- **NEVER LOOK DIRECTLY INTO THE LIGHT SOURCE!**
- **RETINA INJURY RISK - MAY INDUCE BLINDNESS!**
- **SENSITIVE PERSONS MAY SUFFER AN EPILEPTIC SHOCK!**
- **INDOOR / DRY LOCATIONS USE ONLY!**
- **DO NOT EXPOSE FIXTURE TO RAIN AND MOISTURE!**
- **MINIMUM DISTANCE TO OBJECTS/SURFACES**
- **MUST BE 6.6 FEET (2 METERS)**
- **MAXIMUM TEMP OF EXTERNAL SURFACE 185° F (85°C)**
- **MINIMUM DISTANCE OF INFLAMMABLE MATERIALS**
- **FROM THE SURFACE 1.6 FEET (0.5 METER)**
- **DO NOT TOUCH** the fixture housing during operation. Turn OFF the power and allow approximately 60 minutes for the fixture to cool down before serving.
- **DO NOT** shake fixture, avoid brute force when installing and/or operating fixture.
- **DO NOT** operate fixture if the power cord is frayed, crimped, damaged and/or if any of the power cord connectors are damaged and do not insert into the fixture securely with ease. **NEVER** force a power cord connector into the fixture. If the power cord or any of its connectors are damaged, replace it immediately with a new one of similar power rating.
- **DO NOT** block any air ventilation slots. All fan and air inlets must remain clean and never blocked. Allow approx. 6" (15cm) between fixture and other devices or a wall for proper cooling.
- When installing fixture in a suspended environment, always use mounting hardware that is no less than M10 x 25 mm, and always install fixture with an appropriately rated safety cable.
- Always disconnect fixture from main power source before performing any type of service and/or cleaning procedure. Only handle the power cord by the plug end, never pull out the plug by tugging the wire portion of the cord.
- During the initial operation of this fixture, a light smoke or smell may emit from the interior of the fixture. This is a normal process and is caused by excess paint in the interior of the casing burning off from the heat associated with the lamp and will decrease gradually over time.
- Consistent operational breaks will ensure fixture will function properly for many years.
- **ONLY** Use original packaging and materials to transport the fixture in for service.

OVERVIEW



INSTALLATION



FLAMMABLE MATERIAL WARNING

Keep fixture minimum 5.0 feet (1.5m) away from flammable materials and/or pyrotechnics.



ELECTRICAL CONNECTIONS

A qualified electrician should be used for all electrical connections and/or installations.



USE CAUTION WHEN POWER LINKING FIXTURES OF OTHER MODEL TYPES, AS THE POWER CONSUMPTION OF OTHER MODEL FIXTURES MAY EXCEED THE MAX POWER OUTPUT ON THIS FIXTURE. CHECK SILK SCREEN FOR MAX AMPS.



**MINIMUM DISTANCE TO OBJECTS/SURFACES IS 6.6 FEET (2 METERS).
MINIMUM DISTANCE OF INFLAMMABLE MATERIALS FROM THE SURFACE IS 1.6 FEET (0.5 METER)**

DO NOT INSTALL THE FIXTURE IF YOU ARE NOT QUALIFIED TO DO SO!

- Fixture **MUST** be installed following all local, national, and country commercial electrical and construction codes and regulations.
- Before rigging/mounting a single fixture or multiple fixtures to any metal truss/structure or placing the fixture(s) on any surface, a professional equipment installer **MUST** be consulted to determine if the metal truss/structure or surface is properly certified to safely hold the combined weight of the fixture(s), clamps, cables, and accessories.
- Ambient operating temperature range is **14°F to 113°F (-10°C to 45°C)**. Do not use operate the fixture when ambient temperature falls outside of this range!
- Fixture(s) should be installed in areas outside walking paths, seating areas, or areas were unauthorized personnel might reach the fixture by hand.
- **NEVER** stand directly below the fixture(s) when rigging, removing or servicing.
- Overhead fixture installation must always be secured with a secondary safety attachment, such as an appropriately rated safety cable.
- Allow approximately 60 minutes for the fixture to cool down before servicing.

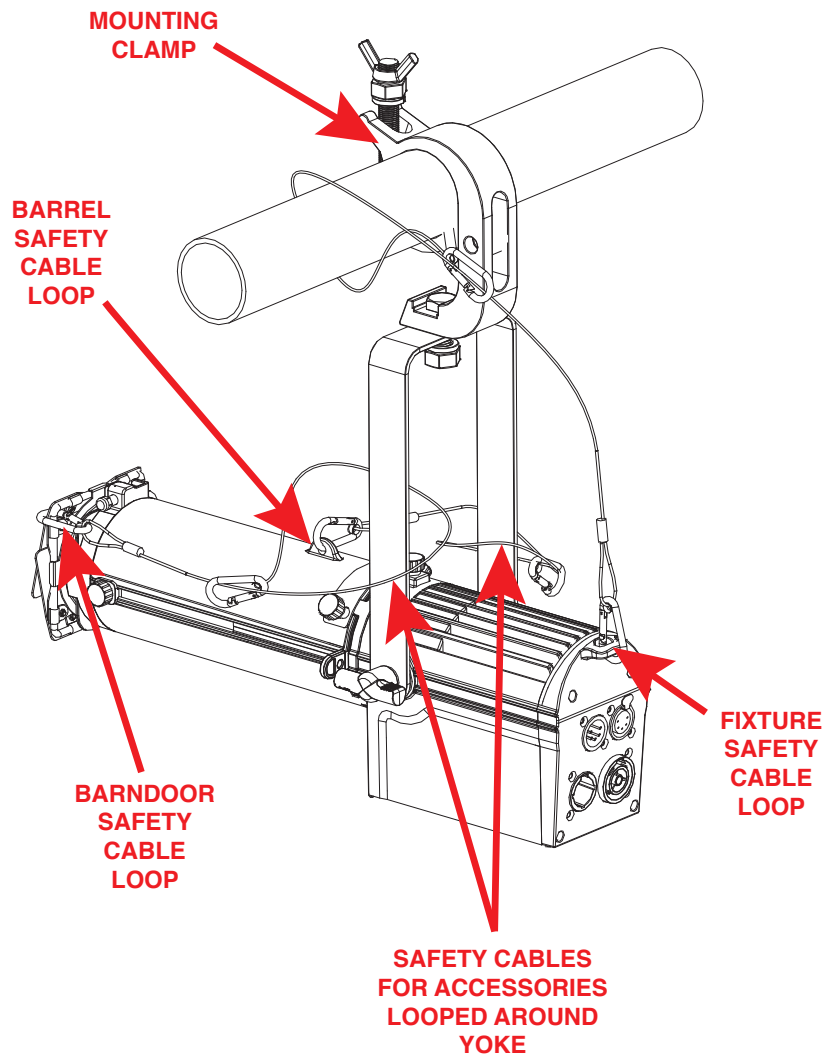
RIGGING

Overhead rigging requires extensive experience, including calculating working load limits, installation material being used, and periodic safety inspection of all installation material and the fixture, among other skills. If you lack these qualifications, do not attempt the installation yourself. Improper installation can result in bodily injury.

INSTALLATION

CLAMP INSTALLATION

This fixture features a mounting point on the yoke for the attachment of a mounting clamp. There is also a safety cable loop located on the rear of the fixture above the DMX ports (see the illustration below). When mounting the fixture to a truss or any other suspended or overhead installation, be sure to secure an appropriately rated clamp (not included) to the yoke, and attach a separate **SAFETY CABLE** of the appropriate weight rating to the safety cable loop. If the barrel and/or barndoor accessories are attached, each accessory must also be secured using its own appropriately rated safety cable, securely and independently looped around the fixture's mounting yoke as shown in the illustration below. Please refer to the **Accessory Installation** section of this manual for detailed information regarding the installation process for these accessories.



SAFETY CABLE:

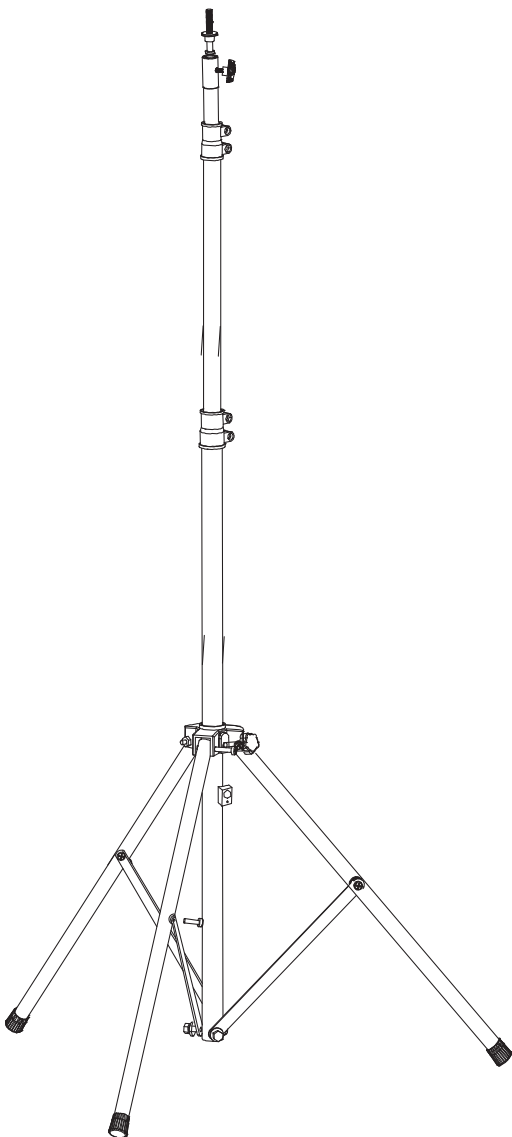
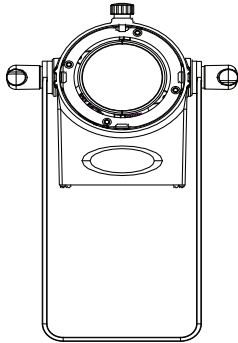


ALWAYS ATTACH A SAFETY CABLE WHENEVER INSTALLING THIS FIXTURE IN A SUSPENDED ENVIRONMENT TO ENSURE THAT THE FIXTURE WILL NOT FALL IF THE CLAMP FAILS. WHEN BARREL AND/OR BARNDOORS ARE INSTALLED, EACH ACCESSORY MUST ALSO BE FITTED WITH ITS OWN SEPARATE SAFETY CABLE.

INSTALLATION

STAND MOUNTING

This unit can also be installed atop a tripod stand. Simply insert the threaded bolt on the top of the tripod stand through the hole in the mounting yoke. Tighten the nut onto the threaded bolt to secure the mounted device in place.



CAUTION!

MAKE SURE THAT THE TRIPOD LEGS AND ALL TELESCOPING ELEMENTS OF THE TRIPOD STAND ARE LOCKED IN PLACE BEFORE INSTALLING THE DEVICE ATOP THE STAND!

POSITION THE TRIPOD STAND AND MOUNTED DEVICE ONLY ON FLAT, STABLE SURFACES! DEPLOY TRIPOD LEGS FULLY IN ORDER TO MAXIMIZE STABILITY!

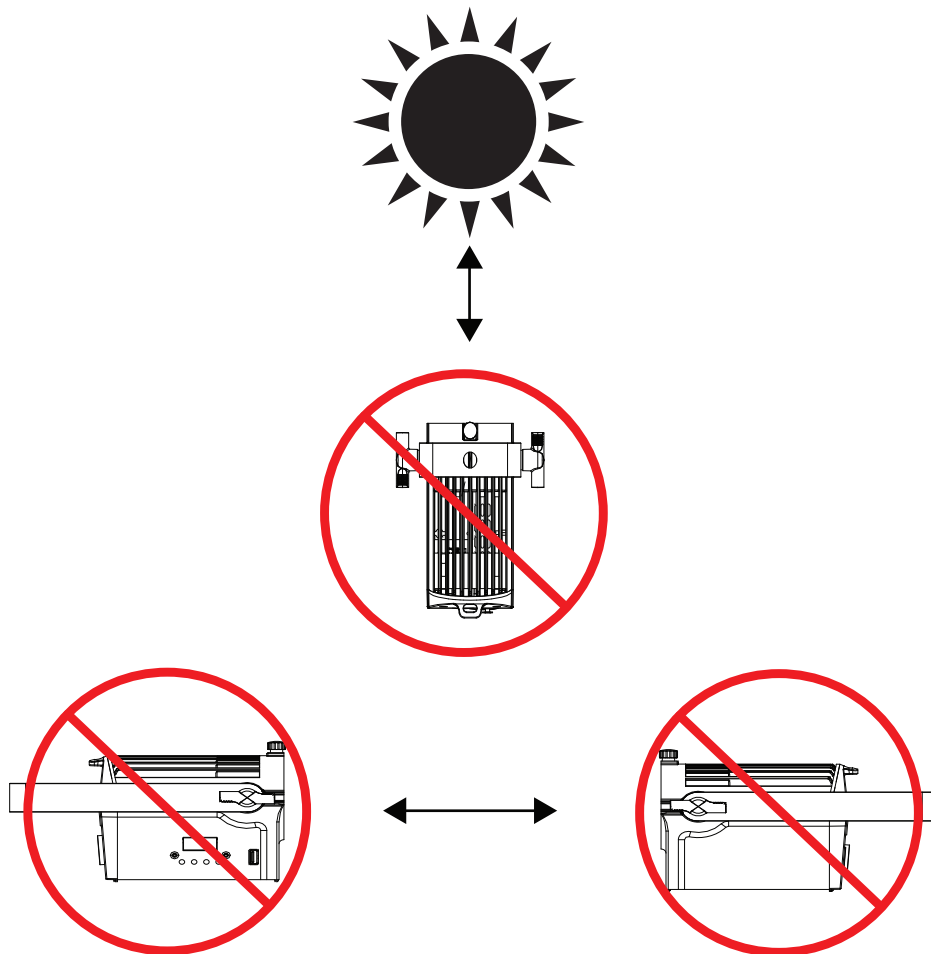
INSTALLATION

POTENTIAL INTERNAL FIXTURE DAMAGE FROM EXTERNAL SOURCES OF LIGHT BEAMS

External sources of light beams from direct sunlight, lighting moving head fixtures, and lasers which are focused directly towards the exterior housing and/or penetrate the front lens opening of ADJ lighting fixtures can cause severe internal damage including burning of optics, dichroic color filters, glass and metal gobos, prisms, animation wheels, frost filters, irises, shutters, motors, belts, wiring, discharge lamps, and LEDs.

This issue is not unique to ADJ lighting fixtures; it is a common issue with lighting fixtures from all manufacturers. Although there is no true way to fully prevent this issue from happening, the guidelines below can reduce the risk of any potential damage if followed. Contact ADJ Service for more details.

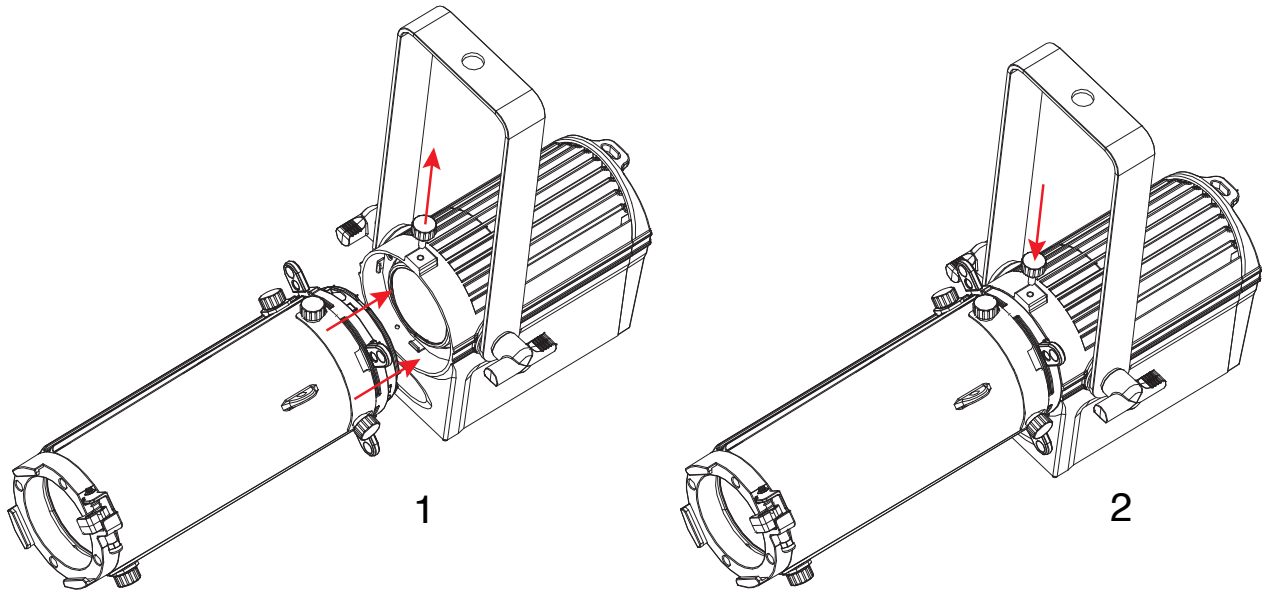
DO NOT EXPOSE THE FIXTURE AND/OR FRONT LENS OPENING TO LIGHT BEAMS FROM DIRECT SUNLIGHT, OTHER LIGHTING MOVING HEAD FIXTURES, AND LASERS DURING UNPACKING, INSTALLATION, USE, AND EXTENDED IDLE TIMES OUTDOORS. DO NOT FOCUS A LIGHT BEAM FROM ONE LIGHTING FIXTURE DIRECTLY TOWARDS ANOTHER.



ACCESSORY INSTALLATION

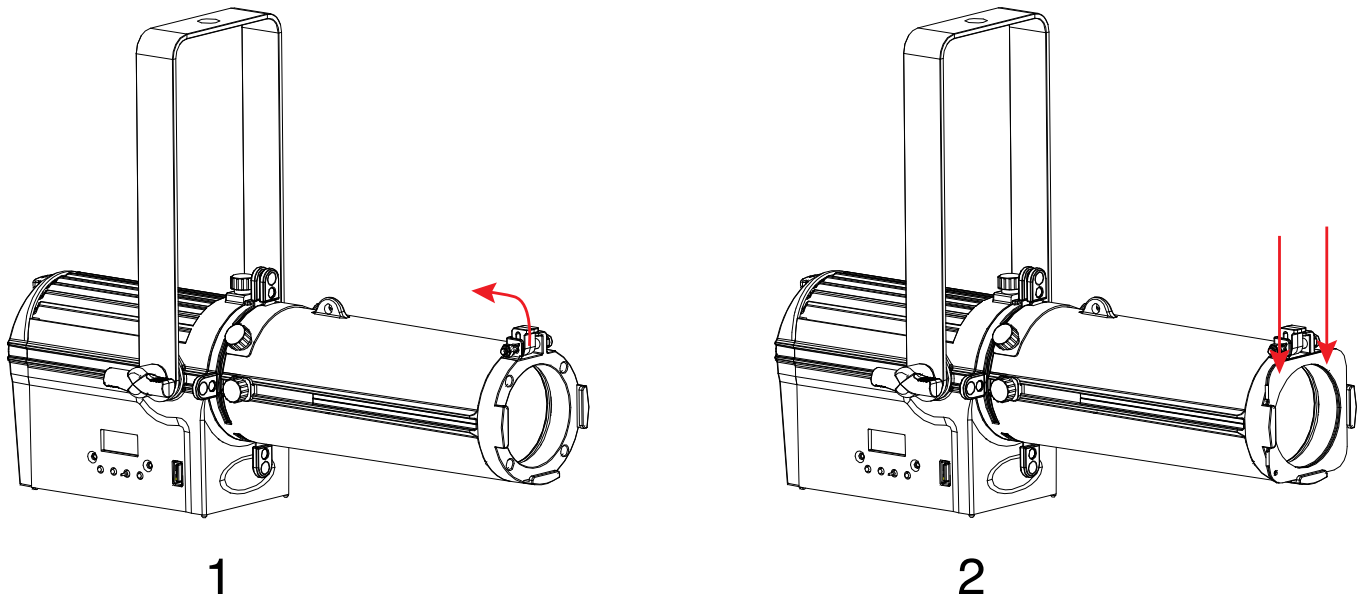
BARREL

To install the barrel, remove the thumbscrew located at the top of the fixture's lens frame, then insert the back end of the barrel (the side closest to the gobo holder) into the lens frame, making sure that the hole on the barrel is aligned with the thumbscrew hole on the lens frame (Fig. 1). Then insert and tighten the thumbscrew to secure the barrel in place (Fig. 2). **Please note that the barrel requires its own separate safety cable when installed in a suspended setting.**



GEL FRAME

To install the gel frame, press the release on the retainer clip at the end of the barrel, and flip the clip open (Fig. 1). Slide the gel frame into the slot at the end of the barrel (Fig. 2), then close the retainer slip to secure it in place.

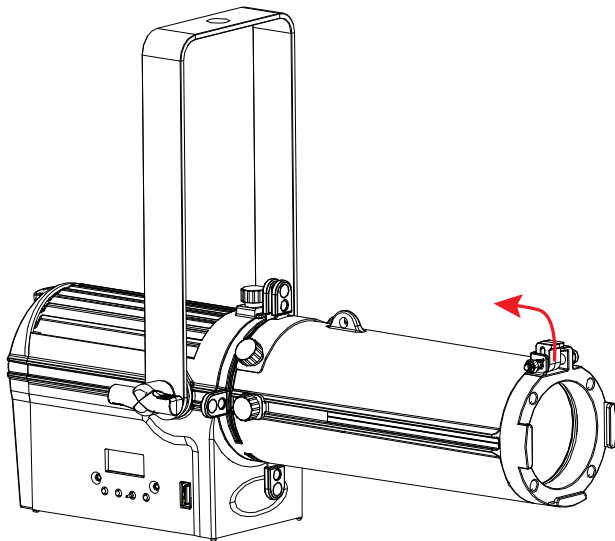


ACCESSORY INSTALLATION

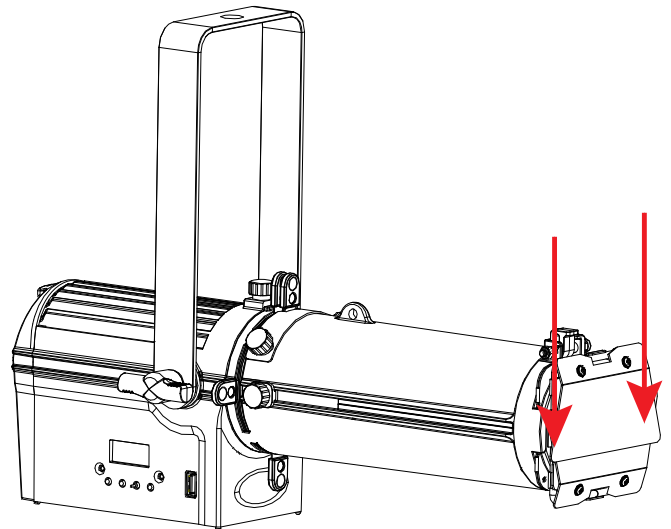
BARNDOORS

To install the barndoors, press the release on the retainer clip at the end of the barrel, and flip the clip open (Fig. 1). Slide the barndoors into the slot at the end of the barrel (Fig. 2). If the gel frame has already been installed, then the barndoors should be installed over the gel frame (the gel frame should be closer to the frame of the barrel). Close the retainer slip to secure the barndoors in place.

Please note that the barndoors require their own separate safety cable when installed in a suspended setting.



1

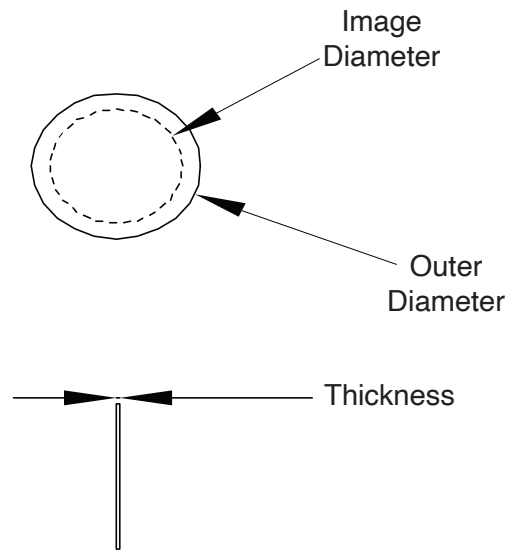


2

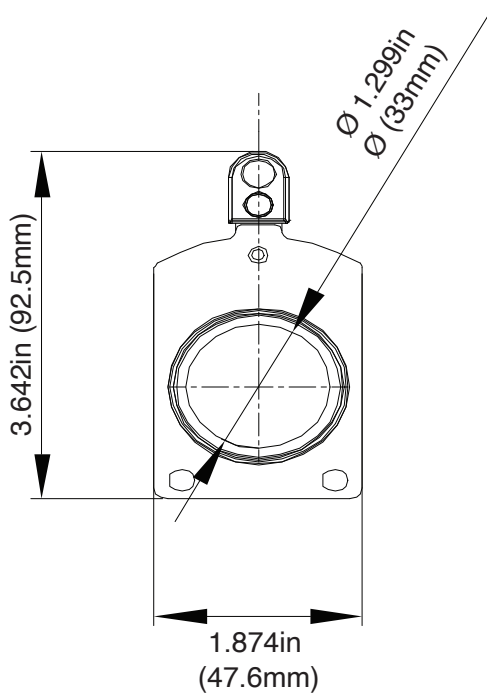
GOBO

GOBO DIMENSIONS

Gobo Type	Outer Diameter	Image Diameter	Thickness
Metal	1.772 in (45mm)	1.220 in (31mm)	0.008 in (0.2mm)
Glass	1.555 in (39.5mm)	1.220 in (31mm)	0.039 in (1mm)



GOBO HOLDER DIMENSIONS

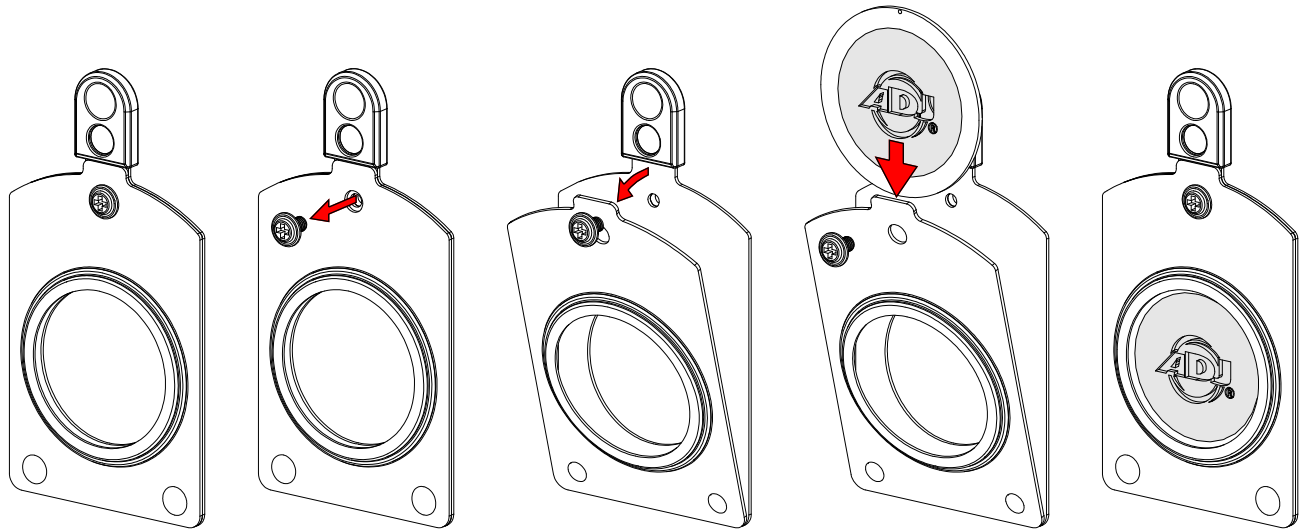


Please note that gobo holder is compatible with "E" size gobos.

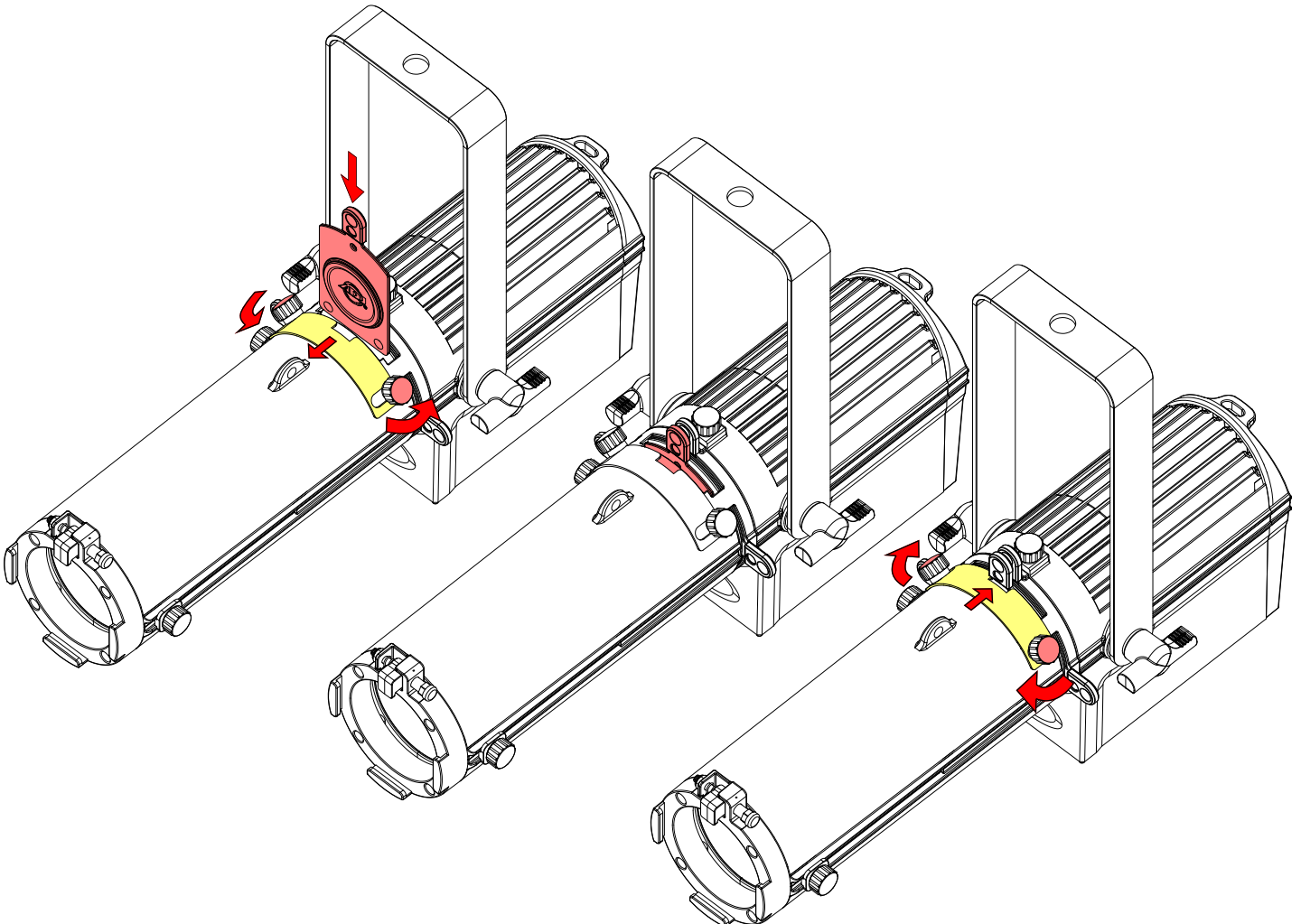
GOBO

INSTALLATION

Unscrew the gobo holder, separate halves (note that front has raised surface, back is flat with handle). Insert gobo with front facing out, then screw back together.



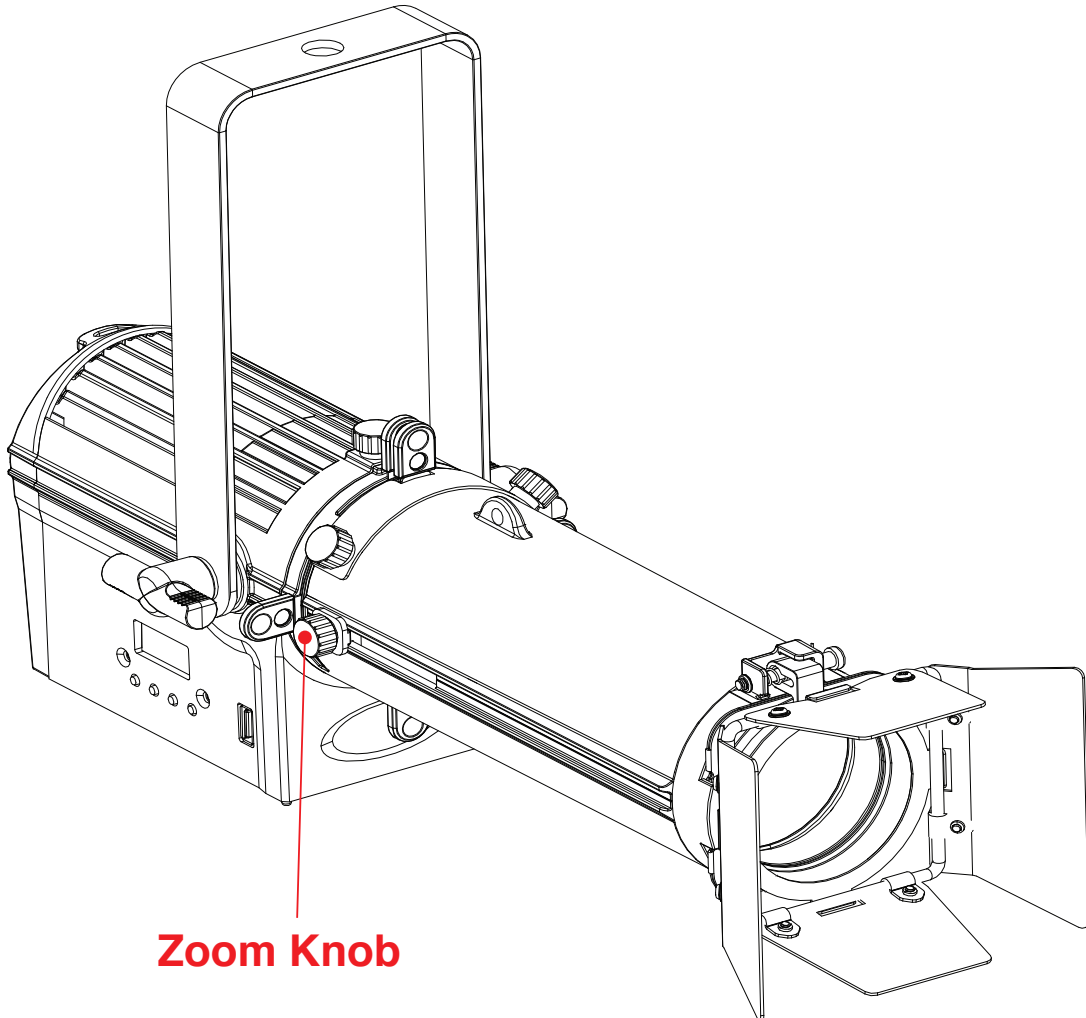
On the barrel, loosen knobs to slide plate forward, revealing slot. Insert holder into slot, front facing forward, slide plate back, tighten knobs.



OPERATION

ZOOM FUNCTION

The zoom function on this fixture is adjusted manually using a sliding knob located on the side of the barrel, as shown in the illustration below. Push the sliding knob towards the front of the barrel to zoom out, or backwards to zoom in.



REMOTE DEVICE MANAGEMENT (RDM)

NOTE: In order for RDM to work properly, RDM enabled equipment must be used throughout the entire system, including DMX data splitters and wireless systems.

Remote Device Management (RDM) is a protocol that sits on top of the DMX512 data standard for lighting, allowing the DMX systems of the fixtures to be modified and monitored remotely. This protocol is ideal for instances in which a unit is installed in a location that is not easily accessible.

With RDM, the DMX512 system becomes bi-directional, allowing a compatible RDM enabled controller to send out a signal to devices on the wire, as well as allowing the fixture to respond (known as a GET command). The controller can then use its SET command to modify settings that would typically have to be changed or viewed directly via the unit's display screen, including the DMX Address, DMX Channel Mode, and Temperature Sensors.

FIXTURE RDM INFORMATION:

RDM Code	Device ID	Model ID	Personality IDs
0x1900	0031-FFFF	31	02Ch (1), 04Ch (2), 05Ch (3), 06Ch (4), 13Ch (5), 14Ch (6), 16Ch (7)

Please be aware that **not all RDM devices support all RDM features**, and therefore it is important to check beforehand to ensure that the equipment that you are considering includes all of the features that you require.

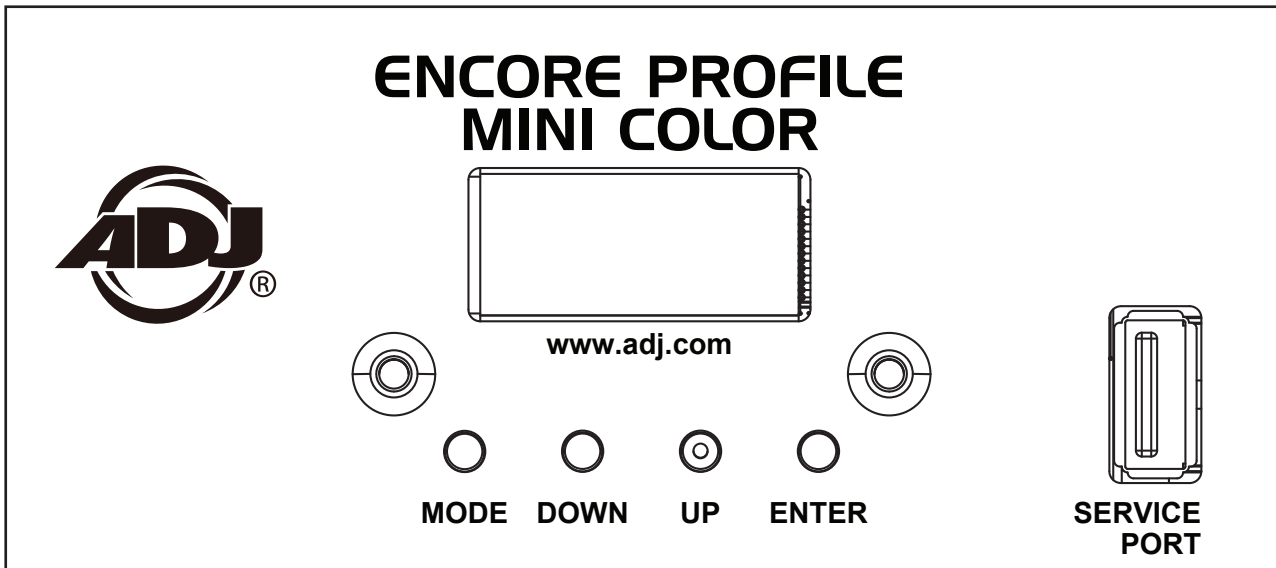
The following parameters are accessible in RDM on this device:

[0x0011] Proxied Device Count	[0x0405] Device Power Cycles
[0x0200] Sensor Definition	[0x0600] Pan Invert
[0x0201] Sensor Value	[0x0601] Tilt Invert
[0x0080] Device Model Description	[0x0602] Pan Tilt Swap
[0x0081] Manufacturer Label	[0x0500] Display Invert
[0x0082] Device Label	[0x0501] Display Level
[0x00E0] DMX Personality	[0x1010] Power State
[0x00E1] DMX Personality Description	[0x1031] Preset Playback
[0x0400] Device Hours	[0x0122] Default Slot Value
[0x0015] Comms Status	[0x00B0] Language
[0x0031] Status ID Description	[0x00A0] Language Capabilities
[0x0032] Clear Status ID	[0x00C2] Boot Software Version Label
[0x0401] Lamp Hours	[0x00C1] Boot Software Version ID
[0x0402] Lamp Strikes	[0x0070] Product Detail ID List
[0x0403] Lamp State	[0x0030] Status Messages
[0x0404] Lamp On Mode	[0x0603] Realtime Clock

SYSTEM MENU

The fixture includes an easy to navigate system menu control panel display where all necessary settings and adjustments are made. (See image below)

- **MODE:** Cycles through the main menu options and/or return to previous menu without making changes.
- **DOWN/UP:** Scroll through options in the selected menu.
- **ENTER:** Select highlighted option and/or confirm selection.



AUTO LOCK

As configured from the factory, the unit will automatically lock the display screen controls after 2 minutes of inactivity. The inactivity period before the controls automatically lock can be adjusted in the System Menu by navigating to PERSONALITY > DISPLAY > AUTO LOCK. To unlock the display screen controls, simply press and hold the Mode button until the controls unlock.

SOFTWARE PORT / SOFTWARE UPDATES

Please contact ADJ customer support for the latest software and updating instructions.

SYSTEM MENU

MENU	OPTIONS / VALUES (Default Settings BOLD)		DESCRIPTION	
DMX SETTINGS	DMX Address	001 - 511	Set DMX address of the unit.	
	DMX Channel Mode	2Ch , 4Ch, 5Ch, 6Ch, 13Ch, 14Ch, 16Ch	Select DMX channel mode	
	No DMX	Hold	If DMX signal is lost, unit holds last settings	
		Blackout	If DMX signal is lost, unit takes all channels to 0	
Manual		If DMX signal is lost, unit defaults to pre-selected manual mode		
PERSONALITY	Dim Modes	Standard , Stage, TV, Architectural Theatre, Stage 2		
		Dim Speed	0.0s ~ 10s	
	Dim Curves	Square , Linear, Square Inverse, S-Curve		
	PWM Freq	900~1500Hz, 2500Hz, 4000Hz, 5000Hz, 6000Hz, 10KHz, 15KHz, 20KHz, 25KHz		
	Display	Screen Display	Off, 1min - 9min	Screen goes to sleep after pre-set period of inactivity
		Auto Lock	Off - 10min	Screen controls lock after pre-set period of inactivity, default = 2min
		Flip Display	Yes / No	Invert display orientation
	Service Passcode = 050	Red, Green, Blue, White, Amber, Lime		Individual color calibration
		Red2, Green2, Blue2, White2, Amber2, Lime2		CCT white balance calibration
		USB Update	On / Off	Select whether to power up service port in preparation for software updates
		Factory Restore	Yes / No	Restore unit to factory default settings
	MANUAL	Red	000 - 255	
Green		000 - 255		
Blue		000 - 255		
White		000 - 255		
Amber		000 - 255		
Lime		000 - 255		
Color Temp Linear		000 - 255		
Color Temp Presets		0 , 2700K, 3200K, 4000K, 5600K, 6500K		
Red to Green Shift		000 - 255		
64 Color Macros		0 , Macro 1, Macro 2,....Macro 64		
Strobe		000 - 255		
Dimmer	000 - 255			

SYSTEM MENU

MENU	OPTIONS / VALUES (Default Settings BOLD)			DESCRIPTION
INFORMATION	Life Time	Power On Time	xxxxxx Hours	Total lifetime run hours
	Last Run Time	Power On Tim Able Res	xxxxxx Hours	Run hours since last reset
		Power On Time Reset	Passcode = 038	Reset Power On Tim Able Res hours
	Total Lamp Hours	xxxxxx Hours		Lamp on hours
	Fixture Temp	Current	xxx F / xxx C	Current fixture temperature
		Max Resettable	xxx F / xxx C	Max fixture temperature since last reset
		Last Max Temp Reset	Passcode = 038	Reset Max Resettable temperature
Software Version	Vx.xx			

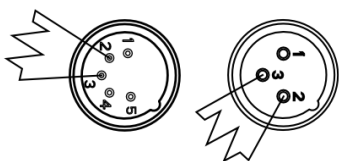
DMX SETUP

DMX-512: DMX is short for Digital Multiplex. This is a universal protocol used as a form of communication between intelligent fixtures and controllers. A DMX controller sends DMX data instructions from the controller to the fixture. DMX data is sent as serial data that travels from fixture to fixture via the DATA “IN” and DATA “OUT” XLR terminals located on all DMX fixtures (most controllers only have a DATA “OUT” terminal).

DMX Linking: DMX is a language allowing all makes and models of different manufacturers to be linked together and operate from a single controller, as long as all fixtures and the controller are DMX compliant. To ensure proper DMX data transmission, try to use the shortest cable path possible when using several DMX fixtures. The order in which fixtures are connected in a DMX line does not influence the DMX addressing. For example, a fixture assigned a DMX address of 1 may be placed anywhere in a DMX line: at the beginning, at the end, or anywhere in the middle. When a fixture is assigned a DMX address of 1, the DMX controller knows to send DATA assigned to address 1 to that unit, no matter where it is located in the DMX chain.

Data Cable (DMX Cable) Requirements (For DMX Operation): This fixture can be controlled via DMX-512 protocol, and features multiple DMX channel modes. Your unit and your DMX controller require 5-pin XLR connectors for data input and data output. If you are making your own cables, be sure to use standard 110-120 Ohm shielded cable (This cable may be purchased at almost all pro lighting stores). Your cables should be made with a male XLR connector at one end and a female XLR connector on the other. Also remember that DMX cable must be daisy chained and cannot be split.

Special Note: Line Termination. When longer runs of cable are used, you may need to use a terminator on the last unit to avoid erratic behavior. A terminator is a 110-120 ohm 1/4 watt resistor which is connected between pins 2 and 3 of a male XLR connector (DATA + and DATA -). This unit is inserted in the female XLR connector of the last unit in your daisy chain to terminate the line. Using a cable terminator (ADJ part number Z-DMX/T) will decrease the chances of erratic behavior.



A DMX512 terminator reduces signal errors, avoiding most signal reflection interference. Connect PIN 2 (DMX-) and PIN 3 (DMX+) of the last fixture in series with a 120 Ohm, 1/4 W Resistor to terminate the DMX512.

DMX SETUP

DMX ADDRESSING

All fixtures should be given a DMX starting address when operating with a DMX controller, in order to ensure that the correct fixture responds to the correct control signal. This digital starting address is the channel number from which the fixture starts to “listen” to the digital control signal sent out from the DMX controller. The assignment of this starting DMX address is achieved by setting the correct DMX address on the digital control display on the fixture.

You can set the same starting address for all fixtures or a group of fixtures, or set different addresses for each individual fixture. Setting all fixtures to the same DMX address will cause all fixtures to react in the same way. In this case, please note that changing the settings of one channel will affect all the fixtures simultaneously.

If you set each fixture to a different DMX address, each unit will start to “listen” to the channel number you have set, based on the quantity of DMX channels of each fixture. That means changing the settings of one channel will only affect the selected fixture.

As an example, when operating this device in 2 channel mode, you should set the starting DMX address of the first unit to 1, the second unit to 3 (1 + 2), the third unit to 5 (1 + 2 + 2), and so on. (See the chart below for more details.)

Channel Mode	Unit 1 Address	Unit 2 Address	Unit 3 Address	Unit 4 Address
2 Channels	1	3	5	7
4 Channels	1	5	9	13
5 Channels	1	6	11	16
6 Channels	1	7	13	19
13 Channels	1	14	27	40
14 Channels	1	15	29	43
16 Channels	1	17	33	49

DMX TRAITS

CHANNEL							DMX VALUE	FUNCTION
2CH	4CH	5CH	6CH	13CH	14CH	16CH		
			1	1	1	1	000 - 255	Red , 0% to 100%
			2	2	2	2	000 - 255	Green , 0% to 100%
			3	3	3	3	000 - 255	Blue , 0% to 100%
			4	4	4	4	000 - 255	White , 0% to 100%
			5	5	5	5	000 - 255	Amber , 0% to 100%
			6	6	6	6	000 - 255	Lime , 0% to 100%
	1	1		7	7	7	000 - 255	Color Temperature , Linear 2500K - 10000K
								Color Temperature Presets
							000 - 031	No Function
							032 - 076	2700K
	2	2		8	8	8	077 - 121	3200K
							122 - 166	4000K
							167 - 211	5600K
							212 - 255	6500K
								Color Temperature Red to Green
				9	9	9	000	No Function
							001 - 255	Shift CT, red to green
		3		10	10	10	000 - 255	64 Color Macros , see Color Macros Chart section of this manual
								Shutter
							000 - 031	Shutter Closed (LEDs Off)
							032 - 063	Shutter Open (LEDs On)
							064 - 095	Strobe Effect, slow to fast
				11	11	11	096 - 127	Shutter Open (LEDs On)
							128 - 159	Pulse Effect in Sequences
							160 - 191	Shutter Open (LEDs On)
							192 - 223	Random Strobe Effect, slow to fast
							224 - 255	Shutter Open (LEDs On)
1	3	4		12	12	12	000 - 255	Dimmer Intensity , 0% to 100%
2	4	5		13	13	13	000 - 255	Dimmer Fine
								Dim Modes
							000 - 020	Default to unit setting
							021 - 040	Standard
							041 - 060	Stage
							061 - 080	TV
							081 - 100	Architectural
							101 - 120	Theatre
							121 - 140	Stage 2

DMX TRAITS

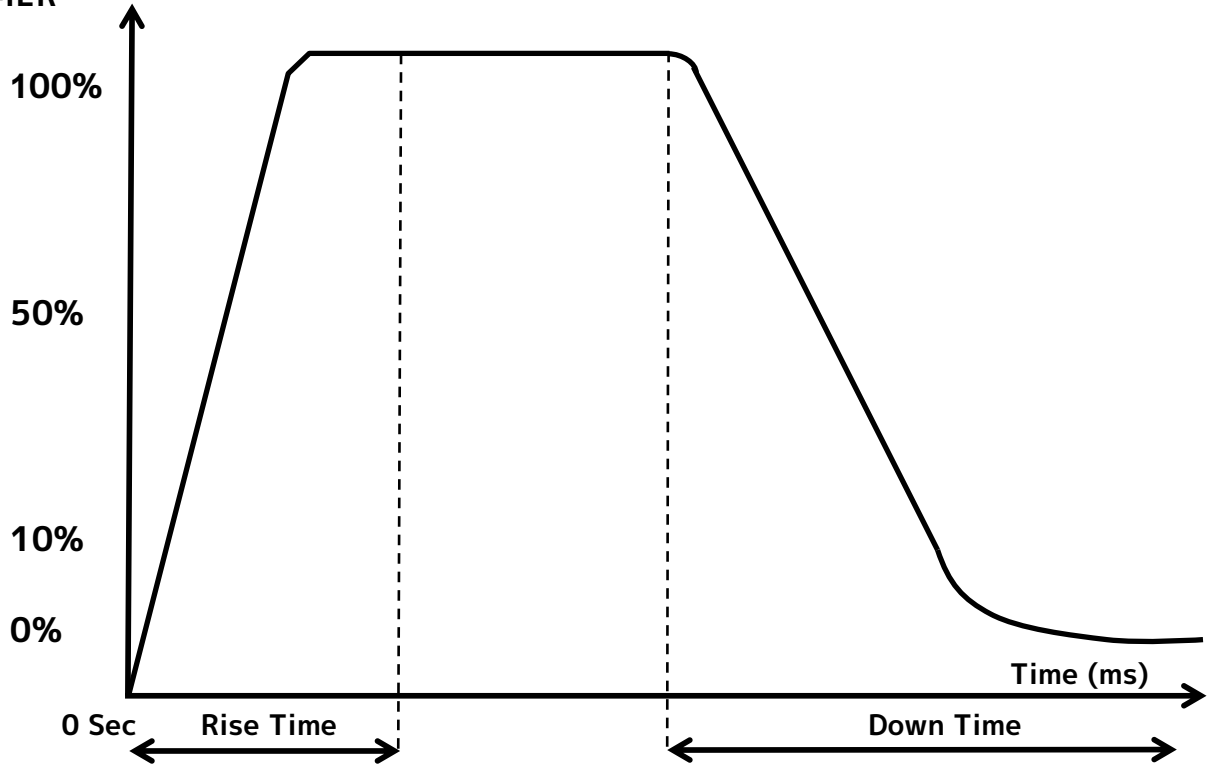
CHANNEL							DMX VALUE	FUNCTION	
2CH	4CH	5CH	6CH	13CH	14CH	16CH			
					14	14		Dimming Speed	
								141	0.1s
								142	0.2s
								143	0.3s
								144	0.4s
								145	0.5s
								146	0.6s
								147	0.7s
								148	0.8s
								149	0.9s
								150	1.0s
								151	1.5s
								152	2.0s
								153	3.0s
								154	4.0s
								155	5.0s
								156	6.0s
								157	7.0s
								158	8.0s
								159	9.0s
						160	10.0s		
						161 - 255	Default to unit setting		
					15		Dim Curves		
							000 - 020	Square	
							021 - 040	Linear	
							041 - 060	Inv. Squa	
							061 - 080	S. Curve	
							081 - 255	No function	
					16		LED Refresh Rates		
							000 - 010	Default Refresh Rate (1200 Hz)	
							011	900 Hz	
							012	910 Hz	
							013	920 Hz	
							014	930 Hz	
							015	940 Hz	
							016	950 Hz	
							017	960 Hz	
							018	970 Hz	
							019	980 Hz	
							020	990 Hz	
							021	1000 Hz	
							022	1010 Hz	
							023	1020 Hz	
							024	1030 Hz	
							025	1040 Hz	
							026	1050 Hz	
							027	1060 Hz	
							028	1070 Hz	
						029	1080 Hz		
						030	1090 Hz		
						031	1100 Hz		
						032	1110 Hz		
						033	1120 Hz		
						034	1130 Hz		
						035	1140 Hz		

DMX TRAITS

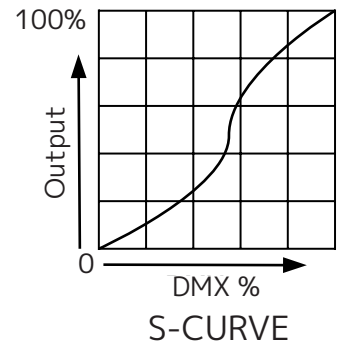
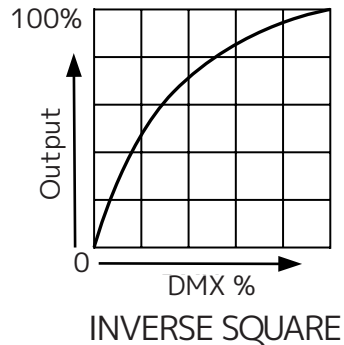
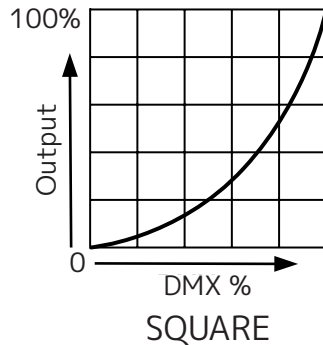
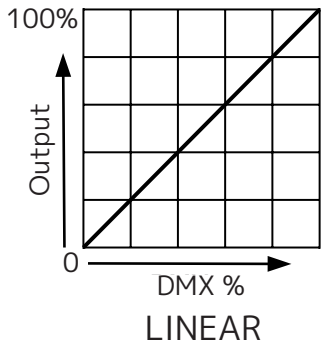
CHANNEL							DMX VALUE	FUNCTION
2CH	4CH	5CH	6CH	13CH	14CH	16CH		
								LED Refresh Rates
							036	1150 Hz
							037	1160 Hz
							038	1170 Hz
							039	1180 Hz
							040	1190 Hz
							041	1210 Hz
							042	1220 Hz
							043	1230 Hz
							044	1240 Hz
							045	1250 Hz
							046	1260 Hz
							047	1270 Hz
							048	1280 Hz
							049	1290 Hz
							050	1300 Hz
							051	1310 Hz
							052	1320 Hz
							053	1330 Hz
							054	1340 Hz
							055	1350 Hz
							056	1360 Hz
						16	057	1370 Hz
							058	1380 Hz
							059	1390 Hz
							060	1400 Hz
							061	1410 Hz
							062	1420 Hz
							063	1430 Hz
							064	1440 Hz
							065	1450 Hz
							066	1460 Hz
							067	1470 Hz
							068	1480 Hz
							069	1490 Hz
							070	1500 Hz
							071	2500 Hz
							072	4000 Hz
							073	5000 Hz
							074	6000 Hz
							075	10 KHz
							076	15 KHz
							077	20 KHz
							078	25 KHz
							079 - 255	No Function

DIM MODES

DIMMER



Dimming Curve Ramp Effect	0 sec Fade Time		1 sec Fade Time	
	Rise Time (ms)	Down Time (ms)	Rise Time (ms)	Down Time (ms)
Standard (default)	0	0	0	0
Stage	780	1100	1540	1660
TV	1180	1520	1860	1940
Architectural	1380	1730	2040	2120
Theatre	1580	1940	2230	2280
Stage 2	0	1100	0	1660



COLOR MACRO CHART

Color	DMX Value	RGBW COLOR INTENSITY				Color	DMX Value	RGBW COLOR INTENSITY			
		RED	GREEN	BLUE	W/A			RED	GREEN	BLUE	WHITE
Off	0	0	0	0	0	Color Macro 33	129-132	255	206	143	0
Color Macro 1	1-4	80	255	234	80	Color Macro 34	133-136	254	177	153	0
Color Macro 2	5-8	80	255	164	80	Color Macro 35	137-140	254	192	138	0
Color Macro 3	9-12	77	255	112	77	Color Macro 36	141-144	254	165	98	0
Color Macro 4	13-16	117	255	83	83	Color Macro 37	145-148	254	121	0	0
Color Macro 5	17-20	160	255	77	77	Color Macro 38	149-152	176	17	0	0
Color Macro 6	21-24	223	255	83	83	Color Macro 39	153-156	96	0	11	0
Color Macro 7	25-28	255	243	77	77	Color Macro 40	157-160	234	139	171	0
Color Macro 8	29-32	255	200	74	74	Color Macro 41	161-164	224	5	97	0
Color Macro 9	33-36	255	166	77	77	Color Macro 42	165-168	175	77	173	0
Color Macro 10	37-40	255	125	74	74	Color Macro 43	169-172	119	130	199	0
Color Macro 11	41-44	255	97	77	71	Color Macro 44	173-176	147	164	212	0
Color Macro 12	45-48	255	74	77	71	Color Macro 45	177-180	88	2	163	0
Color Macro 13	49-52	255	83	134	83	Color Macro 46	181-184	0	38	86	0
Color Macro 14	53-56	255	93	182	93	Color Macro 47	185-188	0	142	208	0
Color Macro 15	57-60	255	96	236	96	Color Macro 48	189-192	52	148	209	0
Color Macro 16	61-64	238	93	255	93	Color Macro 49	193-196	1	134	204	0
Color Macro 17	65-68	163	87	255	87	Color Macro 50	197-200	0	145	212	0
Color Macro 18	69-72	150	90	255	90	Color Macro 51	201-204	0	121	192	0
Color Macro 19	73-76	100	77	255	77	Color Macro 52	205-208	0	129	184	0
Color Macro 20	77-80	77	100	255	77	Color Macro 53	209-212	0	83	115	0
Color Macro 21	81-84	67	148	255	67	Color Macro 54	213-216	0	97	166	0
Color Macro 22	85-88	77	195	255	77	Color Macro 55	217-220	1	100	167	0
Color Macro 23	89-92	77	234	255	77	Color Macro 56	221-224	0	40	86	0
Color Macro 24	93-96	158	255	144	144	Color Macro 57	225-228	209	219	182	0
Color Macro 25	97-100	255	251	153	153	Color Macro 58	229-232	42	165	85	0
Color Macro 26	101-104	255	175	147	147	Color Macro 59	233-236	0	46	35	0
Color Macro 27	105-108	255	138	186	138	Color Macro 60	237-240	8	107	222	0
Color Macro 28	109-112	255	147	251	147	Color Macro 61	241-244	255	0	0	0
Color Macro 29	113-116	151	135	255	138	Color Macro 62	245-248	0	255	0	0
Color Macro 30	117-120	99	0	255	100	Color Macro 63	249-252	0	0	255	0
Color Macro 31	121-124	138	169	255	138	Color Macro 64	253-255	0	0	0	255
Color Macro 32	128-128	255	255	255	255						

DAISY CHAIN POWER LINKING

These units have the capability to be daisy chained together via the power in/out ports. **The maximum number of units that can be linked together in this manner is as follows:**

- **28 units maximum when running on 120V power.**
- **57 units maximum when running on 230V power.**

DO NOT EXCEED THE NUMBER OF UNITS LISTED ABOVE.

DO NOT MIX MAKE AND MODEL TYPES WHEN DAISY CHAINING! All units that are connected in this manner must be of the same make and model type.

CLEANING AND MAINTENANCE

DISCONNECT POWER BEFORE PERFORMING ANY MAINTENANCE!

CLEANING

Frequent cleaning is recommended to ensure proper function, optimized light output, and an extended life. The frequency of cleaning depends on the environment in which the fixture operates: damp, smoky, or particularly dirty environments can cause greater accumulation of dirt on the fixture's optics. Clean the external lens surface periodically with a soft cloth to avoid dirt/debris accumulation.

NEVER use alcohol, solvents, or ammonia-based cleaners.

MAINTENANCE

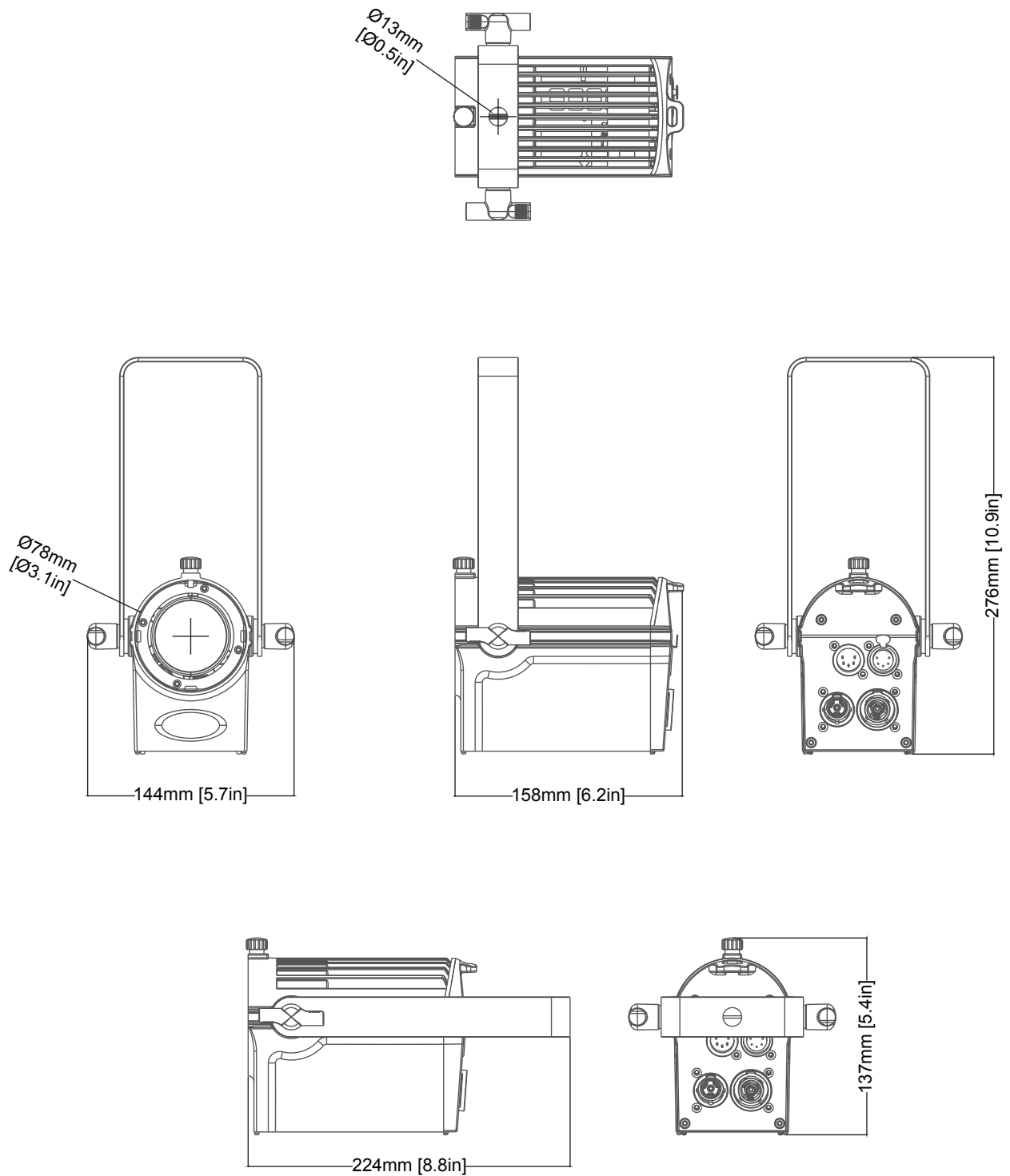
Regular inspections are recommended to ensure proper function and extended life. There are no user serviceable parts inside this fixture. Please refer all other service issues to an authorized ADJ service technician. Should you need any spare parts, please order genuine parts from your local ADJ dealer.

Please refer to the following points during routine inspections:

- A detailed electrical check by an approved electrical engineer every three months, to make sure the circuit contacts are in good condition and prevent overheating.
- Be sure all screws and fasteners are securely tightened at all times. Loose screws may fall out during normal operation, resulting in damage or injury as larger parts could fall.
- Check for any deformations on the housing, color lenses, rigging hardware, and rigging points (ceiling, suspension, trussing). Deformations in the housing could allow for dust or liquids to enter into the fixture. Damaged rigging points or unsecured rigging could cause the fixture to fall and seriously injure a person(s).
- Electric power supply cables must not show any damage, material fatigue, or sediments.
- **NEVER** remove the ground prong from the power cable.

DIMENSIONAL DRAWINGS

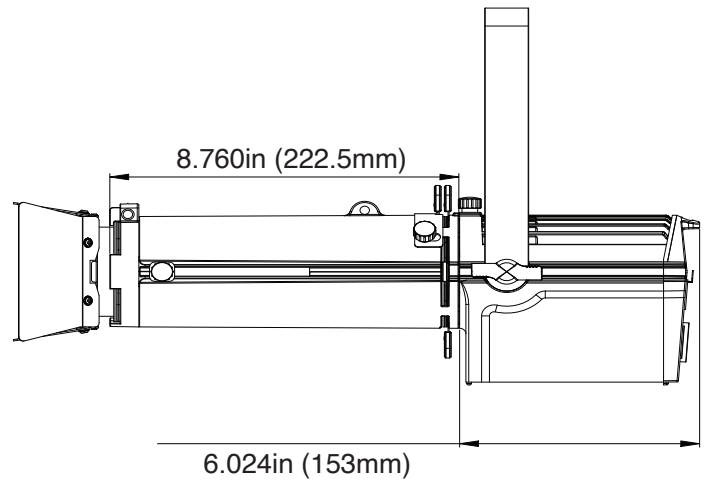
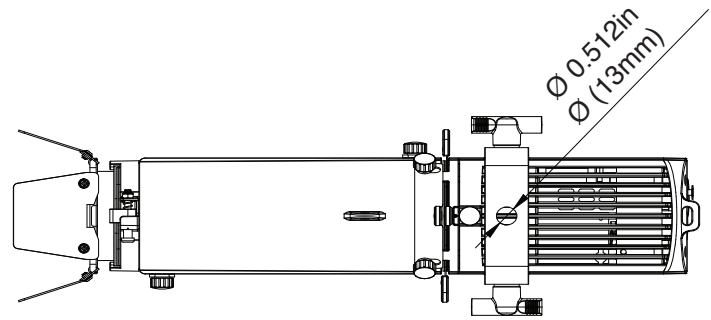
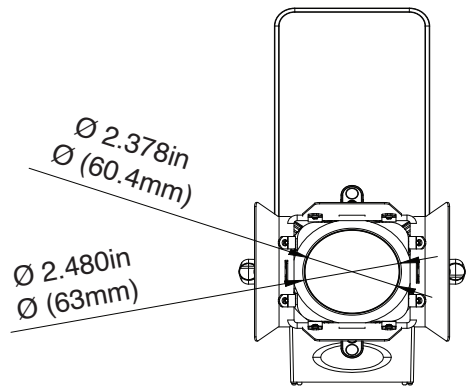
FIXTURE ONLY



Note: Height may depend on thumb screw tightness. Overall height when fully tightened is 137mm (5.4in) as shown below. Overall height with thumb screw loosened is 140mm (5.5in).

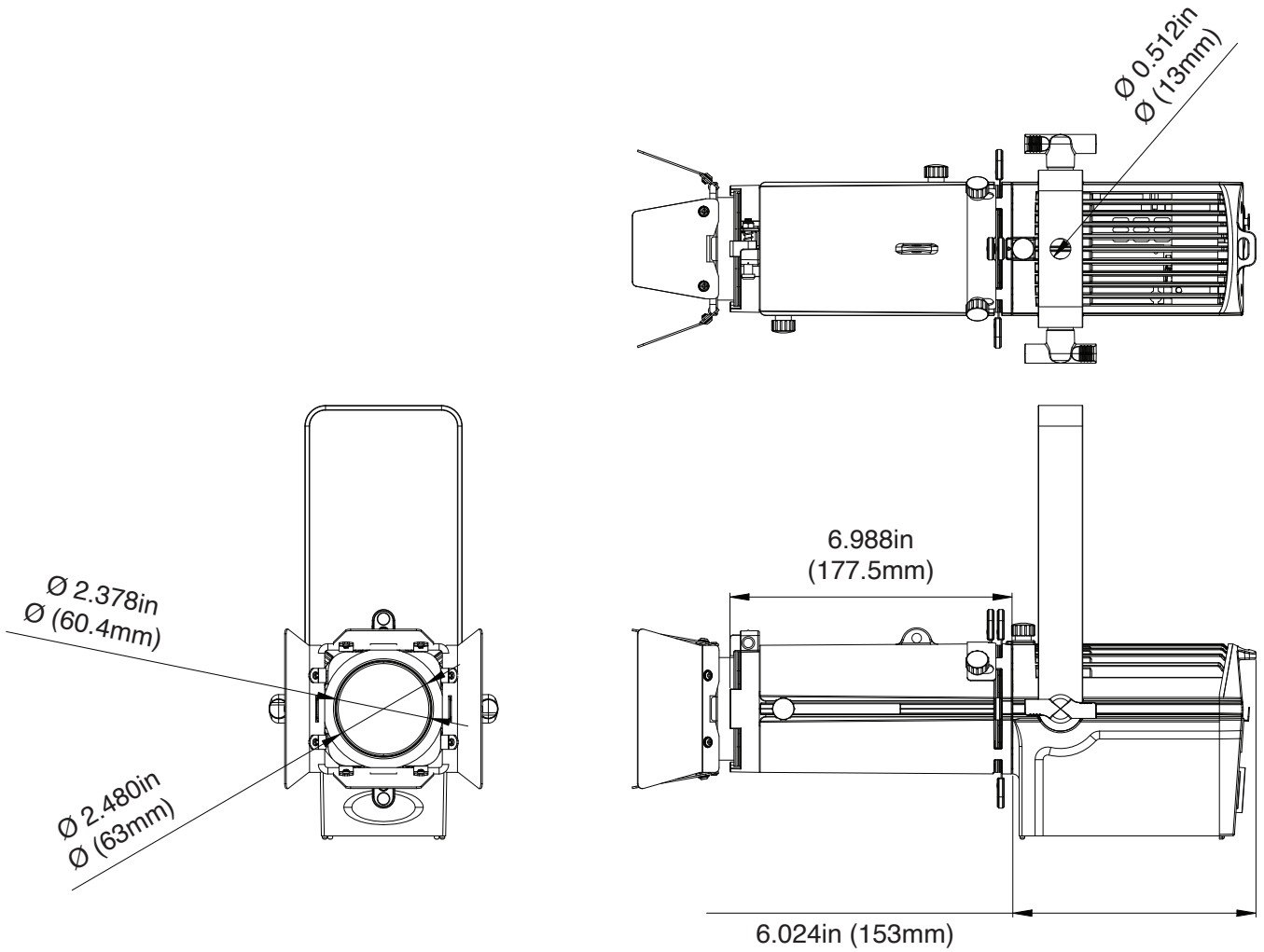
DIMENSIONAL DRAWINGS

15-30 LENS INSTALLED



DIMENSIONAL DRAWINGS

25-50 LENS INSTALLED



SPECIFICATIONS

SOURCE:

- 16x3.5W RGBWAL (Red/Green/Blue/White/Amber/Lime) LED Engine (One of the two lens options must be use for the fixture to work properly - See optional accessories below)
- 50,000 Hour Average LED Life (LED Life may vary depending on several factors including but not limited to: Environmental Conditions, Power/Voltage, Usage Patterns (On-Off Cycling), Control, and Dimming)

PHOTOMETRIC DATA:

- >86CRI 300 Total Lumens (4,200 CT)

EFFECTS:

- Electronic Strobe and Dimming
- Variable Dimming Curves and Dimming Modes
- Independent dynamic white fader feature that achieves white color temperatures from 2700K to 6500K

GOBOS:

- Metal GOBO Dimensions: Outer Diameter 45mm, Image Diameter 31mm
- Glass GOBO Dimensions: Outer Diameter 39.5mm, Image Diameter 31mm
- GOBOs are sold separately

CONTROL / CONNECTIONS:

- (7) DMX Channel Modes (2 / 4 / 5 / 6 / 13 / 14 / 16)
- Adjustable Refresh Rate (900-1500, 25,000 Hz)
- 4 Button Control Panel
- OLED Menu Display
- Locking 5pin XLR Connector In/Out
- IP65 Locking Power In/Out
- With Wired Digital Communication Network
- RDM (Remote Device Management)
- USB Service Port

SIZE / WEIGHT:

- Length: 8.8" (224mm) (NO LENS)
- Width: 5.7" (144mm)
- Vertical Height: 10.9" (276mm)
- Weight: 4.0 lbs. (1.8 kg)

ELECTRICAL / THERMAL:

- Convection Cooling
- AC 100-240V - 50/60Hz
- 55W Max Power Consumption @ 120V
- Power Linking: 28pcs Max @120V / 57pcs Max @230V
- Minimum and Maximum Ambient Temperatures: 14° to 113°F (-10° to 45°C)

APPROVALS / RATINGS:

- CE | cETLus (Control # 4010765) | IP20



ERROR CODES

CODE	DESCRIPTION
LED Temp	LED Temperature Error

ACCESSORY INFORMATION

SKU (US)	SKU (EU)	DESCRIPTION
EPL113	1237000328	EP Mini Lens, 15- to 30-degree Manual Zoom Lens
EPL126	1237000329	EP Mini Lens, 25- to 50-degree Manual Zoom Lens
EPL166	Pending	EP Mini Fresnel Lens: Beam Angle, 14- to 26-degree Lens
EPL153	1237000330	EP Mini BDA barn door assembly
SIP064	1621000074	1.64-ft IP65 male to female twist lock power link cable
SIP113	1621000075	3-ft IP65 male to female twist lock power link cable
SIP126	1621000076	5-ft IP65 male to female twist lock power link cable
SIP139	1621000077	10-ft IP65 male to female twist lock power link cable
SIP152	Pending	16-ft IP65 male to female twist lock power link cable
SIP165	1621000079	25-ft IP65 male to female twist lock power link cable
SIP178	1621000080	50-ft IP65 male to female twist lock power link cable
SIP191	1621000081	100-ft IP65 male to female twist lock power link cable

