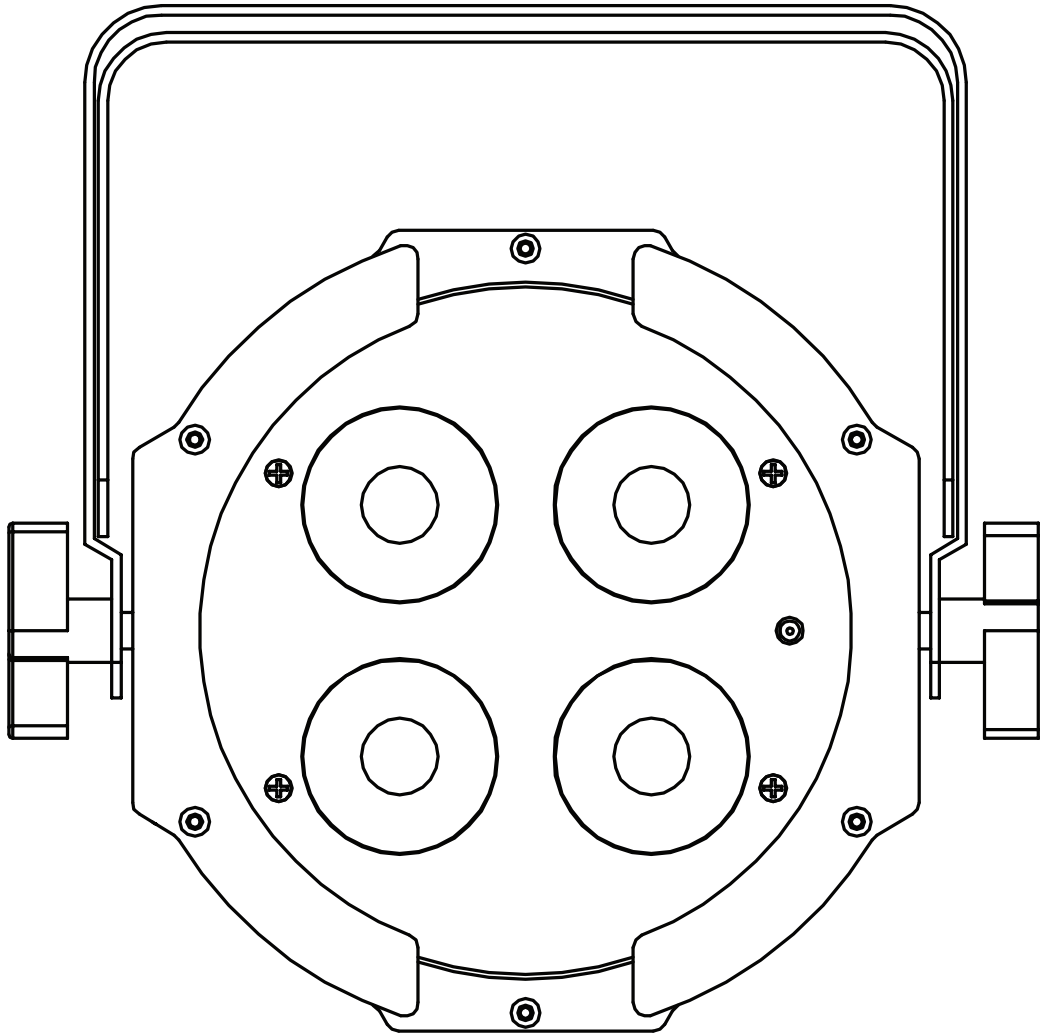


ELIMINATOR[®]

LIGHTING



MEGA HEX L PAR

User Manual

©2024 **Eliminator Lighting** all rights reserved. Information, specifications, diagrams, images, and instructions herein are subject to change without notice. Eliminator logo and identifying product names and numbers herein are trademarks of Eliminator Lighting. Copyright protection claimed includes all forms and matters of copyrightable materials and information now allowed by statutory or judicial law or hereinafter granted. Product names used in this document may be trademarks or registered trademarks of their respective companies and are hereby acknowledged. All non-Eliminator brands and product names are trademarks or registered trademarks of their respective companies.

Eliminator Lighting and all affiliated companies hereby disclaim any and all liabilities for property, equipment, building, and electrical damages, injuries to any persons, and direct or indirect economic loss associated with the use or reliance of any information contained within this document, and/or as a result of the improper, unsafe, insufficient and negligent assembly, installation, rigging, and operation of this product.

Eliminator Lighting

6122 S. Eastern Ave. Los Angeles, CA. 90040
323-582-2650 | Fax 323-532-2941 | www.adj.com | info@adj.com

ADJ SUPPLY Europe B.V

Junostraat 2 6468 EW Kerkrade, The Netherlands
+31 (0)45 546 85 00 | Fax +31 45 546 85 99
www.americandj.eu | info@americandj.eu

ADJ PRODUCTS GROUP Mexico

AV Santa Ana 30 Parque Industrial Lerma, Lerma, Mexico 52000
+52 (728) 282-7070

DOCUMENT VERSION



Due to additional product features and/or enhancements, an updated version of this document may be available online. Please check www.adj.com for the latest revision/update of this manual before beginning installation and/or programming.

Date	Document Version	Software Version >	DMX Channel Mode	Notes
08/10/23	1.0	1.00	6 / 8 / 9 / 12 / 14 / 15 / 17 Ch	Initial release
01/30/24	1.1	N/C	No Change	Updated ETL and FCC

CONTENTS

General Information	4
Limited Warranty (USA Only)	5
Warranty Registration Features	6
Safety Guidelines	7
Battery Precautions	8
Overview	10
Installation Guidelines	11
Accessory Installation	15
IR Remote	16
Remote Device Management (RDM)	18
System Menu	19
Operation Modes	23
Primary-Secondary Set Up	26
DMX Setup	27
DMX Traits	30
Color Macros Chart	32
White Color Temperature Chart	33
Dimmer Curve	34
Power Linking Cleaning	35
Specifications	36
Dimensional Drawings	37
FCC Statement	38

GENERAL INFORMATION

INTRODUCTION

Please read and understand all instructions in this manual carefully and thoroughly before attempting to operate these products. These instructions contain important safety and use information. **This product is intended for use by professionally trained personnel only, and is not suitable for private use.**

UNPACKING

This fixture has been thoroughly tested and has been shipped in perfect operating condition. Carefully check the shipping carton for damage that may have occurred during shipping. If the carton appears to be damaged, carefully inspect the unit for damage and be sure all accessories necessary to operate the unit have arrived intact. In the event damage has been found or parts are missing, please contact our customer support team for further instructions. Please do not return this kit to your dealer without first contacting customer support at the number listed below. Please do not discard the shipping carton in the trash. Please recycle whenever possible.

CUSTOMER SUPPORT

Tel: (323) 213-4592 | Fax: (323) 582-2941

www.adj.com | support@eliminatorlighting.com

WARRANTY RETURNS

All returned service items, whether under warranty or not, must be freight pre-paid and accompanied by a return authorization (R.A.) number. The R.A. number must be clearly written on the outside of the return package. A brief description of the problem as well as the R.A. number must also be written down on a piece of paper and included in the shipping container. If the unit is under warranty, you must provide a copy of your proof of purchase invoice. Items returned without an R.A. number clearly marked on the outside of the package will be refused and returned at customer's expense. You may obtain an R.A. number by contacting customer support.

LIMITED WARRANTY (USA ONLY)

- A. Eliminator Lighting, an ADJ Products, LLC brand, hereby warrants, to the original purchaser, Eliminator Lighting products to be free of manufacturing defects in material and workmanship for a prescribed period from the date of purchase (see specific warranty period on reverse). This warranty shall be valid only if the product is purchased within the United States of America, including possessions and territories. It is the owner's responsibility to establish the date and place of purchase by acceptable evidence, at the time service is sought.
- B. For warranty service, you must obtain a Return Authorization number (RA#) before sending back the product—please contact ADJ Products, LLC Service Department at 800-322-6337. Send the product only to the Eliminator Lighting factory. All shipping charges must be pre-paid. If the requested repairs or service (including parts replacement) are within the terms of this warranty, Eliminator Lighting will pay return shipping charges only to a designated point within the United States. If the entire instrument is sent, it must be shipped in its original package. No accessories should be shipped with the product. If any accessories are shipped with the product, Eliminator Lighting shall have no liability whatsoever for loss of or damage to any such accessories, or for the safe return thereof.
- C. This warranty is void if the serial number has been altered or removed; if the product is modified in any manner which Eliminator Lighting concludes, after inspection, affects the reliability of the product, if the product has been repaired or service by anyone other than ADJ Products, LLC factory unless prior written authorization was issued to purchaser by Eliminator Lighting; if the product is damaged because not properly maintained as set forth in the instruction manual.
- D. This is not a service contract, and this warranty does not include maintenance, cleaning or periodic check up. During the period specified above, Eliminator Lighting will replace defective parts at its expense with new or refurbished parts, and will absorb all expenses for warranty service and repair labor by reason of defects in material or workmanship. The sole responsibility of Eliminator Lighting under this warranty shall be limited to the repair of the product, or replacement thereof, including parts, at the sole discretion of Eliminator Lighting. All products covered by this warranty were manufactured after August 15, 2012, and bear identifying marks to that effect.
- E. Eliminator Lighting reserves the right to make changes in design and/or improvements upon its products without any obligation to include these changes in any products theretofore manufactured.
- F. No warranty, whether expressed or implied, is given or made with respect to any accessory supplied with products described above. Except to the extent prohibited by applicable law, all implied warranties made by Eliminator Lighting in connection with this product, including warranties of merchantability or fitness, are limited in duration to the warranty period set forth above. And no warranties, whether expressed or implied, including warranties of merchantability or fitness, shall apply to this product after said period has expired. The consumer's and/or Dealer's sole remedy shall be such repair or replacement as is expressly provided above; and under no circumstances shall Eliminator Lighting be liable for any loss or damage, direct or consequential, arising out of the use of, or inability to use, this product.
- G. This warranty is the only written warranty applicable to Eliminator Lighting products and supersedes all prior warranties and written descriptions of warranty terms and conditions heretofore published.

LIMITED WARRANTY PERIODS

- **All Eliminator Lighting products (except laser diodes) = 1-year (365 days) Limited Warranty** (Such as: Special Effect Lighting, Intelligent Lighting, UV lighting, Strobos, Fog Machines, Bubble Machines, Mirror Balls, Par Cans, Trussing, Lighting Stands etc. excluding LED and lamps)
- **Laser Products = 1 Year (365 Days) Limited Warranty** (excludes laser diodes which have 6 month limited warranty)
- **Batteries = 180 Day Limited Warranty** (excluding batteries which have a 180 day limited warranty)

WARRANTY REGISTRATION

Please fill out the enclosed warranty card to validate your purchase. All returned service items, whether under warranty or not, must be freight pre-paid and accompanied by a return authorization (R.A.) number. The R.A. number must be clearly written on the outside of the return package. A brief description of the problem as well as the R.A. number must also be written down on a piece of paper included in the shipping carton. If the unit is under warranty, you must provide a copy of your proof of purchase invoice. You may obtain an R.A. number by contacting our customer support team. All pack-ages returned to the service department not displaying an R.A. number on the outside of the package will be returned to the shipper.

FEATURES

The Eliminator Mega Hex L Par is a compact, LED Par with 4 x 20-Watt, 6-IN-1 (RGBLA + UV) LEDs and Eliminator's patented "sit-flat" design so that it may sit directly on the ground or inside truss. It includes the UC IR24 wireless IR remote control.

INCLUDED ITEMS

- Power Cord (x1)
- UC IR24 wireless remote controller (x1)
- 20-degree Filter (x1)

SAFETY GUIDELINES

To guarantee a smooth operation, it is important to follow all instructions and guidelines in this manual. Eliminator Lighting is not responsible for injury and/or damages resulting from the misuse of this fixture due to the disregard of the information printed in this manual. Only qualified and/or certified personnel should perform installation of this fixture and only the original rigging parts included with this fixture should be used for installation. Any modifications to the fixture and/or the included mounting hardware will void the original manufacturer's warranty and increase the risk of damage and/or personal injury.



PROTECTION CLASS 1 - FIXTURE MUST BE PROPERLY GROUNDED

THERE ARE NO USER SERVICEABLE PARTS INSIDE THIS UNIT. DO NOT ATTEMPT ANY REPAIRS YOURSELF, AS DOING SO WILL VOID YOUR MANUFACTURER'S WARRANTY. DAMAGES RESULTING FROM MODIFICATIONS TO THIS FIXTURE AND/OR THE DISREGARD OF SAFETY INSTRUCTIONS AND GUIDELINES IN THIS MANUAL VOID THE MANUFACTURER'S WARRANTY AND ARE NOT SUBJECT TO ANY WARRANTY CLAIMS AND/OR REPAIRS.



**DO NOT PLUG FIXTURE INTO A DIMMER PACK!
NEVER OPEN THIS FIXTURE WHILE IN USE!
UNPLUG POWER BEFORE SERVICING FIXTURE!
NEVER TOUCH FIXTURE DURING OPERATION AS FIXTURE SURFACE MAY BE HOT!**



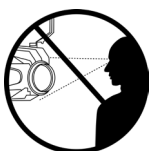
AMBIENT OPERATING TEMPERATURE RANGE IS FROM -4°F TO 113°F (- 20°C TO 45°C). DO NOT OPERATE WHEN AMBIENT TEMPERATURE FALLS OUTSIDE THIS RANGE!



**DO NOT TOUCH THE HOUSING WITH BARE HANDS DURING OPERATION, AS SURFACES MAY BE HOT! TURN OFF THE POWER AND ALLOW ABOUT 15 MINUTES FOR THE UNIT TO COOL DOWN BEFORE REPLACING OR SERVICING.
KEEP FLAMMABLE MATERIALS AWAY FROM FIXTURE!**



IF THE FIXTURE IS EXPOSED TO ENVIRONMENTAL TEMPERATURE CHANGES SUCH AS RELOCATION FROM AN OUTDOOR COLD TO AN INDOOR WARM ENVIRONMENT, DO NOT POWER THE FIXTURE ON IMMEDIATELY. INTERNAL CONDENSATION AS A RESULT OF ENVIRONMENTAL TEMPERATURE CHANGE CAN CAUSE INTERNAL FIXTURE DAMAGE. LEAVE THE FIXTURE POWERED OFF UNTIL IT HAS REACHED ROOM TEMPERATURE BEFORE POWERING ON.

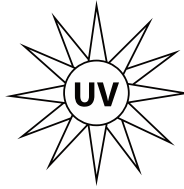


NEVER LOOK DIRECTLY INTO THE LIGHT SOURCE! RETINA INJURY RISK - MAY INDUCE BLINDNESS! SENSITIVE PERSONS MAY SUFFER AN EPILEPTIC SHOCK! THIS IS A RISK GROUP 3 (HIGH RISK) PRODUCT ACCORDING TO EN 62471 AND IEC/TR 62778. THE LUMINAIRE SHOULD BE POSITIONED 63 METERS OR MORE FROM THE OUTPUT OF THE FIXTURE TO REDUCE OR ELIMINATE EXPOSURE.

SAFETY GUIDELINES



HIGH INTENSITY ULTRAVIOLET LIGHT



**AVOID DIRECT EYE & SKIN EXPOSURE.
WEAR PROPER EYE & SKIN PROTECTION.
SEE MANUAL FOR SAFETY INSTRUCTIONS.**

RISK GROUP 3 - RISK OF EXPOSURE TO ULTRAVIOLET UV RADIATION!

FIXTURE EMITS HIGH INTENSITY WAVELENGTH OF ULTRAVIOLET UV LIGHT FROM THE UV COLOR FILTER.

WEAR PROPER EYE AND SKIN PROTECTION. AVOID PROLONGED PERIODS OF EXPOSURE TO UV COLOR FILTER.

AVOID WEARING WHITE COLOR CLOTHING AND/OR USING UV PAINTS ON SKIN. AVOID DIRECT EYE AND/OR SKIN EXPOSURE AT DISTANCES LESS THAN 11 feet (3.3m).

DO NOT OPERATE FIXTURE WITH DAMAGED/MISSING EXTERNAL COVERS.

DO NOT LOOK DIRECTLY INTO THE UV LIGHT AND/OR VIEW UV LIGHT DIRECTLY WITH OPTICAL INSTRUMENTS THAT MAY CONCENTRATE THE LIGHT/RADIATION OUTPUT.

INDIVIDUALS SUFFERING FROM A RANGE OF EYE CONDITIONS, SUNLIGHT EXPOSURE DISORDERS, OR INDIVIDUALS USING PHOTOSENSITIVE MEDICATION, MAY EXPERIENCE DISCOMFORT IF EXPOSED TO THE ULTRAVIOLET UV LIGHT EMITTED FROM THE UV LED.

BATTERY PRECAUTIONS

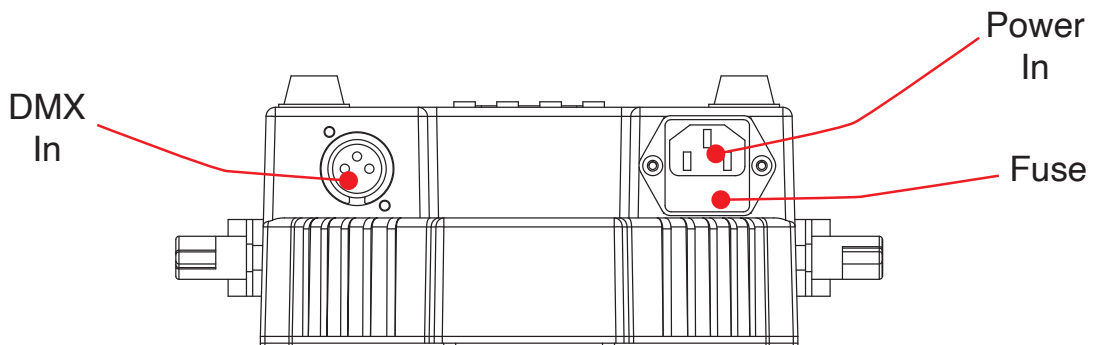
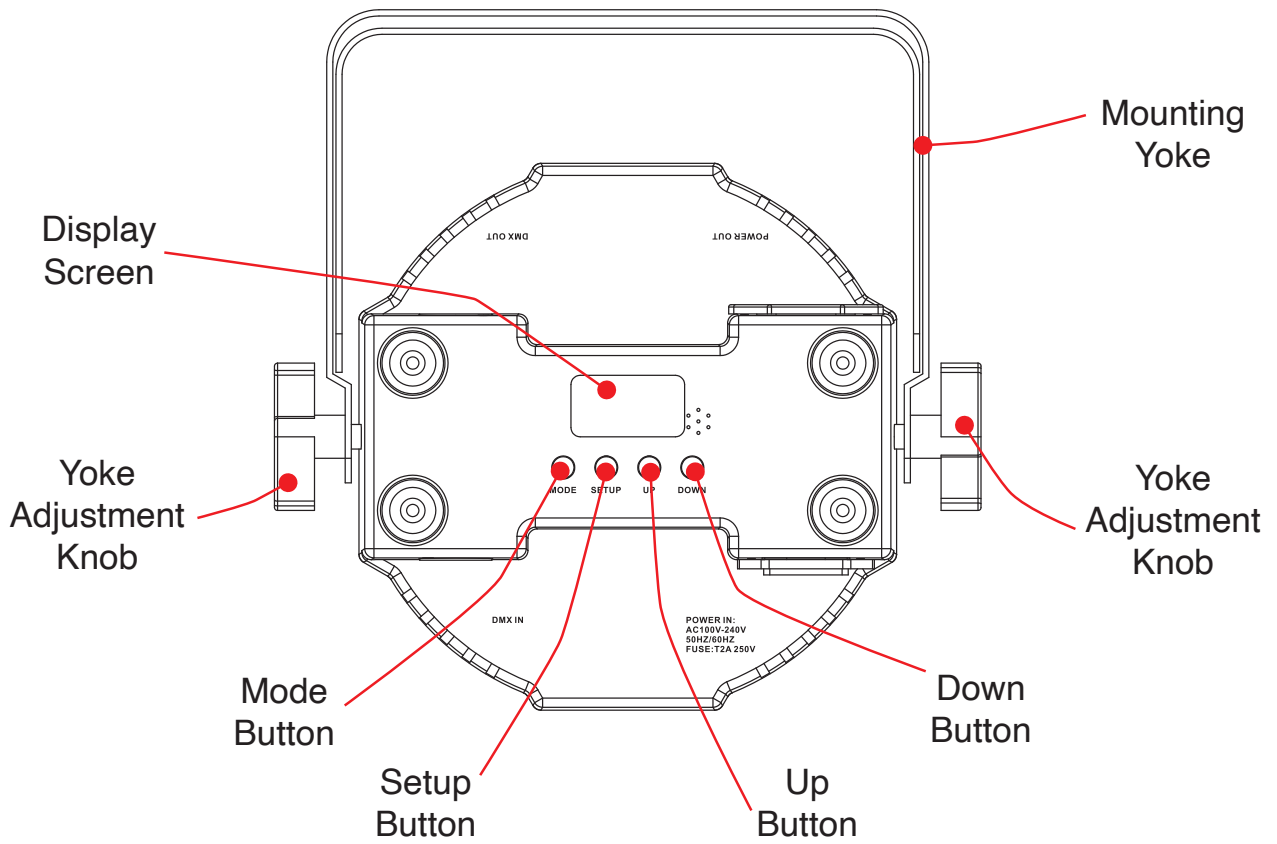
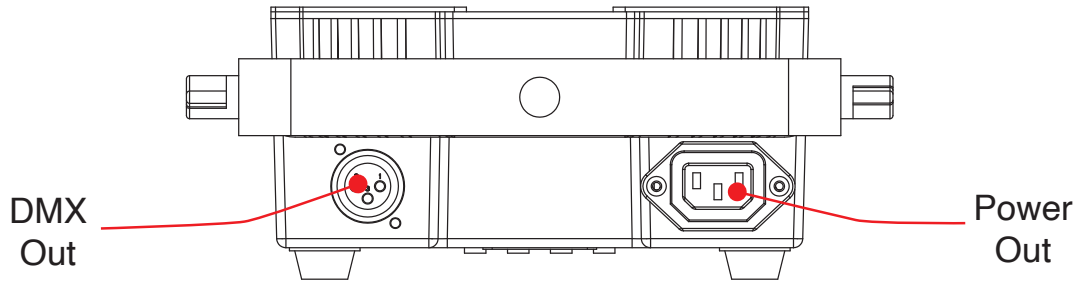
1. Remove and immediately recycle or dispose of used batteries according to local regulations and keep away from children. Do NOT dispose of batteries in household trash or incinerate.
2. Even used batteries may cause severe injury or death.
3. Call a local poison control center for treatment information.
4. This product contains a type CR2025 3V button cell.
5. The button cell is Non-rechargeable batteries are not to be recharged.
6. Do not force discharge, recharge, disassemble, heat above 60°C or incinerate. Doing so may result in injury due to venting, leakage or explosion resulting in chemical burns.
7. Ensure the batteries are installed correctly according to polarity (+ and -).
8. Do not mix old and new batteries, different brands or types of batteries, such as alkaline, carbon-zinc, or rechargeable batteries.
9. Remove and immediately recycle or dispose of batteries from equipment not used for an extended period of time according to local regulations.
10. Always completely secure the battery compartment. If the battery compartment does not close securely, stop using the product, remove the batteries, and keep them away from children.

SAFETY GUIDELINES

THIS FIXTURE IS COMPOSED OF SOPHISTICATED ELECTRONIC COMPONENTS. TO GUARANTEE SMOOTH OPERATION, IT IS IMPORTANT TO FOLLOW ALL INSTRUCTIONS AND GUIDELINES IN THIS MANUAL. ELIMINATOR LIGHTING IS NOT RESPONSIBLE FOR INJURY AND/OR DAMAGES RESULTING FROM THE MISUSE OF THIS FIXTURE DUE TO THE DISREGARD OF THE INFORMATION PRINTED IN THIS MANUAL. ONLY QUALIFIED AND/OR CERTIFIED PERSONNEL SHOULD PERFORM INSTALLATION OF THIS FIXTURE AND ONLY THE ORIGINAL RIGGING PARTS INCLUDED WITH THIS FIXTURE SHOULD BE USED FOR INSTALLATION. ANY MODIFICATIONS TO THE FIXTURE AND/OR THE INCLUDED MOUNTING HARDWARE WILL VOID THE ORIGINAL MANUFACTURER'S WARRANTY AND INCREASE THE RISK OF DAMAGE AND/OR PERSONAL INJURY. ONLY CERTIFIED PERSONNEL SHOULD PERFORM INSTALLATION OF THIS FIXTURE.

- PROTECTION CLASS 1 - FIXTURE MUST BE PROPERLY GROUNDED.
- THERE ARE NO USER SERVICEABLE PARTS INSIDE THIS UNIT.
- DO NOT ATTEMPT ANY REPAIRS YOURSELF, AS DOING SO WILL VOID YOUR MANUFACTURER'S WARRANTY. DAMAGES RESULTING FROM MODIFICATIONS TO THIS FIXTURE AND/OR THE DISREGARD OF SAFETY INSTRUCTIONS AND GUIDELINES IN THIS MANUAL VOID THE MANUFACTURER'S WARRANTY AND ARE NOT SUBJECT TO ANY WARRANTY CLAIMS AND/OR REPAIRS.
- DO NOT PLUG FIXTURE INTO A DIMMER PACK!
- NEVER OPEN THIS FIXTURE WHILE IN USE!
- UNPLUG POWER BEFORE SERVICING FIXTURE!
- NEVER TOUCH FIXTURE DURING OPERATION, AS IT MAY BE HOT!
- KEEP FLAMMABLE MATERIALS AWAY FROM FIXTURE!
- RETINA INJURY RISK - MAY INDUCE BLINDNESS! NEVER LOOK DIRECTLY INTO THE LIGHT SOURCE!
- SENSITIVE PERSONS MAY SUFFER AN EPILEPTIC SHOCK!
- INDOOR / DRY LOCATIONS USE ONLY!
- DO NOT EXPOSE FIXTURE TO RAIN AND MOISTURE!
- MINIMUM DISTANCE TO OBJECTS/SURFACES IS 1.6 FEET (0.5 METERS)
- MINIMUM DISTANCE TO FLAMMABLE MATERIALS FROM THE SURFACE IS 8.5 INCHES (22 CM).
- DO NOT TOUCH the fixture housing during operation. Turn OFF the power and allow approximately 15 minutes for the fixture to cool down before serving.
- DO NOT shake fixture, and avoid brute force when installing and/or operating fixture.
- DO NOT operate fixture if the power cord is frayed, crimped, damaged and/or if any of the power cord connectors are damaged and do not insert into the fixture securely with ease.
- NEVER force a power cord connector into the fixture. If the power cord or any of its connectors are damaged, replace it immediately with a new one of the same power rating.
- DO NOT block any air ventilation slots. All fan and air inlets must remain clean and never blocked. Allow approx. 20" (15cm) between fixture and other devices or a wall for proper cooling.
- When installing fixture in a suspended environment, always use mounting hardware that is no less than M10 x 25 mm, and always install fixture with an appropriately rated safety cable.
- Always disconnect fixture from main power source before performing any type of service and/or cleaning procedure.
- Only handle the power cord by the plug end. Never pull out the plug by tugging the wire portion of the cord.
- During the initial operation of this fixture, a light smoke or smell may emit from the interior of the fixture. This is a normal process and is caused by excess paint in the interior of the casing burning off from the heat associated with the lamp and will decrease gradually over time.
- Consistent operational breaks will ensure fixture will function properly for many years.
- Only use original packaging and materials to transport the fixture in for service.

OVERVIEW



INSTALLATION GUIDELINES



FLAMMABLE MATERIAL WARNING

Keep fixture at least 7.9in. (0.2m) away from any flammable materials, decorations, pyrotechnics, etc.



ELECTRICAL CONNECTIONS

A qualified electrician should be used for all electrical connections and/or installations.



MINIMUM DISTANCE TO OBJECTS/SURFACES MUST BE 1.6 FEET (0.5 METERS)

DO NOT INSTALL THE FIXTURE IF YOU ARE NOT QUALIFIED TO DO SO!

Fixture **MUST** be installed following all local, national, and country commercial electrical and construction codes and regulations. Before rigging/mounting the fixture to any metal truss/structure or placing the fixture on any surface, a professional equipment installer **MUST** be consulted to determine if the metal truss/structure or surface is properly certified to safely hold the combined weight of the fixture, clamps, cables, and accessories.

Overhead fixture installation must always be secured with a secondary safety attachment, such as an appropriately rated safety cable that meets all local, national, and country codes and regulations.

Fixture ambient operating temperature range is **-4°F to 113°F. (-20°C to 45°C)**. Do not use this fixture when ambient temperature falls outside of this range!

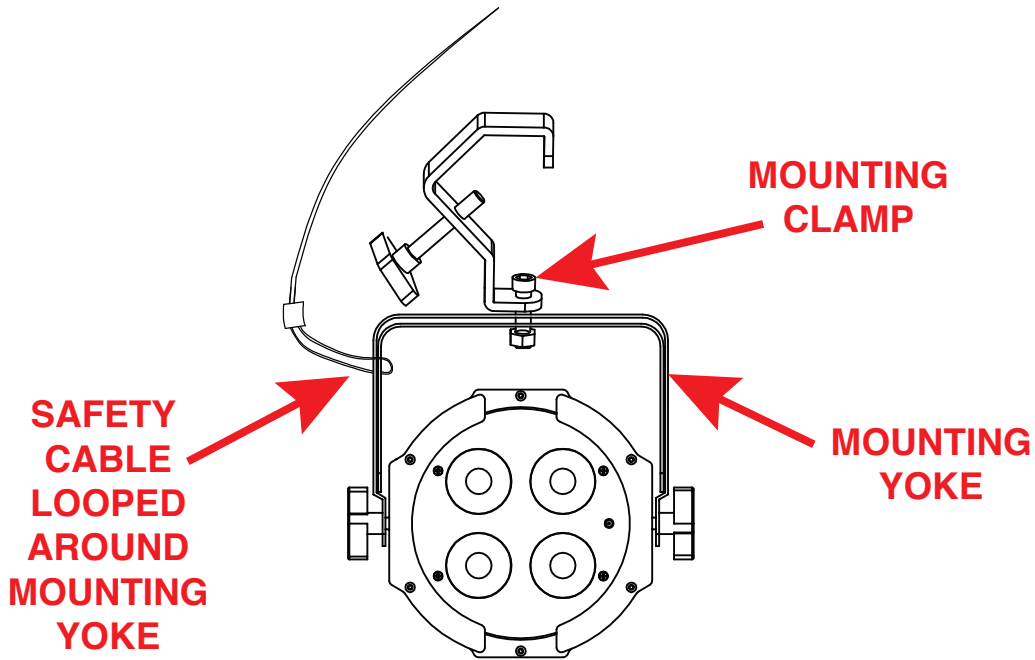
Fixture should be installed away from walking paths, seating areas, or areas where unauthorized personnel might reach the fixture by hand.

NEVER stand directly below the fixture when rigging, removing, or servicing.

Allow approximately 15-minutes for the fixture to cool down before servicing.

INSTALLATION GUIDELINES

NOTICE: The suitable environmental temperature for this lighting fixture is -4°F to 113°F (-20°C to 45°C). Do not place this lighting fixture in an environment where the temperatures fall outside of this range. This will allow the fixture to run at its best and help prolong the fixture life.



Align the hole of a mounting clamp with the hole in the mounting yoke, then insert an M12 screw through the aligned holes and secure in place with a locking nut. Loop one end of an appropriately rated safety cable (not included) around the mounting yoke, and attach the other end to a secure mounting surface or mounting point. **The clamp should be rated for at least 10 times the weight of the fixture, and the safety cable should be rated for at least 12 times the weight of the fixture.** Never stand directly below the unit when mounting, removing, or servicing the unit.

Overhead mounting requires extensive experience, including calculating working load limits, installation material being used, and periodic safety inspection of all installation material and unit. If you lack these qualifications, do not attempt the installation yourself.

NOTE: These installations should be checked by a skilled person once a year.

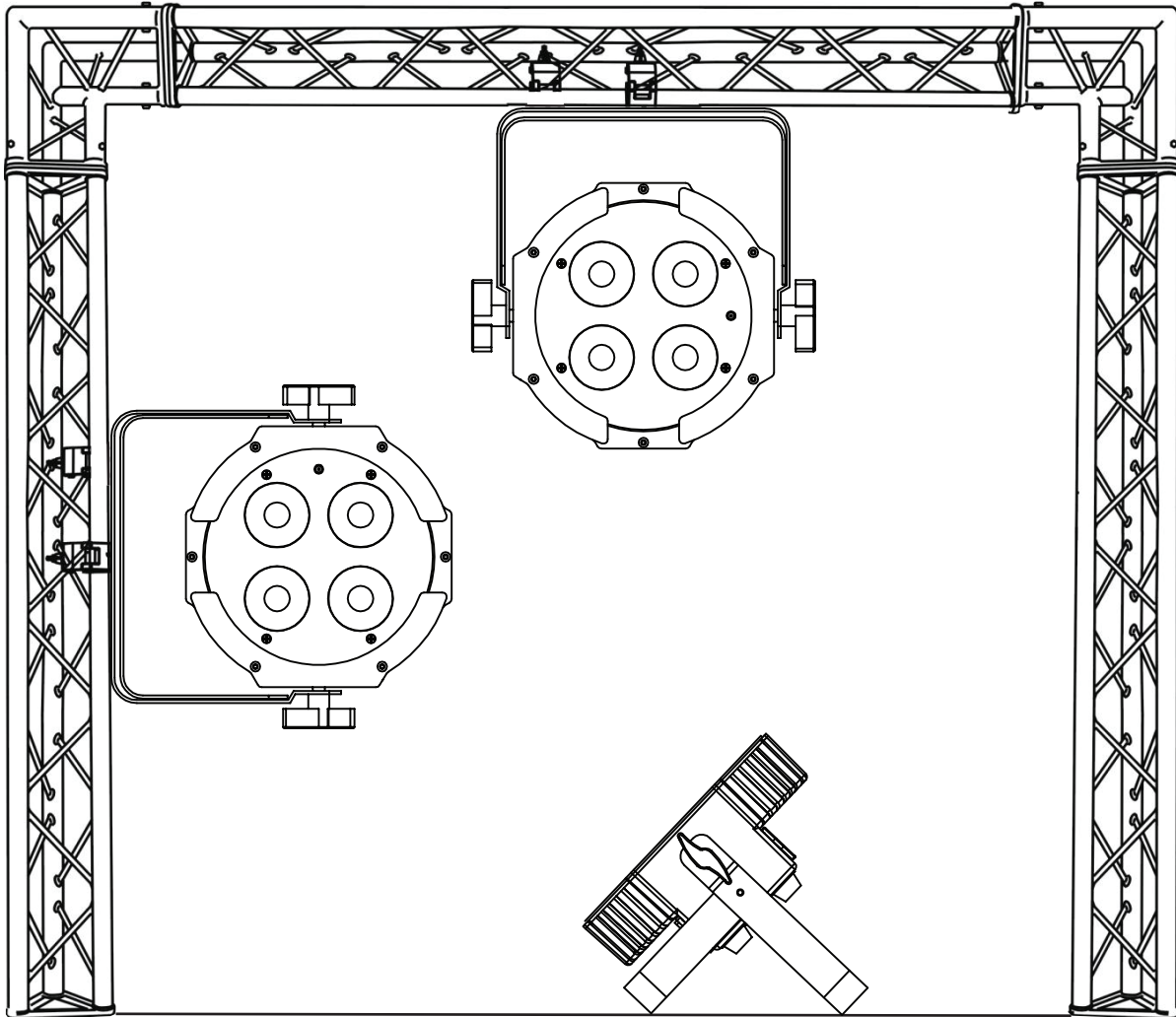


SAFETY CABLE

ALWAYS ATTACH A SAFETY CABLE WHENEVER INSTALLING THIS FIXTURE IN A SUSPENDED ENVIRONMENT TO ENSURE THE FIXTURE WILL NOT DROP IF THE CLAMP FAILS.

INSTALLATION GUIDELINES

The fixture is fully operational in three different mounting positions: hanging upside-down, mounted sideways on trussing, or set on a flat level surface. Be sure this fixture is kept at least 0.2m (8in.) away from any flammable materials (decoration etc.). Always use an appropriately rated safety cable as a safety measure to prevent accidental damage and/or injury in the event the clamp fails. Never use the carrying handles for secondary attachment.



SAFETY CABLE

ALWAYS ATTACH A SAFETY CABLE WHENEVER INSTALLING THIS FIXTURE IN A SUSPENDED ENVIRONMENT TO ENSURE THE FIXTURE WILL NOT DROP IF THE CLAMP FAILS.

CAUTION: Falling fixtures can cause severe injury or serious equipment damage! For this reason, fixtures should be installed and inspected only by qualified personnel. Do not install the unit if you lack the qualifications to do so, or if you have doubts about the safety and security of the installation setup or location!

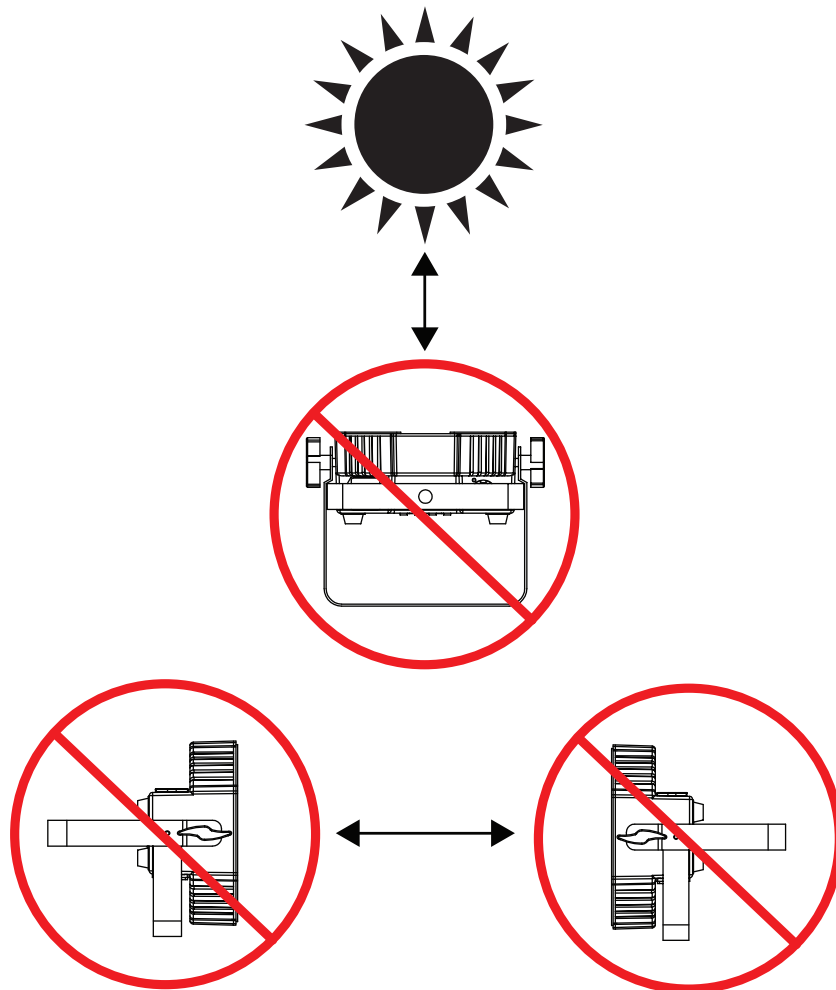
INSTALLATION GUIDELINES

POTENTIAL INTERNAL FIXTURE DAMAGE FROM EXTERNAL SOURCES OF LIGHT BEAMS

External sources of light beams from direct sunlight, lighting moving head fixtures, and lasers, which are focused directly towards the exterior housing and/or penetrate the front lens opening of Eliminator lighting fixtures, can cause severe internal damage including burning to optics, dichroic color filters, glass and metal gobos, prisms, animation wheels, frost filters, iris, shutters, motors, belts, wiring, discharge lamps, and LEDs.

This issue is not specific only to Eliminator lighting fixtures, it is a common issue with lighting fixtures from all manufacturers. Although there is no true way to fully prevent this issue from happening, the guidelines below can prevent any potential damage from occurring if followed. Contact ADJ Service for more details.

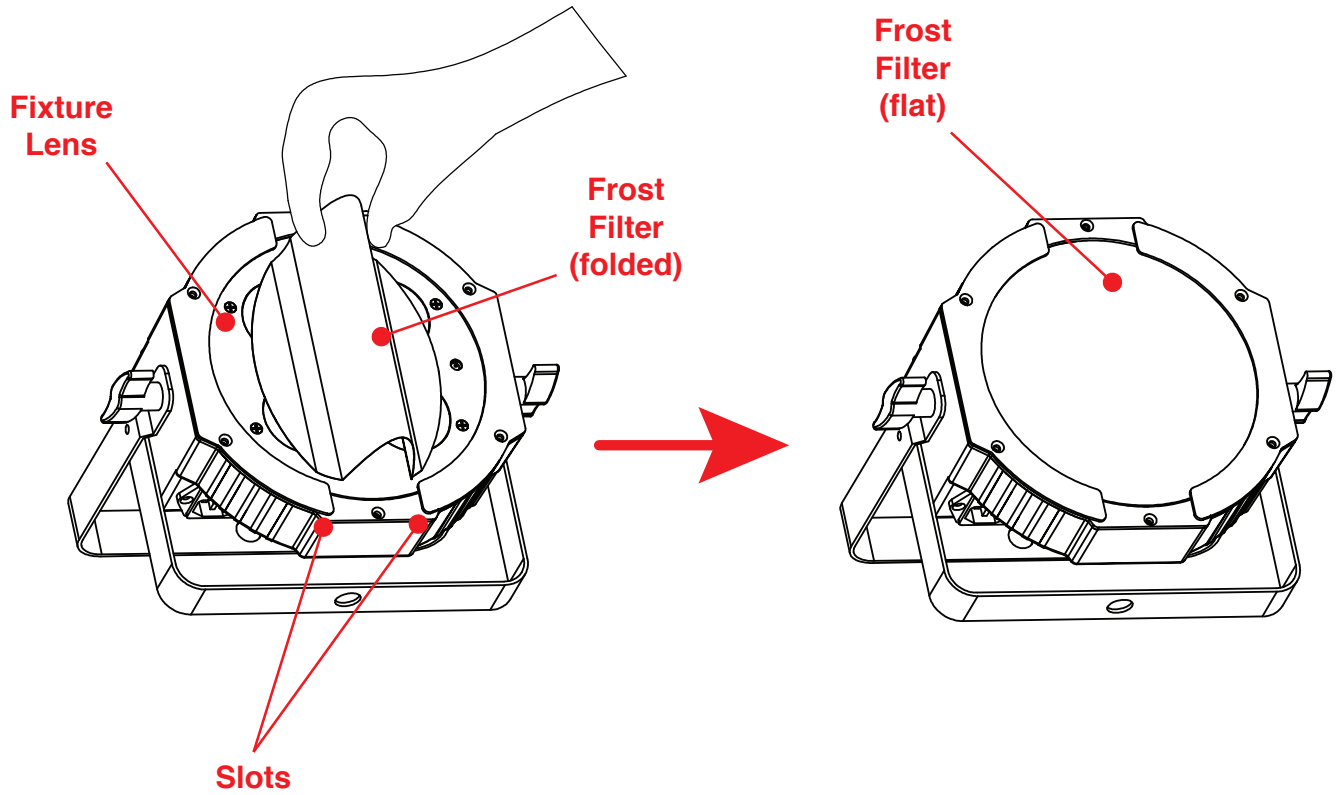
DO NOT EXPOSE THE FIXTURE AND/OR FRONT LENS OPENING TO LIGHT BEAMS FROM DIRECT SUNLIGHT, OTHER LIGHTING MOVING HEAD FIXTURES, AND LASERS WHILE UNPACKING, INSTALLATION, USE, AND EXTENDED IDLE TIMES OUTDOORS. DO NOT FOCUS A LIGHT BEAM FROM ONE LIGHTING FIXTURE DIRECTLY TOWARDS ANOTHER.



ACCESSORY INSTALLATION

FROST FILTER

To install the optional frost filter, pinch the filter in the middle, being careful not to create creases. Guide the edges of the filter into the slots on either side of the fixture's lens, then slowly release the filter and allow it to unfold until it sits flat against the fixture lens.



IR REMOTE

The unit can only be controlled when it has been set to **Primary mode**. The unit will **NOT respond to commands** when it has been set to **Secondary mode**. When using the remote to control multiple units that are operating in primary/secondary mode, follow these steps to set up the units:

1. Power on the unit, and press MODE to scroll to the “Personality” menu.
2. Press SETUP, then use the UP and DOWN buttons to scroll to “Prim/Sec Mode”, and press SETUP to select this sub-menu.
3. Use the UP and DOWN key to toggle between “Primary” and “Secondary”. Press SETUP to confirm and return to the “Personality” menu.
4. Use UP and DOWN to scroll to “IR Remote” and press SETUP to select this sub menu. Use UP and DOWN to switch this setting ON. Repeat these steps for each unit.

NOTES:

- Only one unit should be configured as the primary, while all the other units should be configured as secondaries.
- All units should be set to the same DMX channel mode.
- If fixtures fail to sync, verify that all settings mentioned above are the same, then power all devices off, then switch them on again to re-establish the link.

UC IR24 CONTROLS

- **On:** Fixture turns on and reverts to the last running state
- **Off:** Fixture goes into stand by mode in a blackout state.
- **Strobe:** Activates strobe mode. The strobe rate can be adjusted using the + / - buttons, or a pre-set strobe speed can be directly accessed using the number buttons (1-15). 1 is the slowest strobe speed, and 15 is fastest.
- **Sound:** The unit plays the last selected program based on sound inputs. Microphone sensitivity can be adjusted using the + / - buttons.
- **Color:** Activates color mode. Select a static color (0-15) using the number keys. The intensity for the set color can then be adjusted with the + / - buttons.
- **Program:** Activates program mode. Select an internal program (0-15) using the number keys. The selected program run speed can be adjusted with the + / - buttons. *Note: only buttons 0-13 will activate a program for this unit.*
- **+ and - buttons:** Adjusts strobe rate, mic sensitivity, intensity, or program run speed. The +/- buttons can be repeatedly pressed to increase or decrease by individual level increments, or pressed and held to quickly make large adjustments at once.
- **Number Keys (0-15):** These buttons are used to select preset static colors and internal programs. Colors stored in the number keys can be edited from the units menu if desired.



IR REMOTE

REMOTE BUTTON COLOR ASSIGNMENT

The number keys (0-15) on the UC IR24 remote can each be programmed with a specialized color mix. The default factory color programs that are assigned to these keys are shown in the table below.

DEFAULT REMOTE BUTTON COLOR VALUES						
BUTTON	RED	GREEN	BLUE	LIME	AMBER	UV
0	0	0	0	255	0	0
1	255	0	0	0	0	0
2	0	255	0	0	0	0
3	0	0	255	0	0	0
4	231	68	0	0	0	0
5	0	117	58	0	0	0
6	17	0	75	0	0	44
7	255	83	0	0	63	0
8	0	109	70	0	0	0
9	32	0	75	0	22	35
10	0	0	0	0	255	0
11	0	114	160	0	0	0
12	82	0	35	0	0	74
13	255	255	0	0	255	0
14	0	75	136	0	0	0
15	81	0	35	0	0	115

These values can also be edited by the user by following the steps below:

1. Press MODE to scroll to the "Personality" menu, and press SETUP to select this sub-menu.
2. Use the UP and DOWN buttons to scroll to "IR Button Colors", and press SETUP to select this option.
3. Use the UP and DOWN key to scroll to the number of the button you wish to edit, then press SETUP to select.
4. Use UP and DOWN to scroll to a color component, press SETUP to select the color component shown, and then use UP and DOWN to scroll to the desired intensity value. Press SETUP to confirm, and repeat for each color component until you achieve your desired color mix.
5. Repeat steps 3 and 4 for any other remote button color you wish to edit.
6. To return these color assignments to the factory settings, navigate to Personality > Service, enter the passcode, select Factory Restore, and select YES. Press SETUP to confirm.

REMOTE DEVICE MANAGEMENT (RDM)

NOTE: In order for RDM to work properly, RDM enabled equipment must be used throughout the entire system, including DMX data splitters and wireless systems.

Remote Device Management (RDM) is a protocol that sits on top of the DMX512 data standard for lighting, and allows the DMX systems of the fixtures to be modified and monitored remotely. This protocol is ideal for instances in which a unit is installed in a location that is not easily accessible.

With RDM, the DMX512 system becomes bi-directional, allowing a compatible RDM enabled controller to send out a signal to devices on the wire, as well as allowing the fixture to respond (known as a GET command). The controller can then use its SET command to modify settings that would typically have to be changed or viewed directly via the unit's display screen, including the DMX Address, DMX Channel Mode, and Temperature Sensors.

FIXTURE RDM INFORMATION:

Device ID	Device Model ID	RDM Code	Personality ID
0000-FFFF	96DC	1900	6Ch (1) 8Ch (2) 9Ch (3) 12Ch (4) 14Ch (5) 15Ch (6) 17Ch (7)

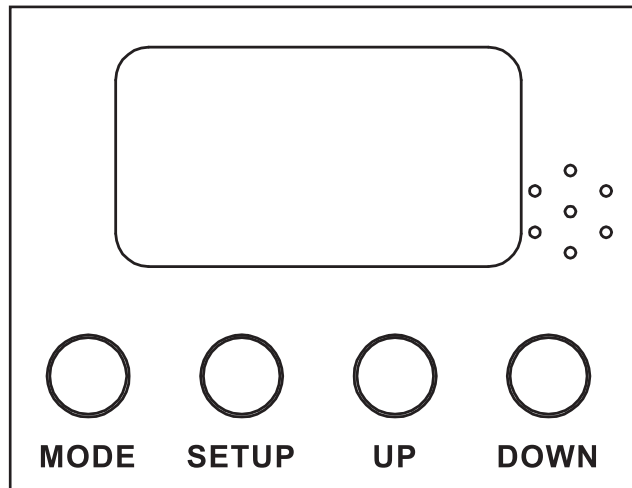
Please be aware that **not all RDM devices support all RDM features**, and therefore it is important to check beforehand to ensure that the equipment that you are considering includes all of the features that you require.

The following parameters are accessible in RDM on this device:

[0x0001] Disc Unique Branch	[0x00E0] DMX Personality
[0x0002] Disc Mute	[0x00F0] DMX Start Address
[0x0003] Disc Un Mute	[0x0201] Sensor Value
[0x0050] Supported Parameters	[0x0343] Curve
[0x0060] Device Info	[0x0344] Curve Description
[0x0081] Manufacturer Label	[0x1000] Identify Device
[0x0082] Device Label	[0x0141] DMX Fail Mode
[0x00C0] Software Version Label	

SYSTEM MENU

The fixture includes an easy to navigate system menu. The control panel located on the front of the fixture, provides access to the main system menu and is where all necessary system adjustments are made to the fixture. During normal operation, pressing **MODE** button once will access the fixture's main menu. Once in the main menu you can navigate through the different functions and access the sub-menus with the **UP** and **DOWN** buttons. Once you reach a field that requires adjusting, press the **SETUP** button to activate that field and use the **UP** and **DOWN** buttons to adjust the field. Pressing the **SETUP** button once more will confirm your setting. You may exit the main menu at any time without making any adjustments by pressing the **MODE** button.



TOUCH SCREEN LOCK

This function allows the user to configure whether or not the display screen and control panel keys will lock after a certain period of inactivity. It can be accessed by navigating to Personality > Display > Touch Screen Lock in the system menu. To unlock the screen, press and hold anywhere on the touch screen for at least 3 seconds.

SERVICE PORT / SOFTWARE UPDATES

Please contact ADJ customer support or latest software and updating instructions.

SYSTEM MENU

DMX SETTINGS	Address	001 - 496		Set DMX starting address
	Channel Mode	6ch		Select DMX channel mode
		8ch		
		9ch		
		12ch		
		14ch		
		15ch		
		17ch		
	No DMX Status	Hold Last		Unit holds channels at the last values received when DMX signal is lost
		Blackout		Unit takes all channels to 0 when DMX signal is lost
Manual Settings		Unit takes all channels to last manual settings when DMX signal is lost		
Internal Programs		Unit takes all channels to last set internal program when DMX signal is lost		
PERSONALITY	Prim/Sec Mode	Primary / Secondary		Set unit to run as primary or secondary
	Dim Mode	Standard		Select dim mode
		Stage		
		TV		
		Architectural		
		Theatre		
		Stage 2		
		Dim Speed	00 - 99	
	Dim Curve	Square		Select dim curve
Linear				
Inv. Squa				
S. Curve				

CONTINUED ON NEXT PAGE

SYSTEM MENU

PERSONALITY (continued)	RMD	On / Off		Activate/deactivate RDM		
	Display	Saver Delay	Off, 1sec - 10sec		Screen will shut off after selected period of inactivity	
		Screen Lock	Off, 30sec , 2min - 10min		Screen locks after selected period of inactivity; to unlock, press and hold screen for 3sec	
		Rotate Display 180°	Yes / No		Invert display orientation	
	Language	Passcode (050)	English / Spanish		Select language	
	IR Remote	On / Off			Activate/deactivate IR control function	
	IR Button Colors	Button 0	Red	000 - 255		Manually set color settings for each IR color button; see UC IR Control section of this manual
			Green	000 - 255		
			Blue	000 - 255		
			Lime	000 - 255		
			Amber	000 - 255		
			UV	000 - 255		
		Button 1	Red	000 - 255		
			Green	000 - 255		
			Blue	000 - 255		
Lime			000 - 255			
Amber			000 - 255			
UV			000 - 255			
...				
Button 15		Red	000 - 255			
		Green	000 - 255			
	Blue	000 - 255				
	Lime	000 - 255				
	Amber	000 - 255				
	UV	000 - 255				
Service	Passcode (011)	Factory Restore	Yes / No	Restore unit to factory default settings		

CONTINUED ON NEXT PAGE

SYSTEM MENU

MANUAL CONTROL	Red	000 - 255		Manually set each parameter	
	Green	000 - 255			
	Blue	000 - 255			
	Lime	000 - 255			
	Amber	000 - 255			
	UV	000 - 255			
	Color Macros	000 - 063			
	Color Temp Linear	No Function, 2300K - 9900K			
	Color Temp Presets	No Function, 2300K, 2600K, 2800K, 3100K, 3400K, 3800K, 4100K, 4500K, 4900K, 5500K, 6000K, 7000K, 8000K, 9000K, 9900K			
	Strobe	000 - 255			
	Master Dimmer	000 - 255			
INTERNAL PROGRAMS	Program 0	Speed	001 - 255		Program speed, slow to fast
		Fade	000 - 255		Program fade, from no fade to maximum fade
		Sound	On / Off	01 - 16	
	Program 1	Speed	001 - 255		Program speed, slow to fast
		Fade	000 - 255		Program fade, from no fade to maximum fade
		Sound	On / Off	01 - 16	
	
	Program 13	Speed	001 - 255		Program speed, slow to fast
		Fade	000 - 255		Program fade, from no fade to maximum fade
		Sound	On / Off	01 - 16	
	INFORMATION	LED Temperature	xxx F / xxx C		Show temperature
		RDM UID	xxxxxx		Show RDM UID
		Software Version	x.xx		Show current software version

OPERATION MODES

This device features 5 different operation modes which can be selected from the main system menu. These are easily configured and operated from the included UC IR24 remote, or in some cases the display screen and its control buttons. Follow the directions below to set up and operate each mode.

AUTO RUN MODE: The unit will cycle through a set of 14 pre-set internal programs (Program 0, plus Program 1 to Program 13). Speed, fade, and sound reaction are adjustable.

Display Screen Control:

1. From the main system menu, press UP and DOWN to navigate to “Internal Programs”, then press SETUP.
2. Use the UP and DOWN buttons to scroll through the program options, from Program 0 through Program 13. Press SETUP to select the desired program.
3. Use the UP and DOWN button to scroll to “Speed” and select the speed at which the unit will cycle through the steps of the selected program. 1 is the slowest, and 255 is the fastest.
4. Use the UP and DOWN button to scroll to “Fade” and select how gradually you want the unit each step of the selected program to fade in and out. 0 has no fade at all, 1 has a least fade, and 255 has the most. Please note that sound reaction, if activated, overrides the fade.
5. Use the UP and DOWN button to scroll to “Sound” and toggle this setting off.

Remote Control:

1. Press the PROGRAM button on the remote to enter Auto Run mode.
2. Use the number buttons to select your desired program. Please note that only buttons 0 to 13 will select a valid program.
3. Use the + and - buttons to adjust the program speed. The buttons can be repeatedly pressed to change the speed in increments, or they can be held down to make large adjustments.

SOUND ACTIVE MODE: The unit will cycle through the steps of the selected program according to inputs from the built-in microphone.

Display Screen Control:

1. From the main system menu, press UP and DOWN to navigate to “Internal Programs”, then press SETUP.
2. Use the UP and DOWN buttons to scroll through the program options, from Program 0 through Program 13. Press SETUP to select the desired program.
3. Use the UP and DOWN buttons to select “Sound” and press SETUP to select this option. (Please note that the “Speed” and “Fade” options can be ignored, as they will be overridden when Sound is switched on). Use the UP and DOWN buttons to toggle this setting ON, and press SETUP.
4. Use the UP and DOWN to scroll to the desired sound sensitivity number, then press SETUP to confirm.

Remote Control:

1. Press the SOUND button on the remote to enter Sound Active mode.
2. Use the + and - buttons to adjust the sound sensitivity level. The buttons can be repeatedly pressed to change the speed in increments, or they can be held down to make large adjustments.

OPERATION MODES

RGBLA + UV DIMMER MODE: The unit displays a single, custom mixed static color.

Display Screen Control:

1. From the main system menu, press UP and DOWN to navigate to “Manual Control”, then press SETUP.
2. Use the UP and DOWN buttons to scroll through the following menu options: Red, Green, Blue, Lime, Amber, UV, and Master Dimmer. Press SETUP to select the desired option.
3. Use the UP and DOWN button to select the desired value for the selected option, then press SETUP to confirm. Selectable values range from 000 to 255.
4. Repeat steps 2 and 3 for each menu option. The unit should now steadily display the color mix that you have created.

Remote Control:

1. Press the COLOR button on the remote to enter Color mode.
2. Use the number buttons to select one of the pre-loaded default color settings. See the **IR Remote** section of this manual for detailed info on these default settings.
3. Alternately, you can create a custom color mix for one of more of the number buttons. See the **IR Remote** section for the detailed procedure on creating custom values.
4. Use the + and - buttons to adjust the intensity of the displayed color. The buttons can be repeatedly pressed to change the speed in increments, or they can be held down to make large adjustments.

STATIC COLOR MODE: The unit will display a single pre-programmed color macro. Only available using Display Screen control.

1. From the main system menu, press UP and DOWN to navigate to “Manual Control”, then press SETUP.
2. Use the UP and DOWN buttons to scroll to the “Color Macros” option, then press SETUP.
3. Use the UP and DOWN buttons to set the “Color Macros” to the desired value. Refer to the **Color Macros Chart** section of this manual for information about which colors are represented by each value. Press SETUP to confirm.

OPERATION MODES

DMX CONTROL MODE: Control the unit using a DMX controller. Only available from Display Screen Control.

1. Use a DMX cable to connect the output port of your DMX controller to the DMX Input port of your first fixture. If multiple units will be running off the controller, then connect the DMX Output port of your first fixture to the DMX Input port of the next fixture, continuing until all fixtures are daisy-chained together via their DMX Input and Output ports. Refer to the **DMX Setup** section of this manual for detailed information about DMX connections.
2. From the main system menu, press UP and DOWN to navigate to “DMX Settings”, then press SETUP.
3. Use the UP and DOWN buttons to scroll to the “Address” option, then scroll to the desired channel and press SETUP to confirm. This channel represents the channel at which the fixture will begin to listen to the DMX signal.
 - If you want all of your fixtures to react in the same way, then all fixtures should be set to the same DMX starting address.
 - If you want each of your fixtures to react differently, then each fixture’s DMX address that is spaced apart from the previous fixture’s DMX address by the number of DMX channels that the fixtures have been set to run. For example, when running in a mode with 6 DMX channels, unit addresses should be set to 1, 7, 13, 19, etc.

For detailed information, please refer to the **DMX Setup** section of this manual.

4. Use the UP and DOWN buttons to scroll to the “Channel Mode” option, and select the DMX channel mode that you would like the fixture to operate in. Press SETUP to confirm. Please refer to the **DMX Traits** section of this manual for detailed information.
5. Use the UP and DOWN buttons to scroll to the “No DMX Status” option, then press SETUP to select. Use the UP and DOWN buttons to select the option for how you would like the unit to behave when DMX signal is lost or interrupted, then press SETUP to confirm. Please refer to the **System Menu** section for detailed descriptions of each option.

PRIMARY-SECONDARY SET UP

This function allows you to link units together to run in a Primary-Secondary set-up, in which one unit will act as the controlling unit and the others will react to the controlling unit's built-in programs. Any unit can be configured to act as a Primary or as a Secondary, but only one unit in a given system can be programmed to act as the Primary.

Primary-Secondary Connections and Settings:

1. Daisy chain your units via the XLR connectors on the rear panels of each unit. Use standard XLR data cables to link your units together. Remember that the male XLR connector is the input and the female XLR connector is the output. The first unit in the chain (primary) will use the female XLR connector only. The last unit in the chain will use the male XLR connector only.
2. Use the display screen and control panel to navigate to the Personality > Prim/Sec Mode, and press ENTER.
3. The fixture can be set to Primary or Secondary. Select one or the other, depending on which mode you would like the current fixture to use.
4. Make sure that only one unit is designated as the Primary, while all other units are designated as Secondaries.
5. The secondary units will act in conjunction with the primary unit.

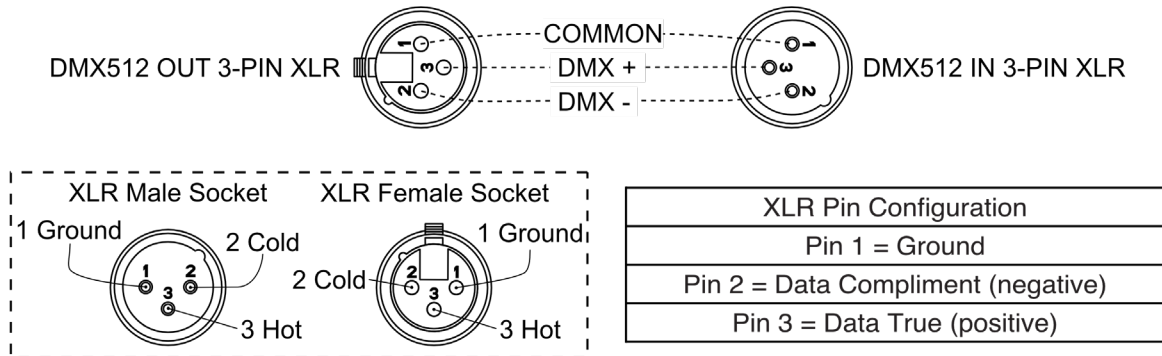
DMX SETUP

DMX-512: DMX is short for Digital Multiplex. This is a universal protocol used as a form of communication between intelligent fixtures and controllers. A DMX controller sends DMX data instructions from the controller to the fixture. DMX data is sent as serial data that travels from fixture to fixture via the DATA “IN” and DATA “OUT” XLR terminals located on all DMX fixtures (most controllers only have a DATA “OUT” terminal).

DMX Linking: DMX is a language allowing all makes and models of different manufacturers to be linked together and operate from a single controller, as long as all fixtures and the controller are DMX compliant. To ensure proper DMX data transmission, try to use the shortest cable path possible when linking several DMX fixtures. The order in which fixtures are connected in a DMX line does not influence the DMX addressing. For example, a fixture assigned a DMX address of 1 may be placed anywhere in a DMX line: at the beginning, at the end, or anywhere in the middle. When a fixture is assigned a DMX address of 1, the DMX controller knows to send DATA assigned to address 1 to that unit, no matter where it is located in the DMX chain.

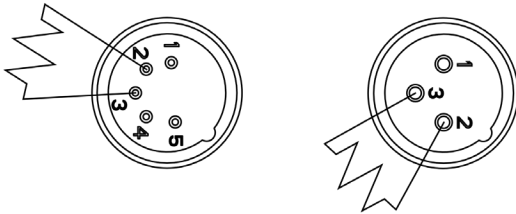
Data Cable (DMX Cable) Requirements (For DMX Operation): This unit can be controlled via DMX-512 protocol. Your unit and your DMX controller requires a 3-pin XLR connector for data input/output. We recommend Accu-Cable DMX cables. If you are making your own cables, be sure to use standard 110-120 Ohm shielded cable (This cable may be purchased at almost all pro lighting stores). Your cables should be made with a male XLR connector on one end and a female XLR connector on the other. Also remember that DMX cable must be daisy chained and cannot be split.

Notice: Be sure to the figures below when making your own cables. Do not use the ground lug on the XLR connector. Do not connect the cable’s shield conductor to the ground lug or allow the shield conductor to come in contact with the XLR’s outer casing. Grounding the shield could cause a short circuit and erratic behavior.



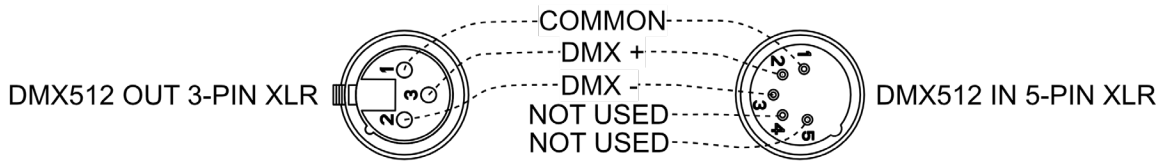
DMX SETUP

Special Note: Line Termination. When longer runs of cable are used, you may need to use a terminator on the last unit to avoid erratic behavior. A terminator is a 110-120 ohm 1/4 watt resistor which is connected between pins 2 and 3 of a male XLR connector (DATA + and DATA -). This unit is inserted in the female XLR connector of the last unit in your daisy chain to terminate the line. Using a cable terminator (ADJ part number Z-DMX/T) will decrease the possibilities of erratic behavior.



A DMX512 terminator reduces signal errors, avoiding most signal reflection interference. Connect PIN 2 (DMX-) and PIN 3 (DMX+) of the last fixture in series with a 120 Ohm, 1/4 W Resistor to terminate the DMX512.

5-Pin XLR DMX Connectors: Some manufacturers use 5-pin DMX-512 data cables for DATA transmission in place of 3-pin. 5-pin DMX fixtures may be integrated into a 3-pin DMX line with a 5-pin to 3-pin adapter cable. These adapters are readily available at most electronics stores. Follow the chart below for a proper conversion.



3-Pin XLR to 5-Pin XLR Conversion		
Ground/Shield	Pin 1	Pin 1
Data Compliment (- signal)	Pin 2	Pin 2
Data True (+ signal)	Pin 3	Pin 3
Not Used		Do Not Use
Not Used		Do Not Use

DMX SETUP

DMX Addressing:

All fixtures should be given a DMX starting address when using a DMX controller, in order to ensure that the correct fixture responds to the correct control signal. This digital starting address is the channel number from which the fixture starts to “listen” to the digital control signal sent out from the DMX controller. The assignment of this starting DMX address is achieved by setting the correct DMX address on the digital control display on the fixture.

You can set the same starting address for all fixtures or a group of fixtures, or set different addresses for each individual fixture. Setting all fixtures to the same DMX address will cause all fixtures to react in the same way; in other words, changing the settings of one channel will affect all the fixtures simultaneously.

If you set each fixture to a different DMX address, each unit will start to “listen” to the channel number you have set, based on the quantity of DMX channels of each fixture. That means changing the settings of one channel will only affect the selected fixture. For instance, when this unit is set to 6 Channel mode, you should set the starting DMX address of the first unit to 1, the second unit to 7 (1 + 6), the third unit to 13 (1 + 6 + 6), the fourth unit to 19 (1 + 6 + 6 + 6), etc...

Channel Mode	Unit 1 Address	Unit 2 Address	Unit 3 Address	Unit 4 Address
6Ch	1	7	13	19
8Ch	1	9	17	25
9Ch	1	10	19	28
12Ch	1	13	25	37
14Ch	1	15	29	43
15Ch	1	16	31	46
17Ch	1	18	35	52

DMX TRAITS

CHANNEL							DMX VALUES	FUNCTION				
6Ch	8Ch	9Ch	12Ch	14Ch	15Ch	17Ch						
1	1	1	1	1	1	1	000 - 255	All Red , 0% to 100%				
2	2	2	2	2	2	2	000 - 255	All Green , 0% to 100%				
3	3	3	3	3	3	3	000 - 255	All Blue , 0% to 100%				
4	4	4	4	4	4	4	000 - 255	All Lime , 0% to 100%				
5	5	5	5	5	5	5	000 - 255	All Amber , 0% to 100%				
6	6	6	6	6	6	6	000 - 255	All UV , 0% to 100%				
			7		7	7	000 - 255	Color Macros , see Color Macros Chart section of this manual				
			8		8	8	000 - 255	Color Temperature , 2300K - 9900K Linear				
			9		9	9		White Color Temperature Presets				
									000 - 022	Open		
									023 - 099	See White Color Temperature Chart section of this manual		
									100 - 255	No function		
	7	7	10	7	10	10		Shutter, Strobe				
							000 - 031	LEDs Off				
							032 - 063	LEDs On				
							064 - 095	Strobe Effect, slow to fast				
							096 - 127	LEDs On				
							128 - 159	Pulse Effect in Sequences				
							160 - 191	LEDs On				
							192 - 223	Random Strobe Effect, slow to fast				
		224 - 255	LEDs On									
	8	8	11	8	11	11	000 - 255	Dimmer Intensity , 0% to 100%				
		9	12	9	12	12	000 - 255	Dimmer Fine				
			10	13	13	13		Auto Programs				
											000 - 010	Off
											011 - 026	Auto Program 1
											027 - 043	Auto Program 2
											044 - 060	Auto Program 3
											061 - 076	Auto Program 4
											077 - 093	Auto Program 5
											094 - 110	Auto Program 6
											111 - 126	Auto Program 7
											127 - 143	Auto Program 8
											144 - 160	Auto Program 9
											161 - 176	Auto Program 10
											177 - 193	Auto Program 11
											194 - 210	Auto Program 12
							211 - 226	Auto Program 13				
							227 - 255	No function				
			11	14	14	14	000 - 255	Auto Programs Speed , slow to fast				

CONTINUED ON NEXT PAGE

DMX TRAITS

CHANNEL							DMX VALUE	FUNCTION
6Ch	8Ch	9Ch	12Ch	14Ch	15Ch	17Ch		
				12	15	15	000 - 255	Auto Programs Fade , least to most
				13		16		Dim Mode
							000 - 020	Default to unit setting
							021 - 040	Standard
							041 - 060	Stage
							061 - 080	TV
							081 - 100	Architectural
							101 - 120	Theatre
							121 - 140	Stage 2
								Dim Speed
							141	0.1s
							142	0.2s
							143	0.3s
							144	0.4s
							145	0.5s
							146	0.6s
							147	0.7s
							148	0.8s
							149	0.9s
							150	1.0s
							151	1.5s
				152	2.0s			
				153	3.0s			
				154	4.0s			
				155	5.0s			
				156	6.0s			
				157	7.0s			
				158	8.0s			
				159	9.0s			
				160	10.0s			
					161 - 255	Default to unit setting		
				14		17		Dim Curves
							000 - 020	Square
							021 - 040	Linear
							041 - 060	Inv. Squa
							061 - 080	S. Curve
					081 - 255	No Function		

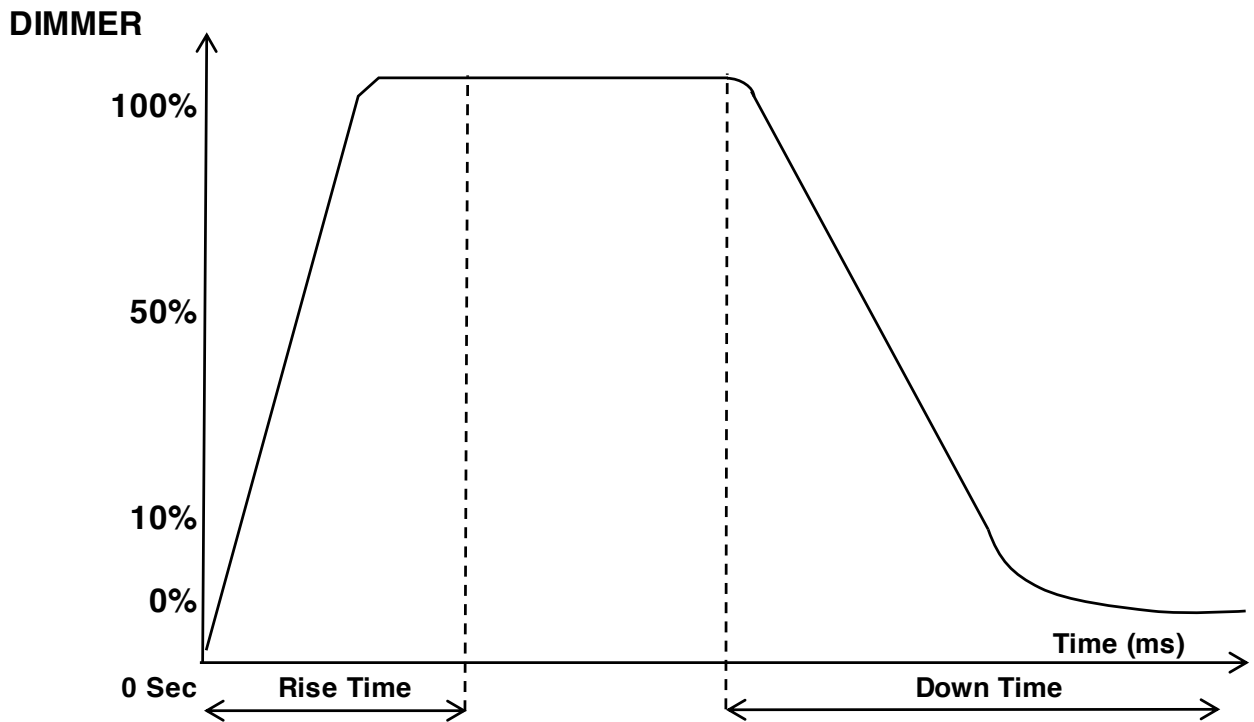
COLOR MACROS CHART

DMX VALUES	COLORS	DMX VALUES	COLORS
000 - 003	Off	128 - 131	G+B+L
004 - 007	Red	132 - 135	G+B+A
008 - 011	Green	136 - 139	G+B+UV
012 - 015	Blue	140 - 143	G+L+A
016 - 019	Lime	144 - 147	G+L+UV
020 - 023	Amber	148 - 151	G+A+UV
024 - 027	UV	152 - 155	B+L+A
028 - 031	R+G	156 - 159	B+L+UV
032 - 035	R+B	160 - 163	B+A+UV
036 - 039	R+L	164 - 167	L+A+UV
040 - 043	R+A	168 - 171	R+G+B+L
044 - 047	R+UV	172 - 175	R+G+B+A
048 - 051	G+B	176 - 179	R+G+B+UV
052 - 055	G+L	180 - 183	R+G+L+A
056 - 059	G+A	184 - 187	R+G+L+UV
060 - 063	G+UV	188 - 191	R+G+A+UV
064 - 067	B+L	192 - 195	R+B+L+A
068 - 071	B+A	196 - 199	R+B+L+UV
072 - 075	B+UV	200 - 203	R+B+A+UV
076 - 079	L+A	204 - 207	R+L+A+UV
080 - 083	L+UV	208 - 211	G+B+L+A
084 - 087	A+UV	212 - 215	G+B+L+UV
088 - 091	R+G+B	216 - 219	G+B+A+UV
092 - 095	R+G+L	220 - 223	G+L+A+UV
096 - 099	R+G+A	224 - 227	B+L+A+UV
100 - 103	R+G+UV	228 - 231	R+G+B+L+A
104 - 107	R+B+L	232 - 235	R+G+B+L+UV
108 - 111	R+B+A	236 - 239	R+G+B+A+UV
112 - 115	R+B+UV	240 - 243	R+G+L+A+UV
116 - 119	R+L+A	244 - 247	R+B+L+A+UV
120 - 123	R+L+UV	248 - 251	G+B+L+A+UV
124 - 127	R+A+UV	252 - 255	R+G+B+L++UV

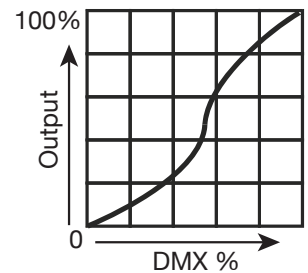
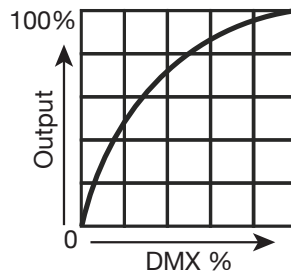
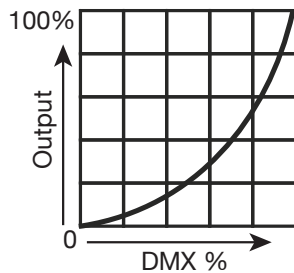
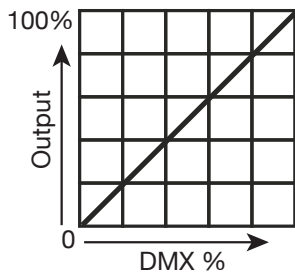
WHITE COLOR TEMPERATURE CHART

DMX VALUES	COLOR TEMP (K)	DMX VALUES	COLOR TEMP (K)
023	2300	062	6200
024	2400	063	6300
025	2500	064	6400
026	2600	065	6500
027	2700	066	6600
028	2800	067	6700
029	2900	068	6800
030	3000	069	6900
031	3100	070	7000
032	3200	071	7100
033	3300	072	7200
034	3400	073	7300
035	3500	074	7400
036	3600	075	7500
037	3700	076	7600
038	3800	077	7700
039	3900	078	7800
040	4000	079	7900
041	4100	080	8000
042	4200	081	8100
043	4300	082	8200
044	4400	083	8300
045	4500	084	8400
046	4600	085	8500
047	4700	086	8600
048	4800	087	8700
049	4900	088	8800
050	5000	089	8900
051	5100	090	9000
052	5200	091	9100
053	5300	092	9200
054	5400	093	9300
055	5500	094	9400
056	5600	095	9500
057	5700	096	9600
058	5800	097	9700
059	5900	098	9800
060	6000	099	9900
061	6100		

DIMMER CURVE



Dimming Curve Ramp Effect	0 sec Fade Time		1 sec Fade Time	
	Rise Time (ms)	Down Time (ms)	Rise Time (ms)	Down Time (ms)
Standard (default)	0	0	0	0
Stage	780	1100	1540	1660
TV	1180	1520	1860	1940
Architectural	1380	1730	2040	2120
Theatre	1580	1940	2230	2280
Stage 2	0	1100	0	1660



POWER LINKING

This feature allows multiple units to be linked together by way of the power input and output sockets. The maximum number of devices that can be connected in this manner is as follows:

- **20 units @ 120v**
- **40 units @ 230v**

After this quantity has been reached, a new power outlet must be used to accommodate additional devices.

Linked devices must be of the same make and model type. DO NOT mix devices!

CLEANING

Due to fog residue, smoke, and dust cleaning the internal and external optical lenses must be carried out periodically to optimize light output.

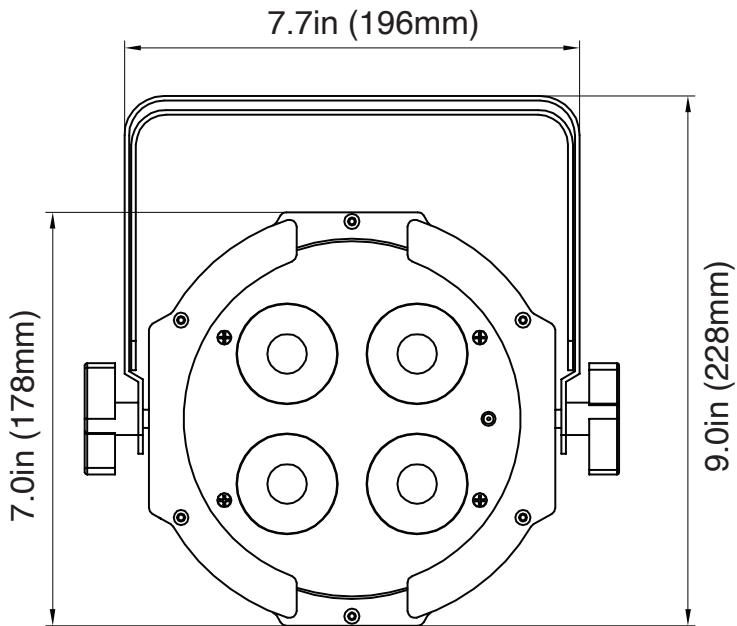
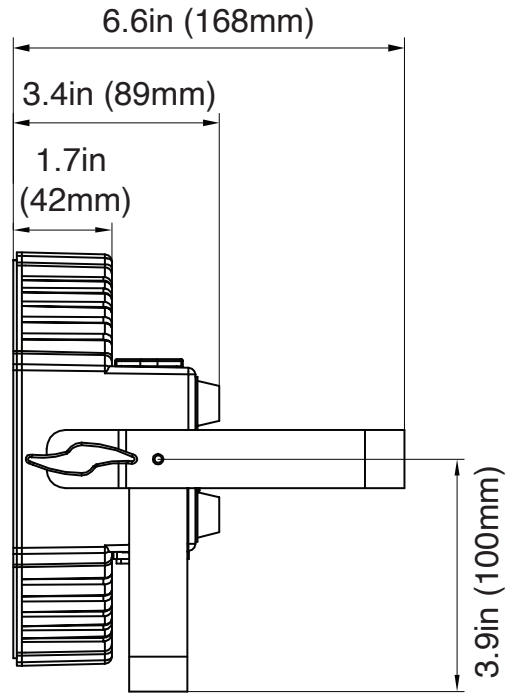
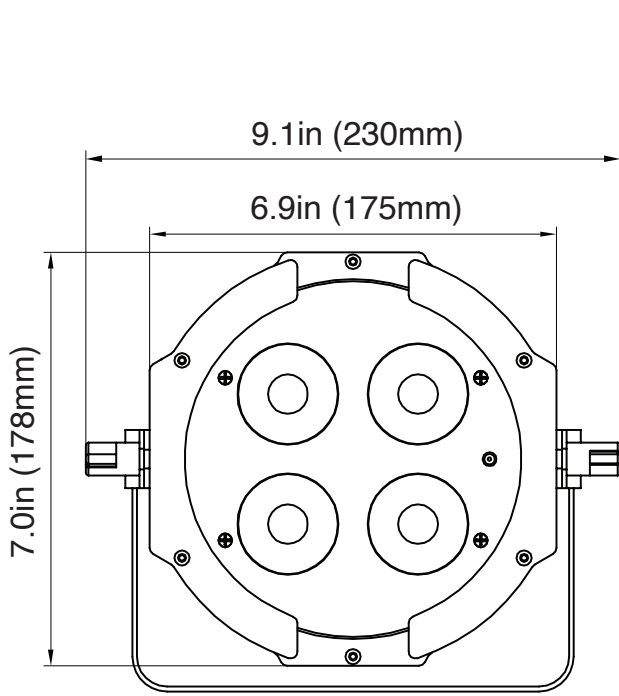
- Use normal glass cleaner and a soft cloth to wipe down the outside casing.
- Clean the external optics with glass cleaner and a soft cloth every 20 days.
- Always be sure to dry all parts completely before plugging the unit back in.

Cleaning frequency depends on the environment in which the fixture operates (i.e. smoke, fog residue, dust, dew).

SPECIFICATIONS

- Vibrant slim flat black Par with 4 x 20-Watt, 6-IN-1 Hex (RGBLA+UV) LEDs
- HEX LEDs allow for a wider pallet of colors like hot pink, lime green and electric blue
- With the newly added Lime LED chips, the unit can achieve much higher CRI, which means better light quality
- Smooth Color Mixing (fast or slow color change operation)
- Patented “sit-flat” design: Power & DMX Ins/Outs intelligently designed so the fixtures may be set flat on the ground or set inside truss
- Great as an architectural wall wash or for performance stages where traditional stage lighting emits a lot of heat onto performers
- 7 DMX Channel modes: 6, 8, 9, 12, 14, 15 an 17 channel modes
- 5 Operational modes: Auto Run Mode (14 pre-set internal programs listed as program 0 to program 13), Sound Active Mode (14 Modes), RGBLA + UV Dimmer Mode, Static Color Mode (63 Colors), and DMX Controlled
- 4-button with OLED display menu for easy navigation
- Stand Alone or Primary/Secondary Configuration
- Beam Angle: 17-degrees
- 63 built-in Color Macros
- DMX-512 protocol
- With Wired Digital Communication Network
- Color strobe effect
- Linkable via 3-pin XLR cable
- Electronic Dimming: 0-100%
- Flicker Free
- Includes a scissor yoke to hang on truss, mount on a wall or set on the ground
- Long Life LEDs (50,000 hrs.)
- Power Draw: 24W Max
- IEC AC input and out put on the side of the fixture to daisy chain the power cords (link up to 30 fixtures)
- Includes the ADJ UC IR24 wireless IR remote
- Multi-voltage operation: AC 100V-240V 50/60Hz
- Dimensions (LxWxH): 10.25”x 10.25”x 4.25”/ 261x260x110mm
- Weight: 4 lbs./ 1.87 kg.
- 20 degree filter included
- ETL Approved / FCC Approved

DIMENSIONAL DRAWINGS



FCC STATEMENT

This device complies with Part 15 of the FCC rules. Operation is subject to the following two conditions: (1) this device may not cause harmful interference, and (2) this device must accept any interference received, including interference that may cause undesired operation.

FCC RADIO FREQUENCY INTERFERENCE WARNINGS & INSTRUCTIONS

This equipment has been tested and found to comply with the limits for a class B digital device, pursuant to part 15 of the FCC Rules. These limits are designed to provide reasonable protection against harmful interference in a residential installation. This device uses and can radiate radio frequency energy, and if not installed and used in accordance with the included instructions, may cause harmful interference to radio communications. However, there is no guarantee that interference will not occur in a particular installation. If this device does cause harmful interference to radio or television reception, which can be determined by turning the device off and on, the user is encouraged to try to correct the interference by one or more of the following methods:

- Reorient or relocate that device.
- Increase the separation between the device and the receiver.
- Connect the device and the receiver to electrical outlets on separate circuits.
- Consult the dealer or an experienced radio/TV technician for help.

Please note that the changes or modifications of this product that are not expressly approved by the party responsible for compliance could void the user's authority to operate the equipment.



This page intentionally left blank.

