

# ELECTRAPIX BAR 16 PAK

User Manual

©2024 ADJ Products, LLC all rights reserved. Information, specifications, diagrams, images, and instructions herein are subject to change without notice. ADJ Products, LLC logo and identifying product names and numbers herein are trademarks of ADJ Products, LLC. Copyright protection claimed includes all forms and matters of copyrightable materials and information now allowed by statutory or judicial law or hereinafter granted. Product names used in this document may be trademarks or registered trademarks of their respective companies and are hereby acknowledged. All non-ADJ Products, LLC brands and product names are trademarks or registered trademarks of their respective companies.

**ADJ Products, LLC** and all affiliated companies hereby disclaim any and all liabilities for property, equipment, building, and electrical damages, injuries to any persons, and direct or indirect economic loss associated with the use or reliance of any information contained within this document, and/or as a result of the improper, unsafe, insufficient and negligent assembly, installation, rigging, and operation of this product.

### **ADJ PRODUCTS LLC World Headquarters**

6122 S. Eastern Ave. | Los Angeles, CA 90040 USA

Tel: 800-322-6337 | Fax: 323-582-2941 | [www.adj.com](http://www.adj.com) | [lsupport@adj.com](mailto:lsupport@adj.com)

### **ADJ Supply Europe B.V.**

Junostraat 2 | 6468 EW Kerkrade | Netherlands

Tel: +31 45 546 85 00 | Fax: +31 45 546 85 99 | [www.adj.eu](http://www.adj.eu) | [support@adj.eu](mailto:support@adj.eu)

### **Europe Energy Saving Notice**

Energy Saving Matters (EuP 2009/125/EC)

Saving electric energy is a key to help protecting the environment. Please turn off all electrical products when they are not in use. To avoid power consumption in idle mode, disconnect all electrical equipment from power when not in use. Thank you!

### **DOCUMENT VERSION**



Due to additional product features and/or enhancements, an updated version of this document may be available online.

Please check [www.adj.com](http://www.adj.com) for the latest revision/update of this manual before beginning installation and/or programming.

Date	Document Version	Software Version	DMX Channels	Notes
11/04/2024	1.0	1.0	5/6/9/13/22/24/96/99/114	Initial Release
11/14/2024	1.1	1.01	No Change	Updated System Menu

# CONTENTS

<b>General Information</b>	<b>4</b>
<b>Limited Warranty (USA Only)</b>	<b>5</b>
<b>Warranty Registration   Features</b>	<b>6</b>
<b>IP65 Rating Statement</b>	<b>7</b>
<b>Storage and Transportation</b>	<b>8</b>
<b>Safety Guidelines</b>	<b>9</b>
<b>Battery Warnings</b>	<b>12</b>
<b>Overview</b>	<b>13</b>
<b>Torque Settings for Screws</b>	<b>15</b>
<b>IP Test Parameters</b>	<b>16</b>
<b>Installation Guidelines</b>	<b>17</b>
<b>Accessory Installations</b>	<b>21</b>
<b>Frost Filter</b>	<b>21</b>
<b>Glare Shield</b>	<b>22</b>
<b>L-Track</b>	<b>23</b>
<b>VFB1 Floor Base</b>	<b>24</b>
<b>Battery Charger</b>	<b>25</b>
<b>System Menu</b>	<b>26</b>
<b>Dimmer Modes and Curves</b>	<b>31</b>
<b>Remote Control Guidelines</b>	<b>32</b>
<b>IR Default Values</b>	<b>33</b>
<b>DMX Setup</b>	<b>34</b>
<b>DMX Traits</b>	<b>36</b>
<b>Color Temperature</b>	<b>39</b>
<b>Color Macro Chart: RGBAL+UV</b>	<b>40</b>
<b>Color Macro Chart: Background</b>	<b>41</b>
<b>Pixel Flip</b>	<b>42</b>
<b>Remote Device Management (RDM)</b>	<b>43</b>
<b>Cleaning and Maintenance</b>	<b>44</b>
<b>Specifications</b>	<b>45</b>
<b>Dimensions</b>	<b>46</b>
<b>Optional Accessories   FCC Statement</b>	<b>48</b>

# GENERAL INFORMATION

## INTRODUCTION

Please read and understand the instructions in this manual carefully and thoroughly before attempting to operate this device. These instructions contain important safety and use information.

**This product is intended for use by professionally trained personnel only, and is not suitable for private use.**

**FOR SOFTWARE UPDATES, CONTACT ADJ CUSTOMER SUPPORT.**

### Unpacking

Every device has been thoroughly tested and has been shipped in perfect operating condition. Carefully check the shipping carton for damage that may have occurred during shipping. If the carton is damaged, carefully inspect the device for damage, and be sure all accessories necessary to install and operate the device have arrived intact. In the event damage has been found or parts are missing, please contact our customer support team for further instructions. Please do not return this device to your dealer without first contacting customer support. Please do not discard the shipping carton in the trash. Please recycle whenever possible.

**FOR SOFTWARE SUPPORT, CONTACT ADJ CUSTOMER SUPPORT.**

## CUSTOMER SUPPORT

Contact ADJ Service for any product related service and support needs. Also visit [forums.adj.com](https://forums.adj.com) with questions, comments or suggestions.

**ADJ SERVICE USA** - Monday - Friday 8:00am to 4:30pm PST  
323-582-2650 | Fax: 323-832-2941 | [support@adj.com](mailto:support@adj.com)

**ADJ SERVICE EUROPE** - Monday - Friday 08:30 to 17:00 CET  
+31 45 546 85 60 | Fax: +31 45 546 85 96 | [support@adj.eu](mailto:support@adj.eu)

**REPLACEMENT PARTS** please visit [parts.adj.com](https://parts.adj.com)



## IMPORTANT NOTICE!

**THERE ARE NO USER SERVICEABLE PARTS INSIDE THIS UNIT. DO NOT ATTEMPT ANY REPAIRS YOURSELF; DOING SO WILL VOID YOUR MANUFACTURER'S WARRANTY. DAMAGES RESULTING FROM MODIFICATIONS TO THIS FIXTURE AND/OR THE DISREGARD OF SAFETY INSTRUCTIONS AND GUIDELINES IN THIS MANUAL VOID THE MANUFACTURER'S WARRANTY AND ARE NOT SUBJECT TO WARRANTY CLAIMS AND/OR REPAIRS.**

# LIMITED WARRANTY (USA ONLY)

- A. ADJ Products, LLC hereby warrants, to the original purchaser, ADJ Products, LLC products to be free of manufacturing defects in material and workmanship for a prescribed period from the date of purchase (see specific warranty period on reverse). This warranty shall be valid only if the product is purchased within the United States of America, including possessions and territories. It is the owner's responsibility to establish the date and place of purchase by acceptable evidence, at the time service is sought.
- B. For warranty service, you must obtain a Return Authorization number (RA#) before sending back the product-please contact ADJ Products, LLC Service Department at 800-322-6337. Send the product only to the ADJ Products, LLC factory. All shipping charges must be pre-paid. If the requested repairs or service (including parts replacement) are within the terms of this warranty, ADJ Products, LLC will pay return shipping charges only to a designated point within the United States. If the entire instrument is sent, it must be shipped in its original package. No accessories should be shipped with the product. If any accessories are shipped with the product, ADJ Products, LLC shall have no liability whatsoever for loss of or damage to any such accessories, or for the safe return thereof.
- C. This warranty is void if the serial number has been altered or removed; if the product is modified in any manner which ADJ Products, LLC concludes, after inspection, affects the reliability of the product, if the product has been repaired or service by anyone other than ADJ Products, LLC factory unless prior written authorization was issued to purchaser by ADJ Products, LLC; if the product is damaged because not properly maintained as set forth in the instruction manual.
- D. This is not a service contract, and this warranty does not include maintenance, cleaning or periodic check up. During the period specified above, ADJ Products, LLC will replace defective parts at its expense with new or refurbished parts, and will absorb all expenses for warranty service and repair labor by reason of defects in material or workmanship. The sole responsibility of ADJ Products, LLC under this warranty shall be limited to the repair of the product, or replacement thereof, including parts, at the sole discretion of ADJ Products, LLC. All products covered by this warranty were manufactured after August 15, 2012, and bear identifying marks to that effect.
- E. ADJ Products, LLC reserves the right to make changes in design and/or improvements upon its products without any obligation to include these changes in any products theretofore manufactured.
- F. No warranty, whether expressed or implied, is given or made with respect to any accessory supplied with products described above. Except to the extent prohibited by applicable law, all implied warranties made by ADJ Products, LLC in connection with this product, including warranties of merchantability or fitness, are limited in duration to the warranty period set forth above. And no warranties, whether expressed or implied, including warranties of merchantability or fitness, shall apply to this product after said period has expired. The consumer's and/or Dealer's sole remedy shall be such repair or replacement as is expressly provided above; and under no circumstances shall ADJ Products, LLC be liable for any loss or damage, direct or consequential, arising out of the use of, or inability to use, this product.
- G. This warranty is the only written warranty applicable to ADJ Products, LLC Products and supersedes all prior warranties and written descriptions of warranty terms and conditions heretofore published.

## LIMITED WARRANTY PERIODS

- **Non L.E.D. Lighting Products = 1-year (365 days) Limited Warranty** (Such as: Special Effect Lighting, Intelligent Lighting, UV lighting, Strobes, Fog Machines, Bubble Machines, Mirror Balls, Par Cans, Trussing, Lighting Stands etc. excluding LED and lamps)
- **Laser Products = 1 Year (365 Days) Limited Warranty** (excludes laser diodes which have 6 month limited warranty)
- **L.E.D. Products = 2-year (730 days) Limited Warranty** (excluding batteries which have a 180 day limited warranty)  
Note: 2 Year Warranty only applies to purchases within the United States.
- **StarTec Series = 1 Year Limited Warranty** (excluding batteries which have a 180 day limited warranty)
- **ADJ DMX Controllers = 2 Year (730 Days) Limited Warranty**

# WARRANTY REGISTRATION

The Electrapix Bar 16 Pak carries a 2 year limited warranty. Please fill out the enclosed warranty card to validate your purchase. All returned service items, whether under warranty or not, must be freight pre-paid and accompanied by a return authorization (R.A.) number. The R.A. number must be clearly written on the outside of the return package. A brief description of the problem as well as the R.A. number must also be written down on a piece of paper included in the shipping carton. If the unit is under warranty, you must provide a copy of your proof of purchase invoice. You may obtain an R.A. number by contacting our customer support team on our customer support number. All packages returned to the service department not displaying an R.A. number on the outside of the package will be returned to the shipper.

## FEATURES

The ADJ Lighting ElectraPix Bar 16 Pak includes 4 ElectraPix Bar 16 fixtures, a flight case, charging bases, and associated cables. The ElectraPix Bar 16 is a cutting-edge, 1-Meter battery powered, wireless DMX lighting solution. Packed with advanced features, this fixture boasts sixteen 20-Watt Hex Color LED (RGBAL+UV), providing unparalleled control and creativity. Powered by either batteries or wall outlets, it offers 5 hours of standard battery operation or an extended 10-hour saver mode.

With individual pixel control, built-in foreground and background LED programs, and a variable white color temperature range, the ElectraPix Bar 16 ensures dynamic lighting possibilities. Its color-calibrated LEDs, user-selectable dim modes, and electronic strobe/dimming enhance versatility.

Designed for adaptability, the IP65-Rated housing, OLED digital display, L Track system, and adjustable feet make installation and customization a breeze. Additionally, up to two ElectraPix Bar 16 fixtures may be mounted vertically to the VFB1 floor base (sold separately). The fixture's control options include DMX512, Aria X2 Wireless DMX, Bluetooth, RDM compatibility, and an included UCIR24 wireless remote.

The ElectraPix Bar 16 guarantees reliability with certifications such as CE, FCC, and pending cETLus, while its IP65-Rating ensures durability in various environments. Included accessories like the outdoor locking power cable and UCIR24 remote, along with optional add-ons, make this fixture a comprehensive lighting solution for professionals. Elevate your lighting design with the ElectraPix Bar 16, where innovation meets performance.

### INCLUDED ITEMS:

- (4x) ElectraPix Bar 16 (Fixtures)
- (1x) ElectraPix Bar 16 FC (Flight Case)
- (4x) ElectraPix Bar 16 Charging Bases
- (1x) UC-IR24 Wireless Infrared Controller
- (4x) IP65 Locking Power Cable

# IP65 RATED

The **International Protection (IP)** rating system is commonly expressed as “**IP**” (Ingress Protection) followed by two numbers (i.e. IP65), where the numbers define the degree of protection. The first digit (Foreign Bodies Protection) indicates the extent of protection against particles entering the fixture, and the second digit (Water Protection) indicates the extent of protection against water entering the fixture. An **IP65** rated lighting fixture is designed and tested to protect against the ingress of dust (6), and low-pressure water jets from any direction (5).

**NOTE: THIS FIXTURE IS INTENDED FOR TEMPORARY OUTDOOR USE ONLY!**

**Maritime/Coastal Environment Installations:** A coastal environment is seaside adjacent, and caustic to electronics through exposure to atomized salt-water and humidity, whereas maritime is anywhere within 5-miles of a coastal environment.



**NOT suitable for maritime/coastal environment installations. Installing this fixture in a maritime/coastal environment may cause corrosion and/or excessive wear to the interior and/or exterior components of the fixture. Damages and/or performance issues resulting from installation in a maritime/coastal environment will void the manufactures warranty, and will NOT be subject to any warranty claims and/or repairs.**

Maritime installations require additional preparation, and additional service intervals may be needed given the maritime use. In general, IP ratings presuppose freshwater conditions VS maritime conditions, which are typically more “caustic” to IP fixtures (both internally and externally). A duty-cycle may also be needed when units are not in use. During times of high humidity and colder temperatures, condensation may occur internally so the fixture may require a duty-cycle to bring it up to running temperature, allowing any accumulation of moisture to be expelled via the vent valve. Recommendations can change based on installation environmental circumstances. A waterproof dome or similar device is recommended for use in permanent outdoor installations. When using a dome, refer to manufacturer recommendations for duty-cycle.

**NOTE: NOT ALL FEATURES LISTED ARE AVAILABLE ON ALL FIXTURES; THE FOLLOWING INSTRUCTIONS MAY NOT APPLY. CONTACT SUPPORT FOR ADDITIONAL DETAILS.**

**Exterior Maintenance:** Inspect the exterior every 30-days. The unit must be powered off/disconnected. Inspect optics to determine if the lens is obstructed, then clean optics and chassis accordingly. Based on initial finding, schedule maintenance accordingly, keeping in mind that exterior maintenance will be required. Even if the luminaires are NOT in use, maintenance will still be needed given its location (exterior use). The use of a durable type of wax on the chassis is recommended since it will help prevent contaminant build up. Inspect both power and data lines for any signs of contaminants or corrosion. Periodically reapplying di-electric grease, especially in coastal environments. If any signs of corrosion/contaminants are present, clean thoroughly, and/or replace connectors, then reapply di-electric grease. Typically, this should be done annually, or any time an opportunity presents itself. As a preventive measure, annual replacement of both vent valves is recommended. The vent valve membrane can become contaminated and/or clogged causing improper venting of humidity within the luminaire. Inspect all mounting hardware as a precaution.

**Interior Maintenance:** Inspect the interior every 30-days. The unit must be powered off/disconnected.

- Inspect zoom/focus mechanism, clean optics, lubricate linear bearings (Krytox oil) as needed, inspect belts for wear
- Inspect all rotating effect wheels, manually rotate them, note any resistance
- Inspect all remaining rotating belts for any wear
- Inspect all fans, clean as needed, check rotation, check connections
- Inspect CMY module, manually move flags and check for signs of resistance, and if needed, clean guide rods first, then reapply a thin layer of grease (moly lube)
- Clean interior with low-volume compressed air, then clean optics prior to reassembly of head covers

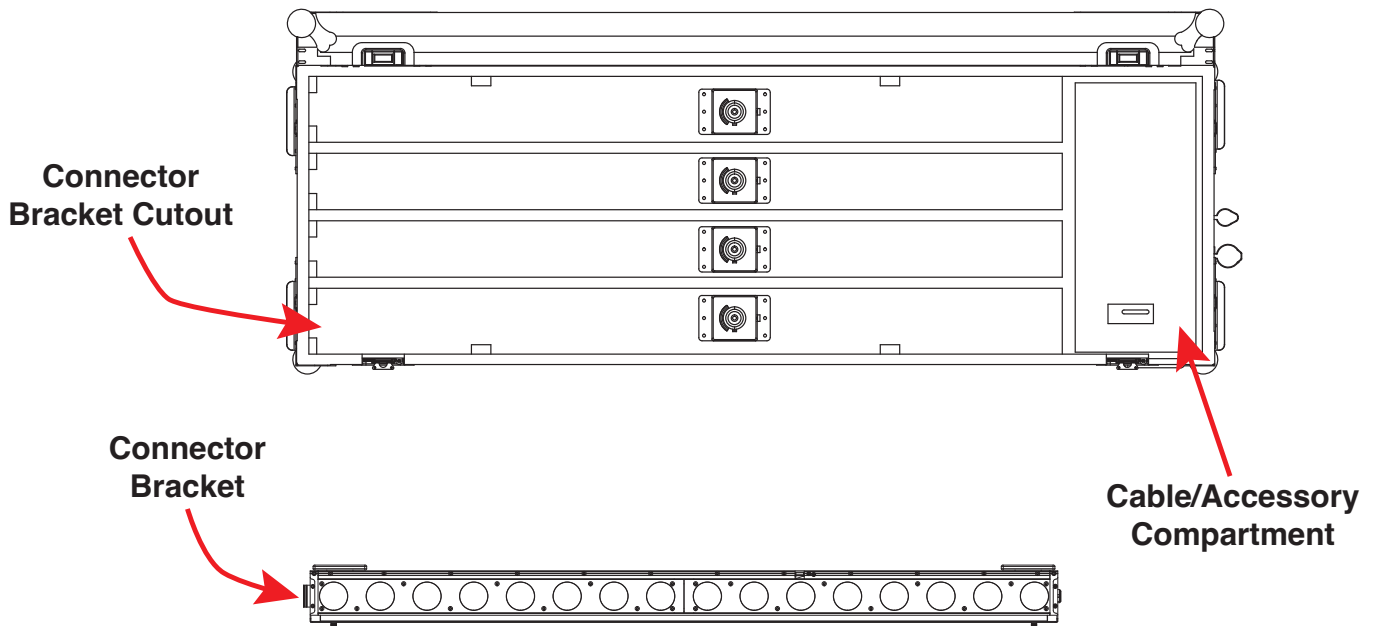
Although the base has limited moving parts, the pan belt should also be inspected for wear. Remember to always perform an IP test anytime a cover is removed.

There is no specific time frame regarding the routine replacement of parts such as belts/stepper motors, PCBs, or LEDs. These items should only be replaced on an as needed bases, except for cooling fans, which should be replaced once the luminaries reach 10,000-hours. This is a prophylactic measure intended to keep the unit running as cool as possible, insuring proper function of all internal components. A complete service breakdown is available, please contact [service@adj.com](mailto:service@adj.com) for any needed parts or manuals.

# STORAGE AND TRANSPORTATION

When storing or transporting your fixtures in the optional ADJ road case, please be sure to orient your fixtures correctly! The fixture should be oriented with the charging port facing downwards, and the protruding connector brackets on one end of the fixture should be pointing away from the cable/accessory compartment. If oriented correctly, the connector brackets should fit snugly into the foam cutouts along the edge of the road case.

**FAILURE TO ORIENT THE FIXTURES CORRECTLY MAY RESULT IN IMPACT DAMAGE TO THE CHARGER COMPONENTS, DISPLAY SCREEN, AND/OR CONTROL BUTTONS!**





# SAFETY GUIDELINES



**PROTECTION CLASS 1 - FIXTURE MUST BE PROPERLY GROUNDED.**



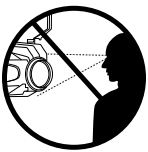
**PLEASE NOTE THAT ONLY THE FIXTURES ARE IP65 RATED! FLIGHT CASE AND CHARGING BASES ARE NOT DESIGNED FOR OUTSIDE USE OR EXPOSURE TO RAIN, WATER, OR OTHER MOISTURE!**



**THERE ARE NO USER SERVICEABLE PARTS INSIDE THIS UNIT. DO NOT ATTEMPT ANY REPAIRS YOURSELF, AS DOING SO WILL VOID YOUR MANUFACTURER'S WARRANTY. DAMAGES RESULTING FROM MODIFICATIONS TO THIS FIXTURE AND/OR THE DISREGARD OF SAFETY INSTRUCTIONS AND GUIDELINES IN THIS MANUAL VOID THE MANUFACTURER'S WARRANTY AND ARE NOT SUBJECT TO ANY WARRANTY CLAIMS AND/OR REPAIRS.**



**ALWAYS DISCONNECT THE UNIT FROM POWER BEFORE OPENING OR REMOVING THE CASE. EXERCISE CAUTION, AS SOME INTERNAL PARTS MAY RETAIN AN ELECTRICAL CHARGE EVEN AFTER THE DEVICE HAS BEEN DISCONNECTED FROM POWER!**



**NEVER LOOK DIRECTLY INTO THE LIGHT SOURCE!  
RETINA INJURY RISK - MAY INDUCE BLINDNESS!  
SENSITIVE PERSONS MAY SUFFER AN EPILEPTIC SHOCK!**

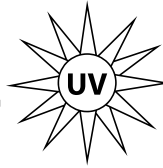
# SAFETY GUIDELINES

- **Ambient operating temperature range is -4°F to 113°F (-20°C to 45°C)!**
- **This device is not suitable for use in locations where children are likely to be present!**
- **DO NOT TOUCH** the fixture housing during operation. Disconnect the power and allow approximately 15 minutes for the fixture to cool down before servicing.
- **DO NOT** shake the fixture, and avoid brute force when installing and/or operating the fixture.
- **DO NOT** operate the fixture if the power cord has become frayed, crimped and/or damaged. If the power cord is damaged, replace immediately with a new one of the same power rating.
- **DO NOT** attempt to remove or break off the ground prong from the electrical cord. This prong is used to reduce the risk of electrical shock and fire in case of an internal short.
- **DO NOT** attempt to operate this unit if it has been damaged in any way.
- Disconnect from main power before making any type of connection.
- **DO NOT** block any air ventilation slots. All fan and air inlets must remain clean and never blocked. Allow approx. 6" (15cm) between fixture and other devices or a wall for proper cooling.
- Always be sure to mount this unit in an area that will allow proper ventilation. Allow about 6" (15cm) between this device and a wall.
- **DO NOT** remove the cover for any reason.
- When installing fixture in a suspended environment, always use mounting hardware that is no less than M10 x 25mm, and always install fixture with an appropriately rated safety cable.
- Never plug this unit in to a dimmer pack.
- During long periods of non-use, disconnect the unit's main power.
- Always mount this unit in safe and stable matter.
- Power-supply cords should be routed so that they are not likely to be walked on or pinched by items placed upon or against them, paying particular attention to the point where they exit from the unit.
- Cleaning - The fixture should be cleaned only as recommended by the manufacturer.
- Heat - The appliance should be situated away from heat sources such as radiators, heat registers, stoves, or other appliances (including amplifiers) that produce heat.
- The fixture should be serviced by qualified service personnel when:
  - A. The power-supply cord or the plug have been damaged.
  - B. Objects have fallen onto, or liquids have been spilled into, the fixture.
  - C. The fixture does not appear to operate normally or exhibits a marked change in performance.
  - D. The fixture has fallen and/or has been subjected to extreme handling.

# SAFETY GUIDELINES



**HIGH  
INTENSITY  
ULTRAVIOLET  
LIGHT**



**AVOID DIRECT EYE & SKIN EXPOSURE.  
WEAR PROPER EYE & SKIN PROTECTION.  
SEE MANUAL FOR SAFETY INSTRUCTIONS.**

**RISK GROUP 3 - RISK OF EXPOSURE TO ULTRAVIOLET UV RADIATION! FIXTURE EMITS HIGH INTENSITY WAVELENGTH OF ULTRAVIOLET UV LIGHT FROM THE UV COLOR FILTER. WEAR PROPER EYE AND SKIN PROTECTION. AVOID PROLONGED PERIODS OF EXPOSURE TO UV COLOR FILTER. AVOID WEARING WHITE COLOR CLOTHING AND/OR USING UV PAINTS ON SKIN. AVOID DIRECT EYE AND/OR SKIN EXPOSURE AT DISTANCES LESS THAN 10 feet (3m). DO NOT OPERATE FIXTURE WITH DAMAGED/MISSING EXTERNAL COVERS. DO NOT LOOK DIRECTLY INTO THE UV LIGHT AND/OR VIEW UV LIGHT DIRECTLY WITH OPTICAL INSTRUMENTS THAT MAY CONCENTRATE THE LIGHT/RADIATION OUTPUT. INDIVIDUALS SUFFERING FROM A RANGE OF EYE CONDITIONS, SUNLIGHT EXPOSURE DISORDERS, OR INDIVIDUALS USING PHOTSENSITIVE MEDICATION, MAY RECEIVE DISCOMFORT IF EXPOSED TO THE ULTRAVIOLET UV LIGHT EMITTED FROM THE UV LED.**

# BATTERY WARNINGS

## HANDLING PRECAUTIONS

**Do not short circuit the battery.** Avoid subjecting the battery to a short circuit, as doing so generates a very high current, resulting in overheating, electrolyte gel leakage, harmful fumes, explosion risk, or other damage to the battery.

**Mechanical shock.** Dropping, impacting, striking, or bending the unit, or subjecting the unit to any other types of mechanical shock may cause failure or shortend life of the battery.

**Do not disassemble the batteries.** Never disassemble the batteries, as doing so may result in an internal short circuit in the battery, leading to fire, explosion, release of harmful fumes, or other hazards. Electrolyte gel is harmful, and contact should be avoided whenever possible. Should the electrolyte gel come into contact with the skin or eyes, flush the area of contact immediately with fresh water and seek medical attention immediately.

**Do not expose battery to heat or fire.** Never incinerate or dispose of the batteries in fire, as this could result in an explosion.

**Do not exposure the battery to water or liquids.** Never expose or immerse the batteries in liquids of any type, including water, seawater, soft drinks, juices, coffee, or other beverages.

**Battery Replacement.** For battery replacement please contact customer support.

**Never use a damaged battery.** Shipping carries a risk of damage to the battery. Should damage be observed, including damage to the plastic casing of the battery, deformation of the battery package, chemical or electrolyte odor, or leakage of the electrolyte gel, or any other miscellaneous damage, **DO NOT use the battery.** A battery with a odor of electrolyte or a gel leakage should be placed away from fire to avoid risk of fire or explosion.

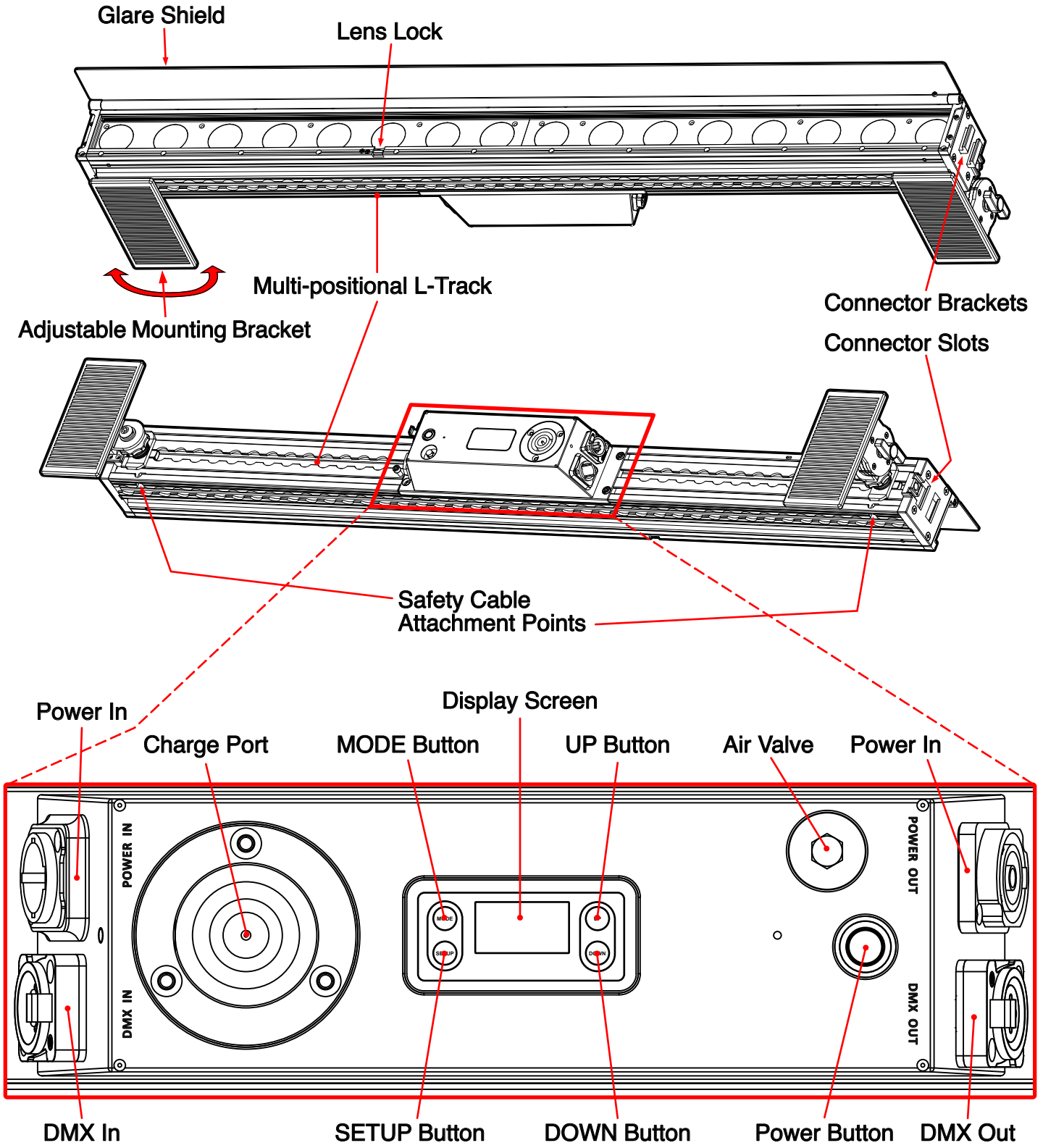
**Battery Storage.** The battery should be stored at room temperature, with a charge of at least 50%. During long periods of storage, it is recommended that the battery be charged every 6 months. Doing so will prolong the life of the battery and will also make sure that the battery charge does not fall below the 30% mark.

**Other Chemical Reactions.** Because batteries rely on a chemical reaction to work, battery performance will deteriorate over time, even if stored for a long period of time without being used. In addition, if various usage conditions (such as charge, discharge, ambient temperature, etc.) are not maintained within the specified ranges, the life expectancy of the battery maybe shortened or the device in which the battery is used may be damaged by electrolyte gel leakage. If the batteries cannot maintain a charge for long periods of time, even when they are charged correctly, this may indicate the need to replace the battery.

**Battery Disposal.** Please dispose of battery according to local regulations.

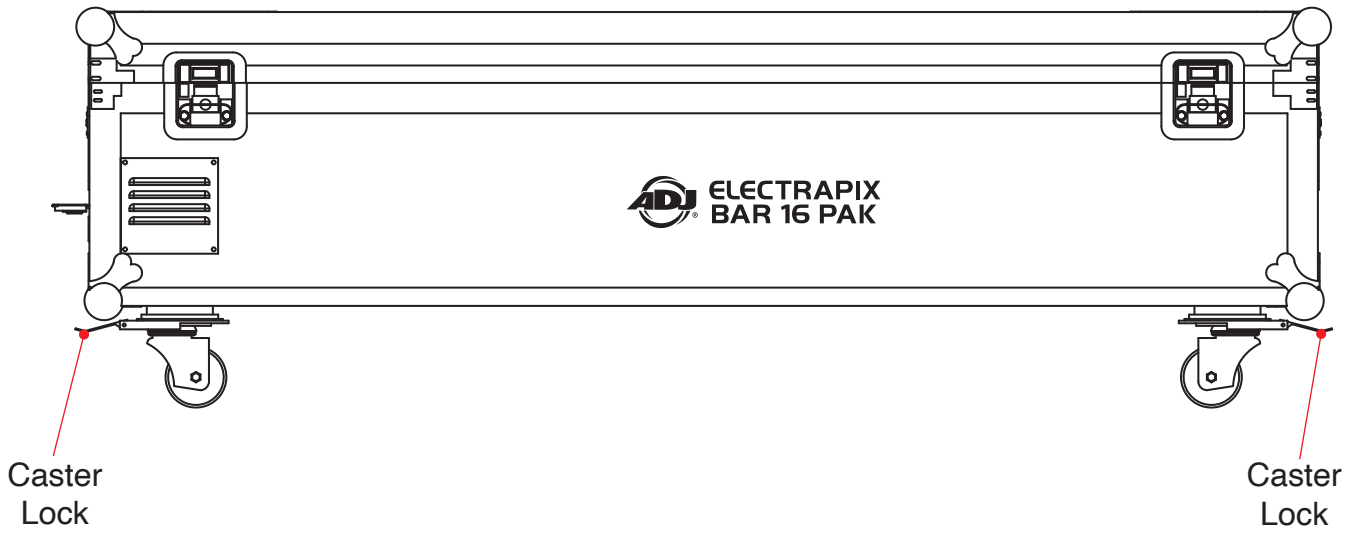
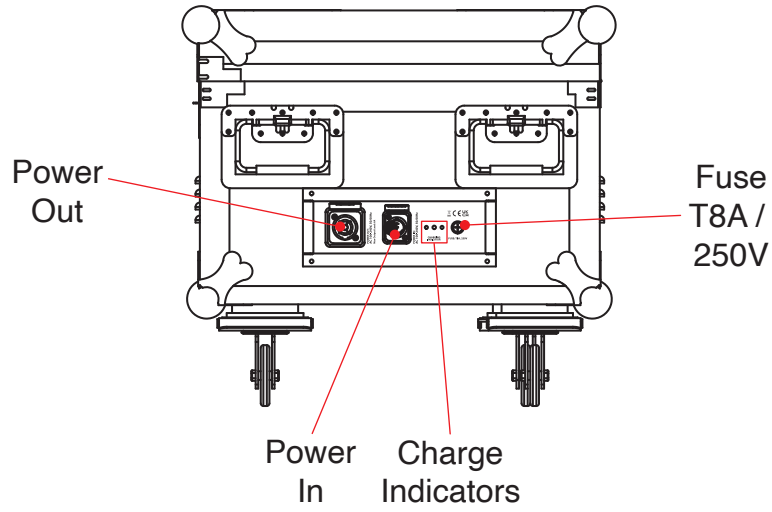
# OVERVIEW

## FIXTURE



# OVERVIEW

## FLIGHT CASE



# TORQUE SETTINGS FOR SCREWS

IN ORDER TO MAINTAIN THE IP65 RATING ON THE LIGHTING FIXTURES, ALL SCREWS MUST BE TIGHTENED TO THE FOLLOWING TORQUE SPECIFICATION USING A TORQUE DRIVER.

Refer to the table and diagram below for torque specifications.

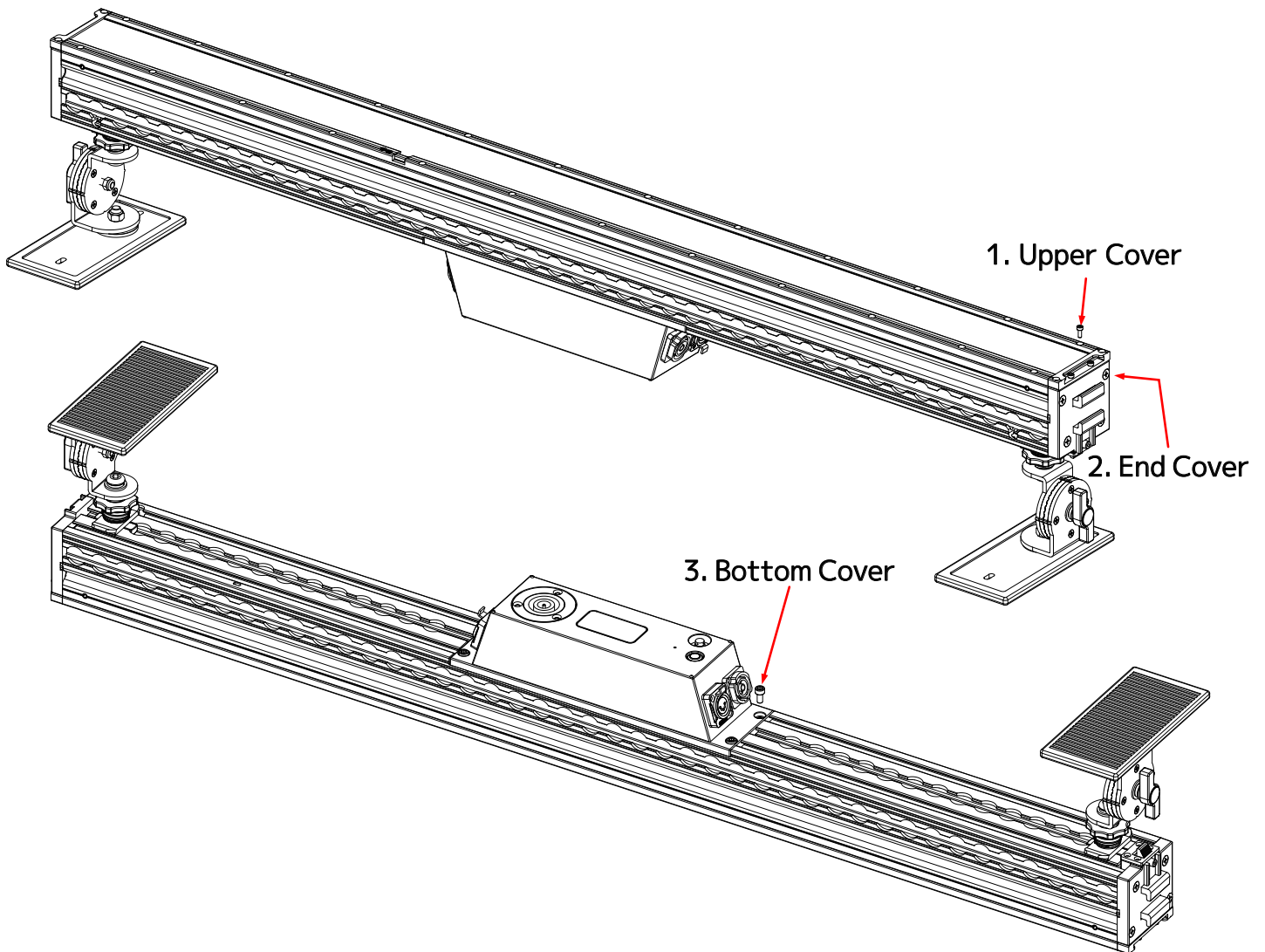
TORQUE DRIVERS (Recommended): UTICA TS-30 (shown)

ALTERNATE DRIVERS:

- Proto J6107A
- Wiha 28887



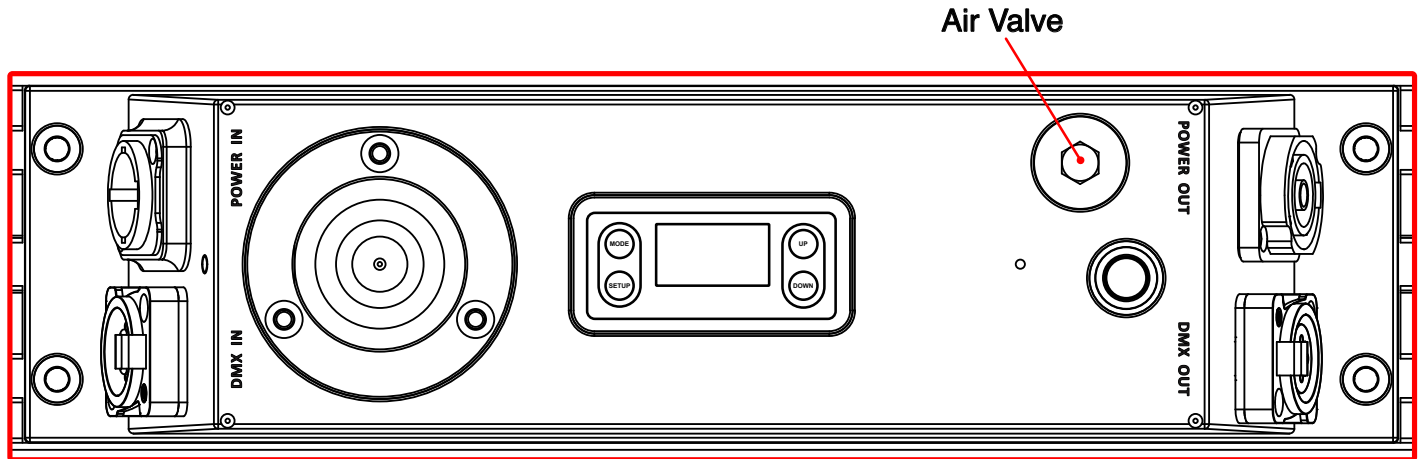
**CAUTION! DO NOT OVER TORQUE SCREWS, AS THIS CAN CAUSE LEAKAGE ISSUES!**



NO.	LOCATION	QUANTITY	TORQUE
1	Upper Cover	32	6.9 lb-in (8.0 kg-cm)
2	End Cover	8	10.4 lb-in (12.0 kg-cm)
3	Bottom Cover	4	17.4 lb-in (20.0 kg-cm)

# IP TEST PARAMETERS

Following any repair or maintenance procedure that requires disassembly of the fixture, use ADJ's Hydro IP Tester to confirm the IP integrity of the fixture. The air valve is located on the back panel next to the display screen, as shown in the diagram below. Please contact ADJ Service for information regarding the ADJ Hydro IP Tester, or visit the product information page online at: <https://www.adj.com/hydro-ip-tester>



**CAUTION! THE USE OF PROTECTIVE GLOVES AND SAFETY GOGGLES IS STRONGLY RECOMMENDED WHILE PERFORMING THE IP PRESSURE TEST! AVOID PLACING YOUR FACE, EYES, HANDS, ETC IN CLOSE PROXIMITY TO THE FIXTURE'S LENS WHILE PERFORMING THE TEST!**

**DE-HUMIDIFICATION:** IP65 fixtures operating in high-humidity environments may experience residual fogging or condensation. Such fogging will not damage the fixture, and can be removed using the following procedure: position the unit with the air valve pointing upwards, then open the air valve and run the unit for 1-2 hours after reaching operating temperature. Then, while the fixture is still hot, re-install the air valve and allow the unit to cool down. Please note that this procedure should be performed in a dry, air-conditioned environment. Avoid additional fogging by drying the fixture completely before placing into a road case.



IP PRESSURE TESTING PARAMETERS		
Low Pressure Limit	High Pressure Limit	Steady/Hold Time
1.65 psi (11.4 KPa)	1.70 psi (11.7 KPa)	3 sec



# INSTALLATION GUIDELINES



## **FLAMMABLE MATERIAL WARNING**

Keep fixture minimum 5.0 feet (1.5m) away from flammable materials and/or pyrotechnics.



## **ELECTRICAL CONNECTIONS**

A qualified electrician should be used for all electrical connections and/or installations.



**MINIMUM DISTANCE TO OBJECTS/SURFACES IS 6.6 FEET (2 METERS).**

**MINIMUM DISTANCE OF INFLAMMABLE MATERIALS FROM THE SURFACE IS 1.6 FEET (0.5 METERS).**

**THIS DEVICE IS NOT SUITABLE FOR USE IN LOCATIONS WHERE CHILDREN ARE LIKELY TO BE PRESENT!**

**DO NOT INSTALL THE FIXTURE IF YOU ARE NOT QUALIFIED TO DO SO!**

- Fixture **MUST** be installed following all local, national, and country commercial electrical and construction codes and regulations.
- Before rigging/mounting a single fixture or multiple fixtures to any metal truss/structure or placing the fixture(s) on any surface, a professional equipment installer **MUST** be consulted to determine if the metal truss/structure or surface is properly certified to safely hold the combined weight of the fixture(s), clamps, cables, and accessories.
- Maximum ambient operating temperature is **113°F (45°C)**. Do not use fixture when ambient temperature exceeds this value.
- Fixture(s) should be installed outside walking paths, seating areas, or areas where unauthorized personnel might reach the fixture by hand.
- **NEVER** stand directly below the fixture(s) when rigging, removing, or servicing.
- Overhead fixture installation must always be secured with a secondary safety attachment, such as an appropriately rated safety cable.
- Allow approximately 60 minutes for the fixture to cool down before servicing.

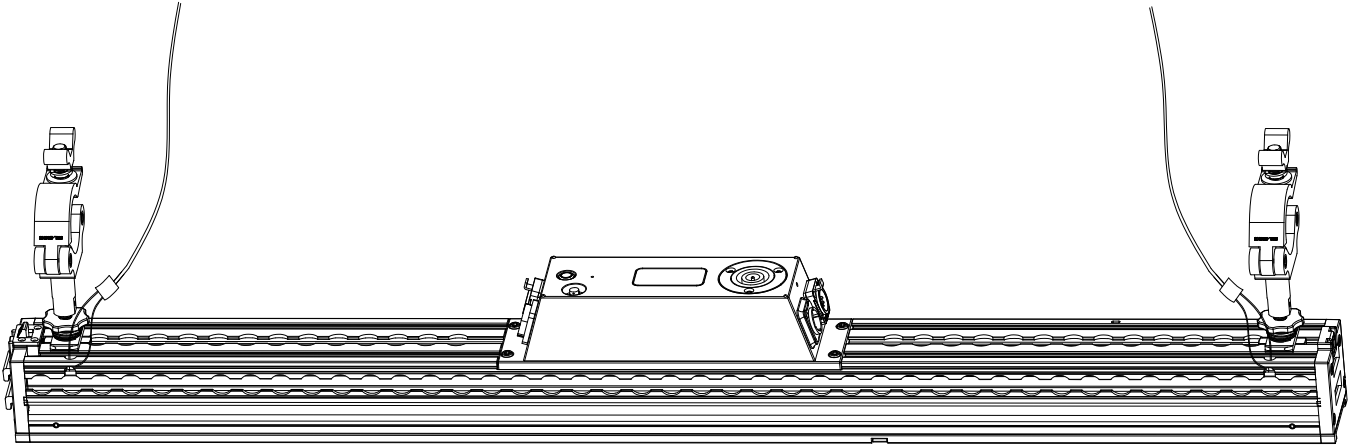
## **RIGGING**

**Overhead rigging requires extensive experience, including calculating working load limits, knowledge of installation material being used, and periodic safety inspection of all installation material and the fixture, among other skills. If you lack these qualifications, do not attempt the installation yourself. Improper installation can result in bodily injury.**

# INSTALLATION GUIDELINES

## CLAMP INSTALLATION

This fixture features brackets for the attachment of mounting clamps. There are also safety cable attachment points located on the heatsink near each endcap. When mounting the fixture to a truss or any other suspended or overhead installation, be sure to secure appropriately rated clamps (not included) to the brackets, and attach a separate SAFETY CABLE of the appropriate weight rating to a safety cable attachment point.



### SAFETY CABLE:



**ALWAYS ATTACH A SAFETY CABLE WHENEVER INSTALLING THIS FIXTURE IN A SUSPENDED ENVIRONMENT TO ENSURE THAT THE FIXTURE WILL NOT FALL IF THE CLAMPS FAIL.**

## MOVEMENT ALARM

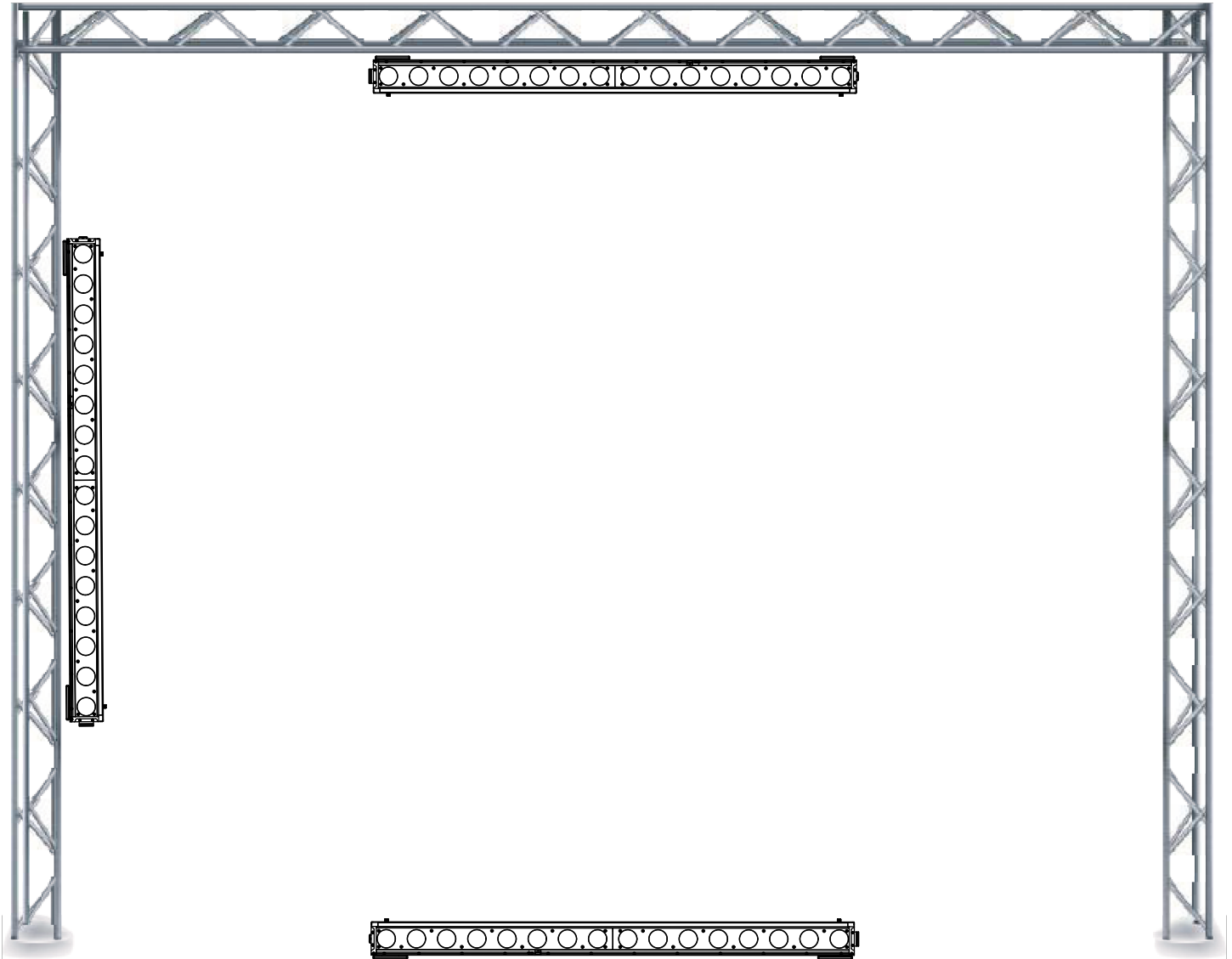
If set and activated, the alarm will be triggered by any movement of the device, including knocking over the device. The alarm will sound and the device will strobe red for the amount of time that was set in the “Alarm Time” setting, but will automatically stop when the device is returned to its place. Please be aware of this feature in the event that you decide to re-locate or re-position the device after the initial setup!

# INSTALLATION GUIDELINES

## RIGGING

Overhead rigging requires extensive experience, including among others, calculating working load limits, installation material being used, and periodic safety inspection of all installation material and the fixture. If you lack these qualifications, do not attempt the installation yourself. Improper installation can result in bodily injury.

This fixture is designed to be mounted vertically (hanging or upright), or horizontally (perpendicular to vertical axis) only.



**FALLING FIXTURES CAN CAUSE SEVERE INJURY OR SERIOUS EQUIPMENT DAMAGE! FOR THIS REASON, FIXTURES SHOULD BE INSTALLED AND INSPECTED ONLY BY QUALIFIED PERSONNEL. DO NOT INSTALL THE UNIT IF YOU LACK THE QUALIFICATIONS TO DO SO, OR IF YOU HAVE DOUBTS ABOUT THE SAFETY AND SECURITY OF THE INSTALLATION SETUP OR LOCATION!**



**ALWAYS ATTACH A SAFETY CABLE WHENEVER INSTALLING THIS FIXTURE IN A SUSPENDED ENVIRONMENT TO ENSURE THE FIXTURE WILL NOT FALL IF THE CLAMP FAILS.**

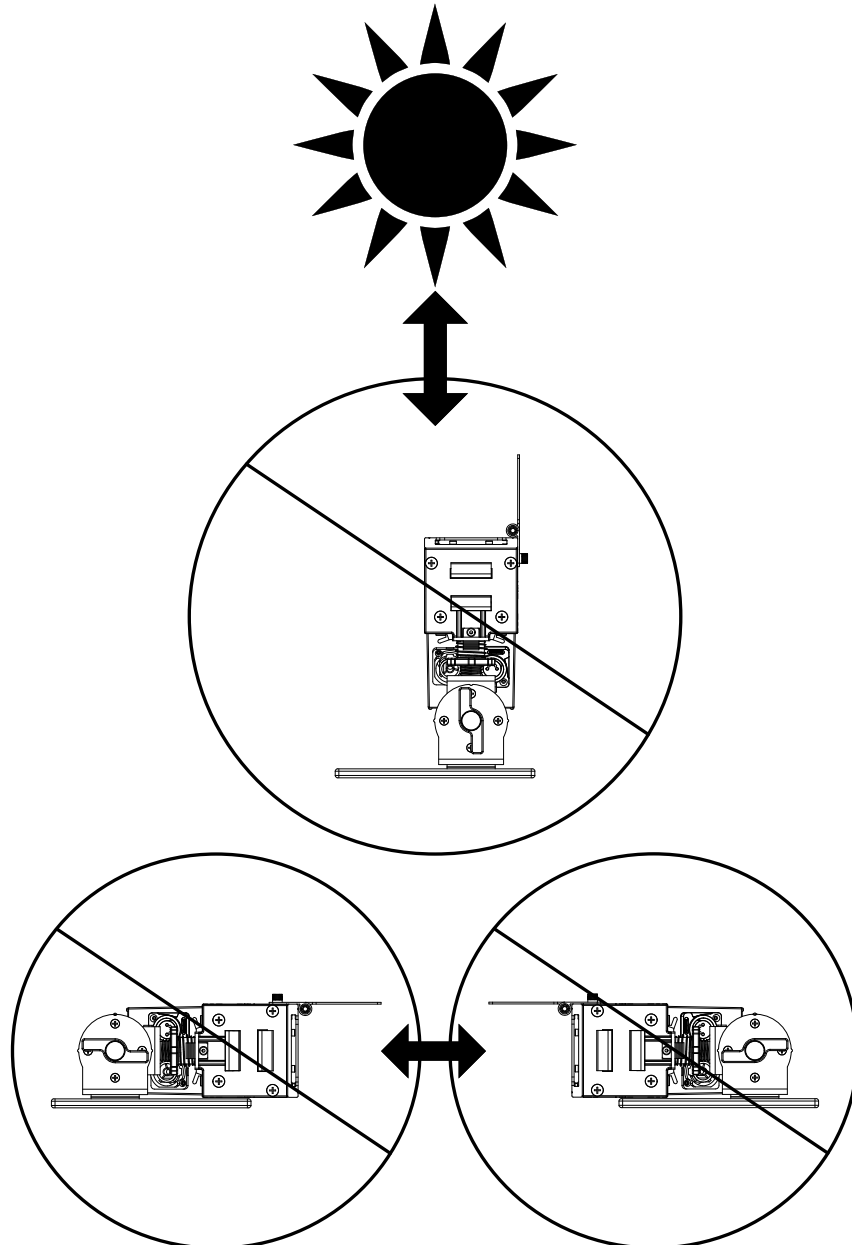
# INSTALLATION GUIDELINES

## POTENTIAL INTERNAL FIXTURE DAMAGE FROM EXTERNAL SOURCES OF LIGHT BEAMS

External sources of light beams from direct sunlight, lighting and moving head fixtures, and lasers, which are focused directly towards the exterior housing and/or penetrate the front lens opening of Elation lighting fixtures, can cause severe internal damage including burning of optics, dichroic color filters, glass and metal gobos, prisms, animation wheels, frost filters, iris, shutters, motors, belts, wiring, discharge lamps, and LEDs.

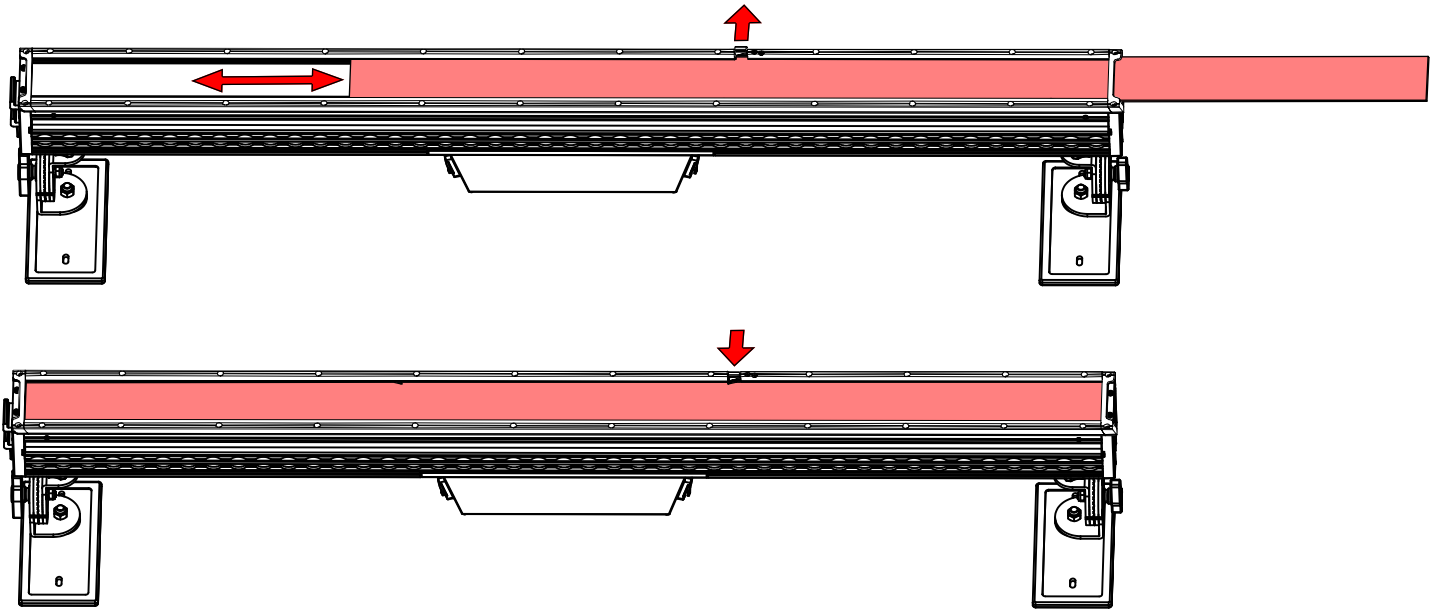
This issue is not specific only to Elation lighting fixtures, but rather it is a common issue with lighting fixtures from all manufacturers. Although there is no true way to fully prevent this issue from happening, the guidelines below can reduce the risk of potential damage. Contact Elation Service for more details.

**DO NOT EXPOSE THE FIXTURE AND/OR FRONT LENS OPENING TO LIGHT BEAMS FROM DIRECT SUNLIGHT, OTHER LIGHTING OR MOVING HEAD FIXTURES, AND LASERS DURING UNPACKING, INSTALLATION, USE, AND EXTENDED IDLE TIMES OUTDOORS. DO NOT FOCUS A LIGHT BEAM FROM ONE LIGHTING FIXTURE DIRECTLY TOWARDS ANOTHER.**



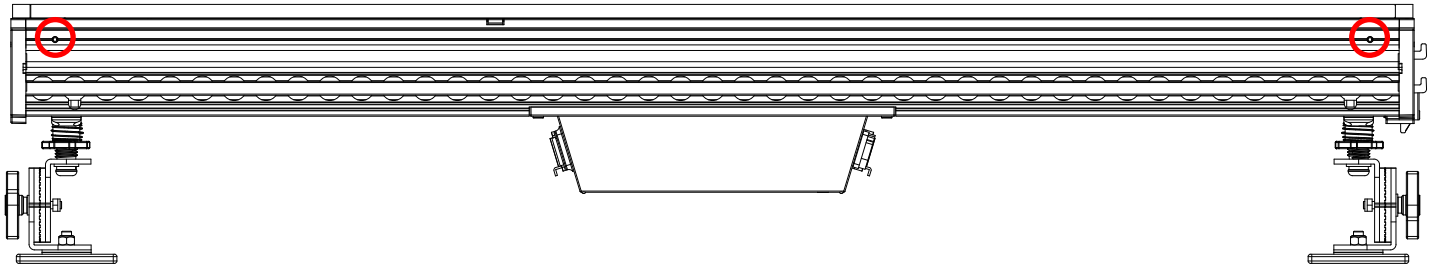
## ACCESSORY INSTALLATION: FROST FILTER

Locate Frost Filter Lens Lock and press out to unlock it. Carefully slide Frost Filter Lens into the Lens Slots. Once in place, secure the Frost Filter Lens by pressing inward to relock it.

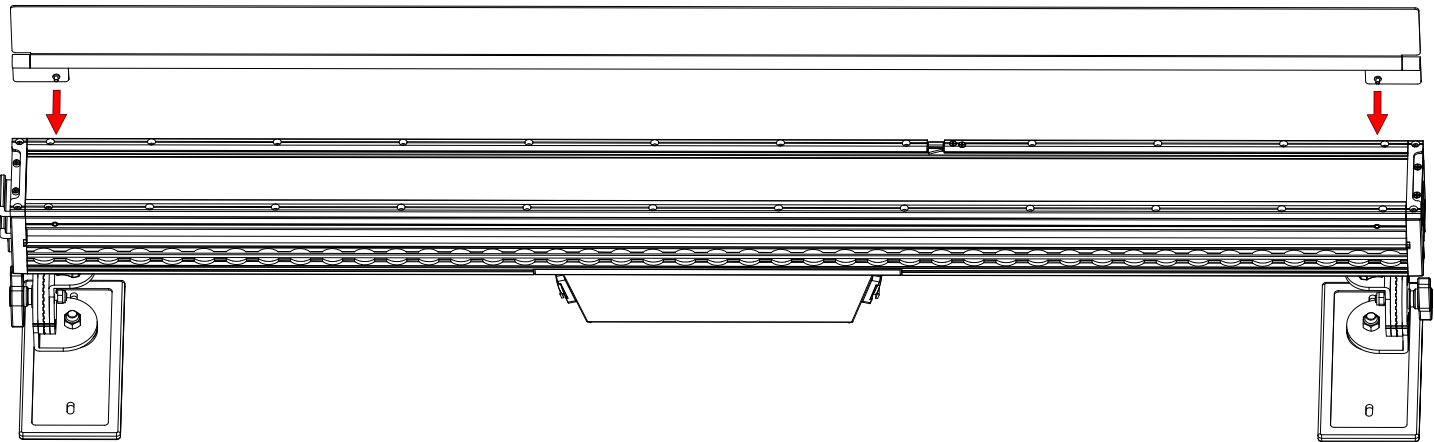


# ACCESSORY INSTALLATION - GLARE SHIELD

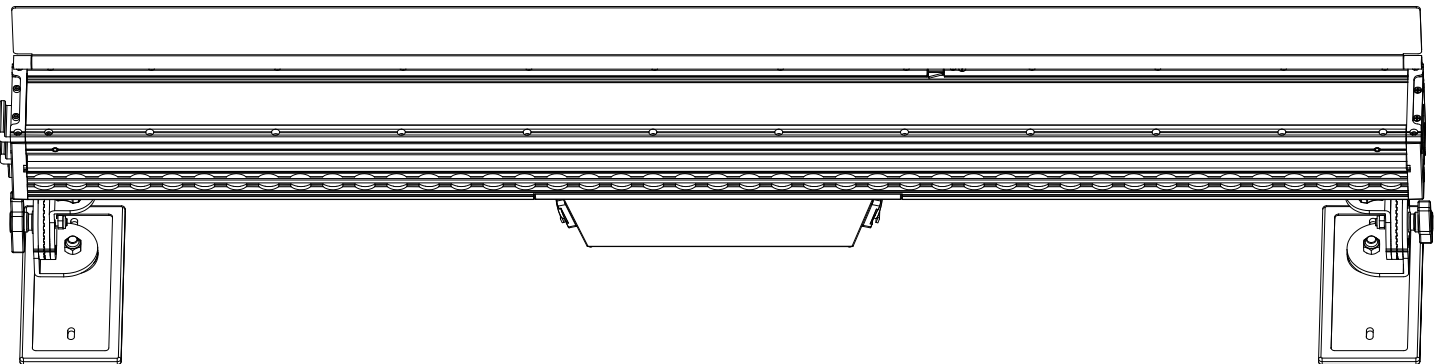
1. Locate 2 Glare Shield mounting screw holes on either side of fixture.



2. Align the thumbscrews of the Glare Shield with the mounting screw holes and insert them.



3. Tighten the two thumbscrews to secure Glare Shield. Thumbscrews can also be tightened with a Phillips screw driver.

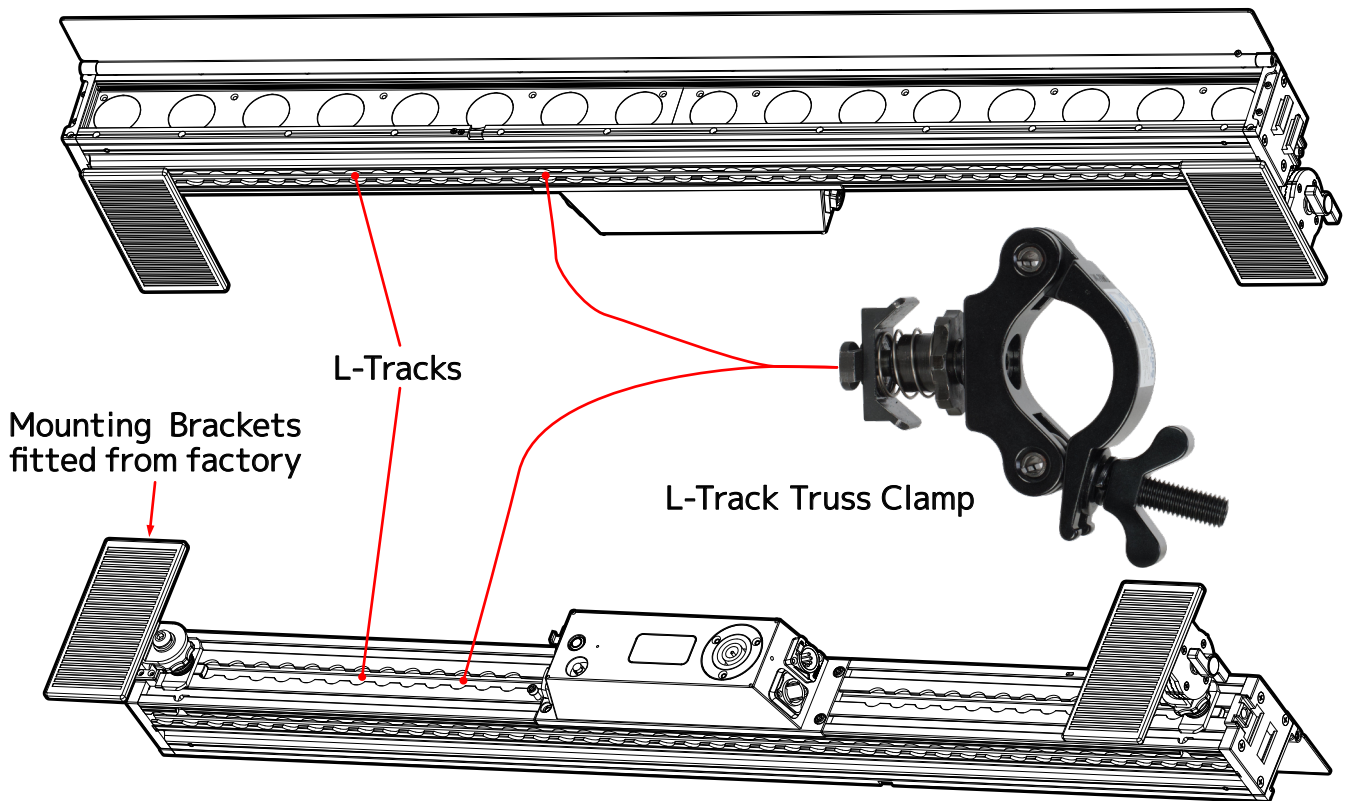


# ACCESSORY INSTALLATION - L-TRACK

## L-TRACK MOUNTING

This unit's L-track mounting system allows the user to slide the mounting clamps along the tracks and lock them down in the desired position. This unit features two L-tracks mounted on the underside of the unit and two along the sides of the unit. These L-tracks are fitted with mounting brackets from the factory, but the brackets may be detached and other L-track components can be installed in their place. Special L-track mounting clamps, which incorporate an L-track attachment rail in place of a mounting bolt hole, are available in both regular and extended lengths. Similarly, L-track adapters are also available which can be fitted to any standard mounting clamp.

To attach an L-track clamp or adapter, simply insert the attachment rail into the matching track on the fixture, slide to its desired location, and tighten the fastener knob on the attachment to secure in place.



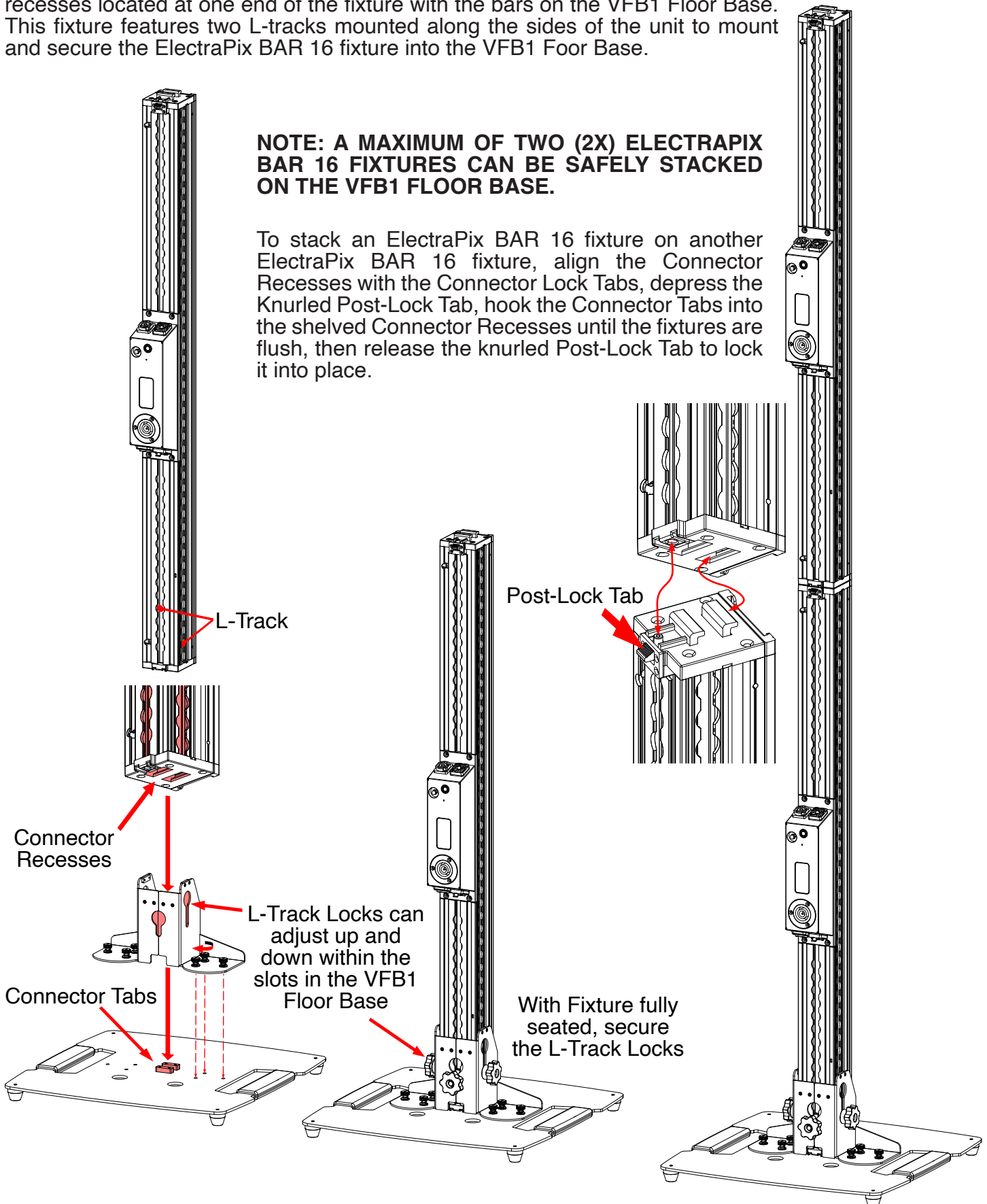
# ACCESSORY INSTALLATION - VFB1 FLOOR BASE

## VFB1 FLOOR BASE: MOUNTING & STACKING

To mount the ElectraPix BAR 16 fixture to the VFB1 Floor Base, align the connector recesses located at one end of the fixture with the bars on the VFB1 Floor Base. This fixture features two L-tracks mounted along the sides of the unit to mount and secure the ElectraPix BAR 16 fixture into the VFB1 Floor Base.

**NOTE: A MAXIMUM OF TWO (2X) ELECTRAPIX BAR 16 FIXTURES CAN BE SAFELY STACKED ON THE VFB1 FLOOR BASE.**

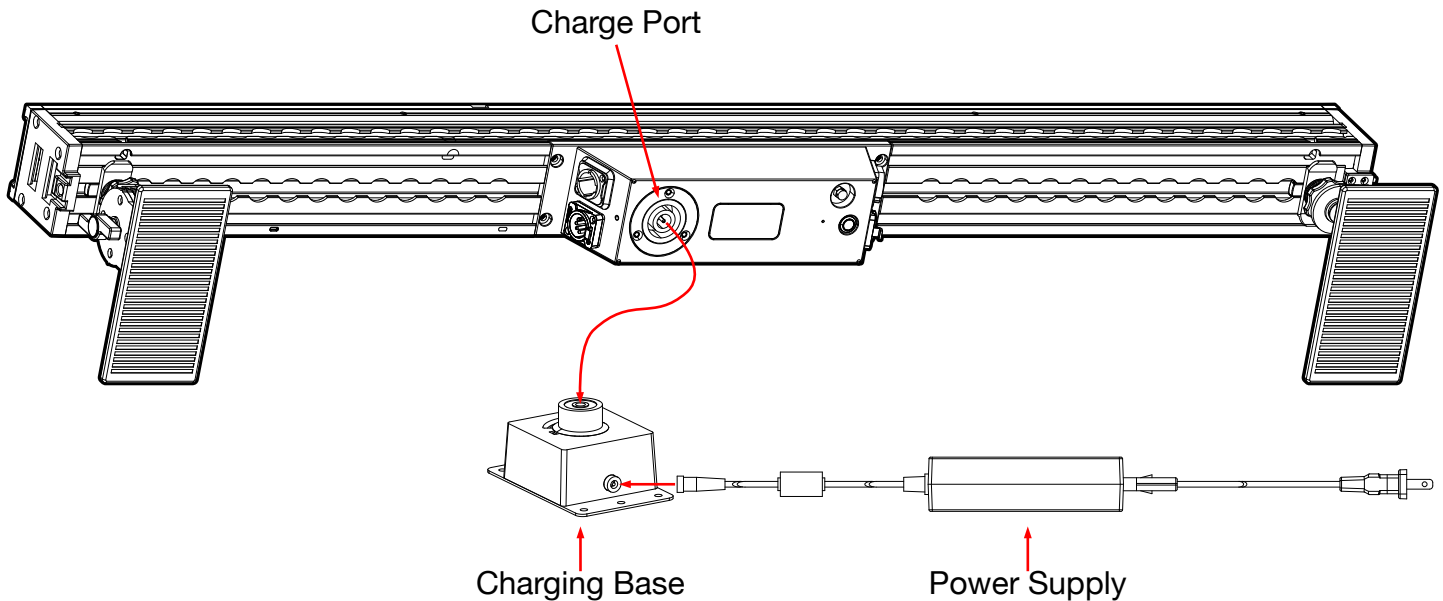
To stack an ElectraPix BAR 16 fixture on another ElectraPix BAR 16 fixture, align the Connector Recesses with the Connector Lock Tabs, depress the Knurled Post-Lock Tab, hook the Connector Tabs into the shelved Connector Recesses until the fixtures are flush, then release the knurled Post-Lock Tab to lock it into place.





# ACCESSORY INSTALLATION - BATTERY CHARGER

To charge the internal battery, carefully plug the Charging Base into the Charge Port, located on the bottom of the fixture next to the control panel, and plug the Power Supply into the Charging Base. If the battery is completely discharged, Charge Time is 5.5-hours for a full charge.



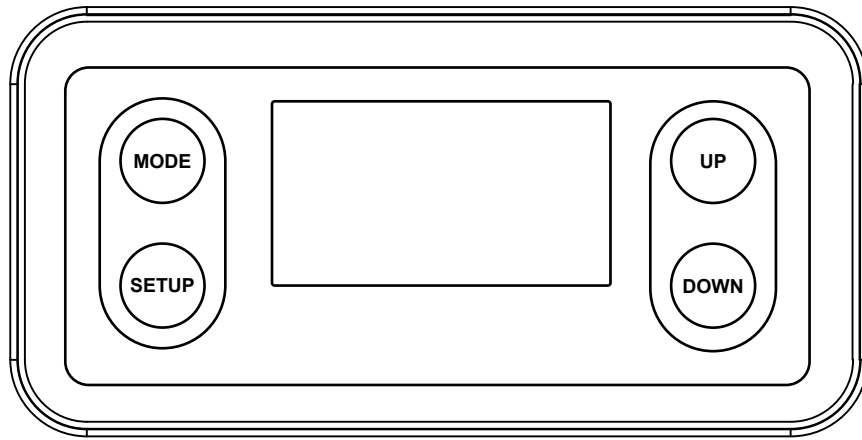
**Disconnect the unit from the charger once the battery is fully charged.** Doing so reduces the risk of overcharging the battery, which can shorten the service life of the battery.

**Note that the charging components are NOT protected against the intrusion of dust and/or water, and are intended for use only in a dry indoor environment. Do NOT expose to rain or moisture. When charging is complete, always seal the charging port with the included plug to maintain the fixture's IP rating.**

# SYSTEM MENU

This unit features a display screen with a 4-button control pad, which can be used to easily adjust any device settings.

Pressing the **MODE** button will cycle through the various Main Menu options. When the desired Main Menu option is displayed on the screen, press the **SETUP** button to enter the sub-menu, then use the **UP** and **DOWN** buttons to scroll through sub-menu options. In some cases, there will be a second sub-menu that can be navigated in the same way.



This fixture includes a display lock feature which automatically shuts off the display screen after a certain period of inactivity. This feature is OFF by default, which means that the display will always remain on regardless of inactivity, but can be configured to kick in after up to 10 minutes of inactivity.

# SYSTEM MENU - ENGLISH

MAIN MENU	OPTIONS / VALUES (Default Settings in <b>BOLD</b> )			
<b>DMX Settings</b>	DMX Address	<b>001</b> - 512		
	DMX Mode	5ch, 6ch, 9ch, 13ch, <b>22ch</b> , 24ch, 96ch, 99ch, 114ch		
	No DMX Status	<b>Hold Last</b> , Blackout, Manual Settings, Internal Programs		
<b>Personality</b>	Prim/Sec Mode	Primary, <b>Secondary</b>		
	Select Signal	<b>DMX</b> or Aria		
	Aria Settings	Enable Aria in and Physical DMX Out	ON/OFF	
		Enable Aria	ON/OFF	
		Frequency	<b>2.4Ghz</b> / Sub-G US / Sub-G EU	
		Set Aria 2.4Ghz channel	<b>00</b> ~15	
		Set Aria 900Mhz channel	<b>00</b> ~09	
		Mesh	ON/OFF	
		Bluetooth Enable	ON/OFF	
	RDM	ON/OFF		
	Dim Modes	<b>Standard</b> , Stage, TV, Architectural, Theatre, Stage 2		
		Dim Delay	0-99	
	Dim Curve	<b>Square</b> , Linear, Inv.Squa, S.Curve		
	IR Function	ON / OFF		
	IR Button Colors	Button 0	Red	000-255
			Green	000-255
			Blue	000-255
			Amber	000-255
			Lime	000-255
			UV	000-255
		Button 1	Red	000-255
			Green	000-255
			Blue	000-255
			Amber	000-255
			Lime	000-255
			UV	000-255
		Button 2	Red	000-255
			Green	000-255
Blue			000-255	
Amber			000-255	
Lime			000-255	
UV			000-255	
...		...	...	
Button 15		Red	000-255	
		Green	000-255	
		Blue	000-255	
		Amber	000-255	
		Lime	000-255	
	UV	000-255		
Pixel Flip	<b>Pixel Flip 1</b> , Pixel Flip 2			
LED Refresh Rate	900, 1000, 1100, <b>1200</b> , 1300, 1400, 1500, 2500, 4000, 5000,10k,15k, 20k, 25k			
Display	Screen Saver Delay	OFF, 1- <b>10</b> seconds		
	Touch Screen Lock	OFF - <b>30 seconds</b> , 1 minute		
	Rotate Display 180°	YES / <b>NO</b>		
Language	Passcode	<b>English</b> , Spanish		
Alarm	Passcode	ON / OFF		
	Alarm Time	<b>10s</b> , 20s, 30s, 40s, 60s		

# SYSTEM MENU - ENGLISH

MAIN MENU		OPTIONS / VALUES (Default Settings in <b>BOLD</b> )		
<b>Personality (continued)</b>	Service	Passcode	White Balance	Red 000 - 255
				Green 000 - 255
				Blue 000 - 255
				Amber 000 - 255
				Lime 000 - 255
				UV 000 - 255
			Color Calibration	<b>Enable</b> / Disable
			DMX Indicators	Enable / <b>Disable</b>
Charging Indicator	Enable / <b>Disable</b>			
Factory Restore	Yes / <b>No</b>			
<b>Manual Control</b>	Red	000-255		
	Green	000-255		
	Blue	000-255		
	Amber	000-255		
	Lime	000-255		
	UV	000-255		
	RGBAL+UV Color Macros	<b>000-255</b>		
	Background Red	<b>000-255</b>		
	Background Green	<b>000-255</b>		
	Background Blue	<b>000-255</b>		
	RGB Background Color Macros	<b>000-255</b>		
	Color Temperature 2300-9900K	<b>000-255</b>		
	Color Temp Presets	<b>Off</b> , 2300K, 2400K... 9900K		
	Shutter	<b>000-255</b>		
	Dimmer	<b>000-255</b>		
	Internal Programs	<b>Off</b> , Prog 0, Prog 1... Prog 13		
	Internal Programs Speed	<b>000-255</b>	<b>Default = 127</b>	
	Internal Programs Fade	<b>000-255</b>	<b>Default = 0</b>	
RGB Background Programs	<b>000-255</b>			
RGB Background Programs Speed	<b>000-255</b>			
RGB Background Programs Fade	<b>000-255</b>			
<b>Internal Programs</b>	Program 0	Speed	0-255	<b>Default = 127</b>
		Fade	0-255	<b>Default = 0</b>
	Program 1	Speed	0-255	<b>Default = 127</b>
		Fade	0-255	<b>Default = 0</b>
	Program 2	Speed	0-255	<b>Default = 127</b>
		Fade	0-255	<b>Default = 0</b>
	Program 3	Speed	0-255	<b>Default = 127</b>
		Fade	0-255	<b>Default = 0</b>
	...	...	...	...
	Program 13	Speed	0-255	<b>Default = 127</b>
Fade		0-255	<b>Default = 0</b>	
<b>Information</b>	LED Temperature	xxx F / xxx C		
	Software Version	x.xx		
	RDM UID	xxxxxx		
<b>Battery</b>	Charging Time	xx hours		
	Current Life	xxx%		
	Operation Mode	<b>5 Hr</b> ~ 20 Hr		

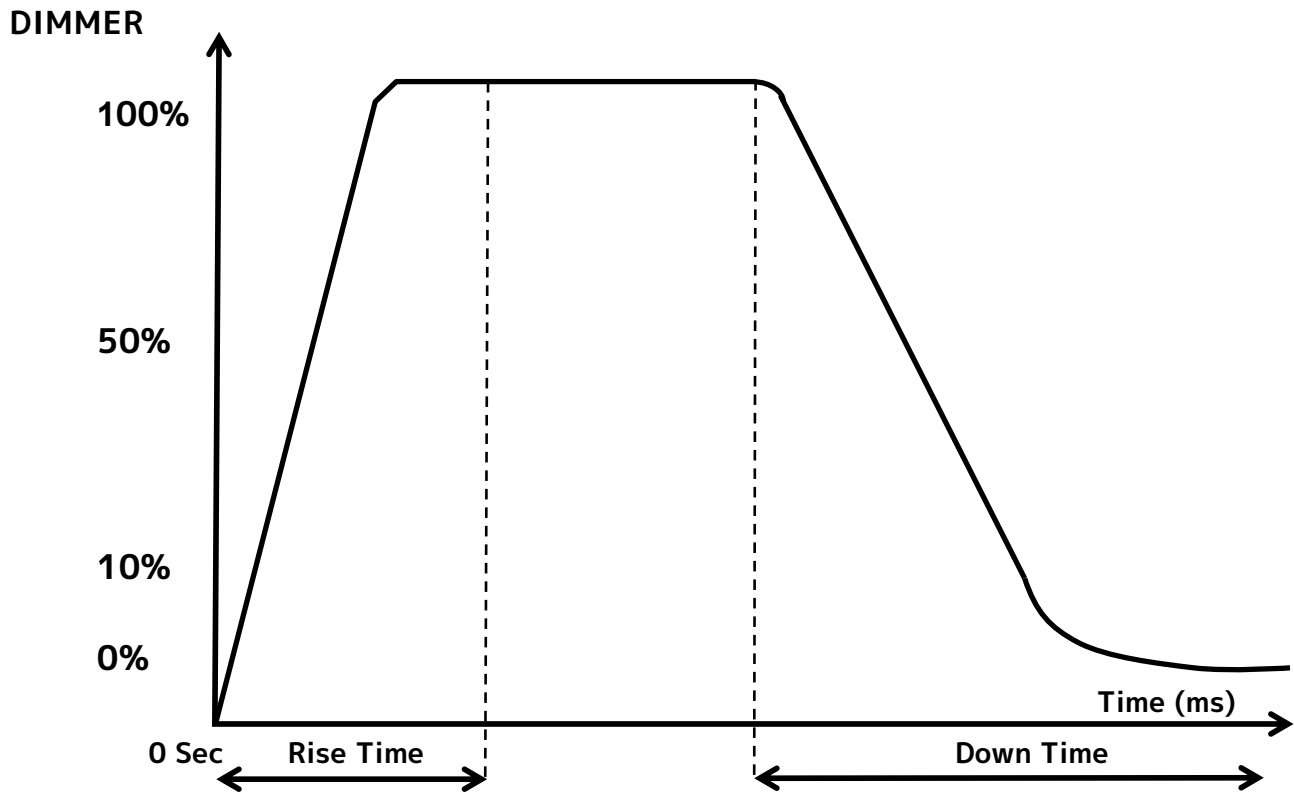
# SYSTEM MENU - SPANISH

MENU PRINCIPAL	OPCIONES / VALORES (Configuración predeterminada en <b>NEGRITA</b> )			
<b>Configuración DMX</b>	Dirección DMX	001 - 512		
	Modo Canales DMX	5ch, 6ch, 9ch, 13ch, <b>22ch</b> , 24ch, 96ch, 99ch, 114ch		
	Estado DMX	<b>TENER ULTIMO</b> , Apagón, Configuración Manual, Programas Internos		
<b>Persinalidad</b>	Primario / Secundario	ON / OFF		
	Activar la Señal	<b>DMX</b> o Aria		
		Activar Aria In y DMX Out	ON/OFF	
	Aria Settings	Activar Aria	ON/OFF	
		Eligir frecuencia de radio Aria	2.4Ghz / Sub-G US / Sub-G EU	
		Eligir el canal Aria 2.4Ghz	00~15	
		Eligir el canal Aria Sub-G	00~09	
		Eligir Mesh de Aria	ON/OFF	
		Activar Bluetooth	ON/OFF	
	RDM	ON/OFF		
	Modos de Atenuación	<b>Estándar</b> , Estándar, TV, Architectural, Teatro, Escenario 2		
		Retardo de Atenuación	0-99	
	Curva de Atenuación	<b>Cuadrado</b> , Lineal, Inv.Squa, S.Curve		
	Función de IR	ON / OFF		
	Colores del botón de control IR	Botone 0	Rojo	000-255
			Verde	000-255
			Azul	000-255
			Ámbar	000-255
			Lima	000-255
			UV	000-255
		Botone 1	Rojo	000-255
			Verde	000-255
			Azul	000-255
			Ámbar	000-255
			Lima	000-255
			UV	000-255
		Botone 2	Rojo	000-255
			Verde	000-255
Azul			000-255	
Ámbar			000-255	
Lima			000-255	
UV			000-255	
...		...	...	
Botone 15		Rojo	000-255	
		Verde	000-255	
		Azul	000-255	
		Ámbar	000-255	
		Lima	000-255	
	UV	000-255		
Inversión de Píxeles	<b>Inversión 1</b> , Inversión 2			
Frecuencia de actualización de LED	900, 1000, 1100, <b>1200</b> , 1300, 1400, 1500, 2500, 4000, 5000, 10k, 15k, 20k, 25k			
Monitor	Retraso del protector de pantalla	OFF, 1- <b>10</b> segundos		
	Bloqueo de pantalla táctil	<b>OFF</b> - 10 minutos		
	Girar la pantalla 180°	<b>YES / NO</b>		
Idioma	Código de acceso	<b>English</b> , Español		
Alarma	Código de acceso	ON / OFF		
		Tiempo de sonido	<b>10s</b> , 20s, 30s, 40s, 60s	

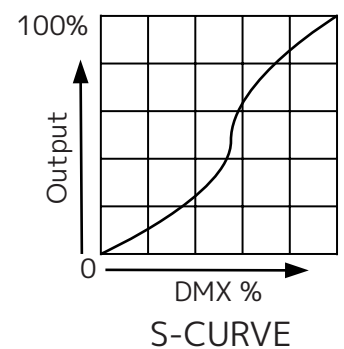
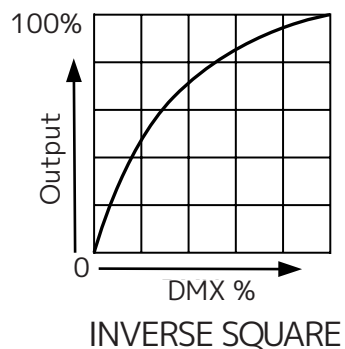
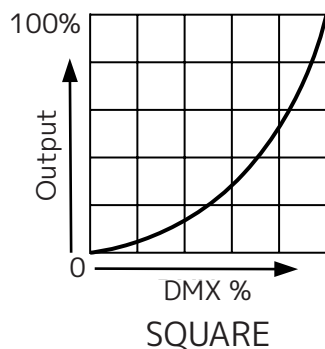
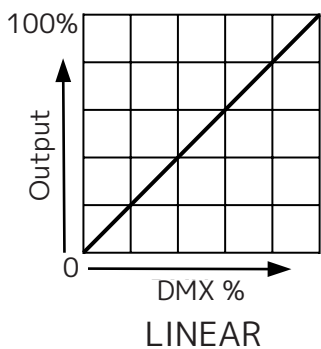
# SYSTEM MENU - SPANISH

MENU PRINCIPAL	OPCIONES / VALORES (Configuración predeterminada en <b>NEGRITA</b> )			
Persinalidad (continúa)	Servicio	Codigo de acceso	Ajuste de colores	Rojo 000-255
				Verde 000-255
				Azul 000-255
				Ambar 000-255
				Lima 000-255
				UV 000-255
			Calibración de color	<b>Activar</b> o Desactivar
			Indicadores DMX	Activar o <b>Desactivar</b>
Indicador de carga	Activar o <b>Desactivar</b>			
Restauracion de fabrica	<b>YES / NO</b>			
Manual Control	Rojo		000-255	
	Verde		000-255	
	Azul		000-255	
	Ambar		000-255	
	Lima		000-255	
	UV		000-255	
	RGBAL+UV Macro de color		<b>000-255</b>	
	Fondo Rojo		<b>000-255</b>	
	Fondo Verde		<b>000-255</b>	
	Fondo Azul		<b>000-255</b>	
	Macros de Color de Fondo RGB		<b>000-255</b>	
	Temperatura de Color 2300-9900K Lineal		<b>000-255</b>	
	Preajustes de Temperatura de Color		<b>Off</b> , 2300k, 2400k, 2500k, 2600k... 9900k	
	Estrobo		<b>000-255</b>	
	Dimmer		<b>000-255</b>	
	Programas Internos		<b>Off</b> , Prog 0, Prog 1,...Prog 13	
	Velocidad de Programas Internos		<b>000-255</b>   <b>predeterminada = 127</b>	
Descolorarse de Programas Internos		<b>000-255</b>   <b>predeterminada = 0</b>		
Programas de fondo RGB		<b>000-255</b>		
Velocidad de Programas de Fondo RGB		<b>000-255</b>		
Tiempo de transición Programas de Fondo RGB.		<b>000-255</b>		
Programas Internos	Programa 0	Velocidad	0-255   predeterminada = 127	
		Descolorarse	0-255   predeterminada = 0	
	Programa 1	Velocidad	0-255   predeterminada = 127	
		Descolorarse	0-255   predeterminada = 0	
	Programa 2	Velocidad	0-255   predeterminada = 127	
		Descolorarse	0-255   predeterminada = 0	
	Programa 3	Velocidad	0-255   predeterminada = 127	
		Descolorarse	0-255   predeterminada = 0	
...	...	...		
Programa 13	Velocidad	0-255   predeterminada = 127		
	Descolorarse	0-255   predeterminada = 0		
Informacion	Temperatura de los LED's	xxx F / xxx C		
	Version de software	x.xx		
	RDM UID	xxxxxx		
Bateria	Tiempo de carga	xx horas		
	Cargar	xxx%		
	Modos de operacion	<b>5 Hr ~ 20 Hr</b>		

# DIMMER MODES AND CURVES



Dimming Curve Ramp Effect	0 sec Fade Time		1 sec Fade Time	
	Rise Time (ms)	Down Time (ms)	Rise Time (ms)	Down Time (ms)
Standard (default)	0	0	0	0
Stage	780	1100	1540	1660
TV	1180	1520	1860	1940
Architectural	1380	1730	2040	2120
Theatre	1580	1940	2230	2280
Stage 2	0	1100	0	1660



# REMOTE CONTROL GUIDELINES

## REMOTE FUNCTIONS

The functions available on the ADJ UC IR24 remote unit are detailed below:

- **ON:** Activates the fixture.
- **OFF:** Fixture goes into stand by mode in a blackout state.
- **STROBE:** Fixture strobes the most recently selected color or program. Strobe rate can be adjusted by degrees using the + / - buttons, or preset strobe speeds can directly be selected using number keys 1-15. 1 is the slowest flash speed, and 15 is the fastest.
- **SOUND:** The fixture responds to microphone inputs with the most recently selected program. Microphone sensitivity can then be adjusted using the +/- buttons.
- **COLOR:** Activates color mode. Preset static colors can now be selected by using the number keys 0-15. The intensity for the set color can then be adjusted using the +/- buttons.
- **PROGRAM:** Activates program mode. Internal programs can be selected by using the number keys 0-13. The selected program run speed can be adjusted with the +/- buttons.
- **+ and - buttons:** These buttons are used to increase/decrease strobe rate when the STROBE button is active, increase/decrease mic sensitivity when the SOUND button is active, increase/decrease brightness intensity when the COLOR button is active, and increase/decrease program run speed when the PROGRAM button is active. The +/- buttons can be repeatedly pressed to make adjustments in single-step increments, or they can be pressed and held down to quickly scroll to the desired value.
- **0-15 buttons:** These buttons are used to select preset strobe speeds when the STROBE button is active, to select preset static colors when the COLOR button is active, and to select internal programs when the PROGRAM button is active. Colors stored in buttons 0-15 can be edited from the units menu if desired by the user.





# IR DEFAULT VALUES

BUTTON	RED	GREEN	BLUE	AMBER
0	255	255	255	255
1	255	0	0	0
2	0	255	0	0
3	0	0	255	0
4	255	46	0	0
5	0	255	28	0
6	17	0	75	0
7	255	83	0	63
8	0	255	52	0
9	32	0	75	22
10	0	0	0	255
11	0	114	160	0
12	100	0	97	0
13	255	255	0	255
14	0	75	136	0
15	146	0	80	0

## EDITING IR BUTTON VALUES

These fixtures allow the user to create custom RGBA values and assign them to the numbered keys (0-15) on the remote control. Follow the steps below:

1. In the main system menu, press MODE to navigate to “Personality,” then press ENTER. Use the UP and DOWN buttons to scroll to “IR Button Colors,” then press ENTER again.
2. Use the UP and DOWN buttons to scroll to the number of the remote button that you would like to use. Options range from “Button 0” to “Button 15.” Press ENTER to select the button shown on the display screen.
3. Create a custom color for the button you have selected by using the UP and DOWN buttons to scroll through the color component options (Red, Green, Blue, Amber, Lime). Press ENTER to select a color component option, then use the UP and DOWN buttons to adjust the intensity of that color component option. Selectable values range from 000 to 255. Repeat this process until you have set the desired Red, Green, Blue, and Amber intensities to create your custom color.

**NOTE:** Once you have created and assigned a custom RGBA value to a remote button, the default color for the remote button will be overridden. This means that the output color of the fixture may no longer resemble the color shown on the remote button. The only way to return to the default RGBA value is to reset the unit to the default factory settings by navigating to **Personality > Service > Factory Restore**.

**NOTE:** If multiple units have been linked in a primary-secondary set up, the custom RGBA values only need to be set up on the primary unit. The custom RGBA settings will carry over automatically to any secondary units in the system.

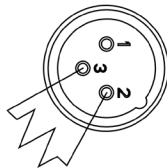
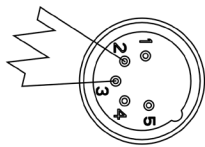
# DMX SETUP

**DMX-512:** DMX is short for Digital Multiplex. This is a universal protocol used as a form of communication between intelligent fixtures and controllers. A DMX controller sends DMX data instructions from the controller to the fixture. DMX data is sent as serial data that travels from fixture to fixture via the DATA “IN” and DATA “OUT” XLR terminals located on all DMX fixtures (most controllers only have a DATA “OUT” terminal).

**DMX Linking:** DMX is a language allowing all makes and models of different manufacturers to be linked together and operate from a single controller, as long as all fixtures and the controller are DMX compliant. To ensure proper DMX data transmission, try to use the shortest cable path possible when using several DMX fixtures. The order in which fixtures are connected in a DMX line does not influence the DMX addressing. For example, a fixture assigned a DMX address of 1 may be placed anywhere in a DMX line: at the beginning, at the end, or anywhere in the middle. When a fixture is assigned a DMX address of 1, the DMX controller knows to send DATA assigned to address 1 to that unit, no matter where it is located in the DMX chain.

**Data Cable (DMX Cable) Requirements (For DMX Operation):**The Jolt Panel FX can be controlled via DMX-512 protocol, and features multiple DMX channel modes. Your unit and your DMX controller require a 5-pin XLR connector for data input and data output. If you are making your own cables, be sure to use standard 110-120 Ohm shielded cable (This cable may be purchased at almost all pro lighting stores). Your cables should be made with a male XLR connector at one end and a female XLR connector on the other. Also remember that DMX cable must be daisy chained and cannot be split.

**Special Note:** Line Termination. When longer runs of cable are used, you may need to use a terminator on the last unit to avoid erratic behavior. A terminator is a 110-120 ohm 1/4 watt resistor which is connected between pins 2 and 3 of a male XLR connector (DATA + and DATA -). This unit is inserted in the female XLR connector of the last unit in your daisy chain to terminate the line. Using a cable terminator (ADJ part number Z-DMX/T) will decrease the chances of erratic behavior.



A DMX512 terminator reduces signal errors, avoiding most signal reflection interference. Connect PIN 2 (DMX-) and PIN 3 (DMX+) of the last fixture in series with a 120 Ohm, 1/4 W Resistor to terminate the DMX512.

# DMX SETUP

## DMX ADDRESSING

All fixtures should be given a DMX starting address when operating with a DMX controller, in order to ensure that the correct fixture responds to the correct control signal. This digital starting address is the channel number from which the fixture starts to “listen” to the digital control signal sent out from the DMX controller. The assignment of this starting DMX address is achieved by setting the correct DMX address on the digital control display on the fixture.

You can set the same starting address for all fixtures or a group of fixtures, or set different addresses for each individual fixture. Setting all fixtures to the same DMX address will cause all fixtures to react in the same way. In this case, please note that changing the settings of one channel will affect all the fixtures simultaneously.

If you set each fixture to a different DMX address, each unit will “listen” starting at the channel number you have set, based on the quantity of DMX channels of each fixture. That means changing the settings of one channel will only affect the selected fixture.

As an example, when operating this device in 6 channel mode, you should set the starting DMX address of the first unit to 1, the second unit to 7 (1 + 6), the third unit to 13 (1 + 6 + 6), and so on. (See the chart below for more details.)

Channel Mode	Unit 1 Address	Unit 2 Address	Unit 3 Address	Unit 4 Address
5 Channels	1	6	11	16
6 Channels	1	7	13	19
9 Channels	1	10	19	29
13 Channels	1	14	27	40
22 Channels	1	23	45	67
24 Channels	1	25	49	73
96 Channels	1	97	193	289
99 Channels	1	100	199	298
114 Channels	1	115	229	343

# DMX TRAITS

CHANNEL									DMX VALUES	FUNCTION	
5 CH	6 CH	9 CH	13 CH	22 CH	24 CH	96 CH	99 CH	114 CH			
	1	1		1	1				0-255	All Red, 0~100%	
	2	2		2	2				0-255	All Green, 0~100%	
	3	3		3	3				0-255	All Blue, 0~100%	
	4	4		4	4				0-255	All Amber, 0~100%	
	5	5		5	5				0-255	All Lime, 0~100%	
	6	6		6	6				0-255	All UV, 0~100%	
						1	1	1	0-255	Red1, 0~100%	
						2	2	2	0-255	Green 1, 0~100%	
						3	3	3	0-255	Blue 1, 0~100%	
						4	4	4	0-255	Amber 1, 0~100%	
						5	5	5	0-255	Lime 1, 0~100%	
						6	6	6	0-255	UV 1, 0~100%	
									0-255	...	
						91	91	91	0-255	Red 16, 0~100%	
						92	92	92	0-255	Green 16, 0~100%	
						93	93	93	0-255	Blue 16, 0~100%	
						94	94	94	0-255	Amber 16, 0~100%	
						95	95	95	0-255	Lime 16, 0~100%	
						96	96	96	0-255	UV 16, 0~100%	
			1	7	7			97	0-255	RGBAL+UV Color Macros	
		7		8	8			97	98	0-255	Background Red, 0~100%
		8		9	9			98	99	0-255	Background Green, 0~100%
		9		10	10			99	100	0-255	Background Blue, 0~100%
			2	11	11				101	0-255	RGB Background Color Macros
1			3	12	12				102	0-255	Color Temperature 2300-9900K Linear, 0~100%
											White Color Temperature Presets
2			4	13	13				103	0-22	Open
										23-99	See WCT Preset Chart
										100-255	No Function
											Shutter, Strobe
										0-31	Led's Off
										32-63	Led's On
										64-95	Strobe effect slow to fast
3			5	14	14				104	96-127	Led's On
										128-159	Pulse-effect in sequences
										160-191	Led's On
										192-223	Random strobe effect slow to fast
										224-255	Led's On
4			6	15	15				105	0-255	Dimmer (Intensity), Intensity 0~100%
5			7	16	16				106	0-255	Dimmer Fine (Intensity)

# DMX TRAITS

CHANNEL									DMX VALUES	FUNCTION
5 CH	6 CH	9 CH	13 CH	22 CH	24 CH	96 CH	99 CH	114 CH		
			8	17	17			107		<b>RGBAL+UV programs:</b>
									0-10	Off
									11-26	Auto Program 1
									27-43	Auto Program 2
									44-60	Auto Program 3
									61-76	Auto Program 4
									77-93	Auto Program 5
									94-110	Auto Program 6
									111-126	Auto Program 7
									127-143	Auto Program 8
									144-160	Auto Program 9
									161-176	Auto Program 10
									177-193	Auto Program 11
									194-210	Auto Program 12
									211-226	Auto Program 13
									227-255	No Function
			9	18	18			108	0-255	<b>RGBAL+UV Programs Speed:</b> Slow to Fast speed
			10	19	19			109	0-255	<b>RGBAL+UV Programs Fade:</b> Less to More
			11	20	20			110		<b>RGB Background Programs:</b>
									0-10	Off
									11-26	Auto Program 1
									27-43	Auto Program 2
									44-60	Auto Program 3
									61-76	Auto Program 4
									77-93	Auto Program 5
									94-110	Auto Program 6
									111-126	Auto Program 7
									127-143	Auto Program 8
									144-160	Auto Program 9
									161-176	Auto Program 10
									177-193	Auto Program 11
									194-210	Auto Program 12
									211-226	Auto Program 13
									227-255	No Function
			12	21	21			111	0-255	<b>RGB Background Programs Speed:</b> Slow to Fast speed
			13	22	22			112	0-255	<b>RGB Background Programs Fade:</b> Less to More

# DMX TRAITS

CHANNEL									DMX VALUES	FUNCTION
5 CH	6 CH	9 CH	13 CH	22 CH	24 CH	96 CH	99 CH	114 CH		
					23			113		<b>Dim Mode</b>
									000-020	Default to Unit Setting
									021-040	Standard
									041-060	Stage
									061-080	TV
									081-100	Architectural
									101-120	Theatre
									121-140	Stage 2
										<b>Dim Speed</b>
									141	0.1 s
									142	0.2 s
									143	0.3 s
									144	0.4 s
									145	0.5 s
									146	0.6 s
									147	0.7 s
									148	0.8 s
									149	0.9 s
									150	1 s
									151	1.5 s
									152	2 s
									153	3 s
									154	4 s
									155	5 s
									156	6 s
									157	7 s
									158	8 s
									159	9 s
									160	10 s
									161-255	Default to Unit Setting
					24			114		<b>Dim Curves</b>
									0-20	Square
									21-40	Linear
									41-60	Inv. Squa
									61-80	S. Curve
									81-255	No Function

# COLOR TEMPERATURE

DMX VALUE	COLOR TEMPERATURE (K)	DMX VALUE	COLOR TEMPERATURE (K)
23	2300	63	6300
24	2400	64	6400
25	2500	65	6500
26	2600	66	6600
27	2700	67	6700
28	2800	68	6800
29	2900	69	6900
30	3000	70	7000
31	3100	71	7100
32	3200	72	7200
33	3300	73	7300
34	3400	74	7400
35	3500	75	7500
36	3600	76	7600
37	3700	77	7700
38	3800	78	7800
39	3900	79	7900
40	4000	80	8000
41	4100	81	8100
42	4200	82	8200
43	4300	83	8300
44	4400	84	8400
45	4500	85	8500
46	4600	86	8600
47	4700	87	8700
48	4800	88	8800
49	4900	89	8900
50	5000	90	9000
51	5100	91	9100
52	5200	92	9200
53	5300	93	9300
54	5400	94	9400
55	5500	95	9500
56	5600	96	9600
57	5700	97	9700
58	5800	98	9800
59	5900	99	9900
60	6000		
61	6100		
62	6200		

# COLOR MACROS CHART: RGBAL+UV

Color	DMX Value	RGBWAL+UV COLOR VALUES						Color	DMX Value	RGB COLOR		
		RED	GRN	BLUE	AMB	LIME	UV			RED	GREEN	BLUE
Off	0	0	0	0	0	0	0	Color Macro 33	129-132	255	206	143
Color Macro 1	1-4	255	0	0	0	0	0	Color Macro 34	133-136	254	177	153
Color Macro 2	5-8	0	255	0	0	0	0	Color Macro 35	137-140	254	192	138
Color Macro 3	9-12	0	0	255	0	0	0	Color Macro 36	141-144	254	165	98
Color Macro 4	13-16	0	0	0	255	0	0	Color Macro 37	145-148	254	121	0
Color Macro 5	17-20	0	0	0	0	255	0	Color Macro 38	149-152	176	17	0
Color Macro 6	21-24	0	0	0	0	0	255	Color Macro 39	153-156	96	0	11
Color Macro 7	25-28	255	255	255	255	255	255	Color Macro 40	157-160	234	139	171
Color Macro 8	29-32	255	200	74	74	41	80	Color Macro 41	161-164	224	5	97
Color Macro 9	33-36	255	166	77	77	2	26	Color Macro 42	165-168	175	77	173
Color Macro 10	37-40	255	125	74	74	177	62	Color Macro 43	169-172	119	130	199
Color Macro 11	41-44	255	97	77	74	65	33	Color Macro 44	173-176	147	164	212
Color Macro 12	45-48	255	71	77	71	63	200	Color Macro 45	177-180	88	2	163
Color Macro 13	49-52	255	83	134	83	21	176	Color Macro 46	181-184	0	38	86
Color Macro 14	53-56	255	93	182	93	101	61	Color Macro 47	185-188	0	142	208
Color Macro 15	57-60	255	96	236	96	38	44	Color Macro 48	189-192	52	148	209
Color Macro 16	61-64	238	93	255	93	87	211	Color Macro 49	193-196	1	134	201
Color Macro 17	65-68	196	87	255	87	0	255	Color Macro 50	197-200	0	145	212
Color Macro 18	69-72	150	90	255	90	149	255	Color Macro 51	201-204	0	121	192
Color Macro 19	73-76	100	77	255	77	11	125	Color Macro 52	205-208	0	129	184
Color Macro 20	77-80	77	100	255	77	91	14	Color Macro 53	209-212	0	83	115
Color Macro 21	81-84	67	148	255	67	38	189	Color Macro 54	213-216	0	97	166
Color Macro 22	85-88	77	195	255	77	69	114	Color Macro 55	217-220	1	100	167
Color Macro 23	89-92	77	195	255	77	46	210	Color Macro 56	221-224	0	40	86
Color Macro 24	93-96	158	255	144	144	37	111	Color Macro 57	225-228	209	219	182
Color Macro 25	97-100	255	251	153	153	121	11	Color Macro 58	229-232	42	165	85
Color Macro 26	101-104	255	101	147	147	12	21	Color Macro 59	233-236	0	46	35
Color Macro 27	105-108	255	138	186	138	9	140	Color Macro 60	237-240	8	107	222
Color Macro 28	109-112	255	147	251	27	23	255	Color Macro 61	241-244	80	255	234
Color Macro 29	113-116	151	138	255	138	50	196	Color Macro 62	245-248	80	255	164
Color Macro 30	117-120	99	0	255	100	0	255	Color Macro 63	249-252	77	255	112
Color Macro 31	121-124	138	169	255	138	19	212	Color Macro 64	253-255	117	255	83
Color Macro 32	128-128	255	243	77	77	40	86					



# COLOR MACROS CHART: BACKGROUND

Color	DMX Value	RGB COLOR INTENSITY			Color	DMX Value	RGB COLOR INTENSITY		
		RED	GREEN	BLUE			RED	GREEN	BLUE
Off	0	0	0	0	Color Macro 33	129-132	255	206	143
Color Macro 1	1-4	80	255	234	Color Macro 34	133-136	254	177	153
Color Macro 2	5-8	80	255	164	Color Macro 35	137-140	254	192	138
Color Macro 3	9-12	77	255	112	Color Macro 36	141-144	254	165	98
Color Macro 4	13-16	117	255	83	Color Macro 37	145-148	254	121	0
Color Macro 5	17-20	160	255	77	Color Macro 38	149-152	176	17	0
Color Macro 6	21-24	223	255	83	Color Macro 39	153-156	96	0	11
Color Macro 7	25-28	255	243	77	Color Macro 40	157-160	234	139	171
Color Macro 8	29-32	255	200	74	Color Macro 41	161-164	224	5	97
Color Macro 9	33-36	255	166	77	Color Macro 42	165-168	175	77	173
Color Macro 10	37-40	255	125	74	Color Macro 43	169-172	119	130	199
Color Macro 11	41-44	255	97	77	Color Macro 44	173-176	147	164	212
Color Macro 12	45-48	255	71	77	Color Macro 45	177-180	88	2	163
Color Macro 13	49-52	255	83	134	Color Macro 46	181-184	0	38	86
Color Macro 14	53-56	255	93	182	Color Macro 47	185-188	0	142	208
Color Macro 15	57-60	255	96	236	Color Macro 48	189-192	52	148	209
Color Macro 16	61-64	238	93	255	Color Macro 49	193-196	1	134	204
Color Macro 17	65-68	196	87	255	Color Macro 50	197-200	0	145	212
Color Macro 18	69-72	150	90	255	Color Macro 51	201-204	0	121	192
Color Macro 19	73-76	100	77	255	Color Macro 52	205-208	0	129	184
Color Macro 20	77-80	77	100	255	Color Macro 53	209-212	0	83	115
Color Macro 21	81-84	67	148	255	Color Macro 54	213-216	0	97	166
Color Macro 22	85-88	77	195	255	Color Macro 55	217-220	1	100	167
Color Macro 23	89-92	77	234	255	Color Macro 56	221-224	0	40	86
Color Macro 24	93-96	158	255	144	Color Macro 57	225-228	209	219	182
Color Macro 25	97-100	255	251	153	Color Macro 58	229-232	42	165	85
Color Macro 26	101-104	255	175	147	Color Macro 59	233-236	0	46	35
Color Macro 27	105-108	255	138	186	Color Macro 60	237-240	8	107	222
Color Macro 28	109-112	255	147	251	Color Macro 61	241-244	255	0	0
Color Macro 29	113-116	151	138	255	Color Macro 62	245-248	0	255	0
Color Macro 30	117-120	99	0	255	Color Macro 63	249-252	0	0	255
Color Macro 31	121-124	138	169	255	Color Macro 64	253-255	255	255	255
Color Macro 32	128-128	61	4	167					

# PIXEL FLIP

## PIXEL FLIP 1

1	2	3	4	5	6	7	8	9	10	11	12	13	14	15	16
---	---	---	---	---	---	---	---	---	----	----	----	----	----	----	----

## PIXEL FLIP 2

16	15	14	13	12	11	10	9	8	7	6	5	4	3	2	1
----	----	----	----	----	----	----	---	---	---	---	---	---	---	---	---

# REMOTE DEVICE MANAGEMENT (RDM)

**NOTE: for RDM to work properly, RDM enabled equipment must be used throughout the entire system, including DMX data splitters and wireless systems.**

Remote Device Management (RDM) is a protocol that sits on top of the DMX512 data standard for lighting, allowing the DMX systems of the fixtures to be modified and monitored remotely. This protocol is ideal for instances in which a unit is installed in a location that is not easily accessible.

With RDM, the DMX512 system becomes bi-directional, allowing a compatible RDM enabled controller to send out a signal to devices on the wire, as well as allowing the fixture to respond (known as a GET command). The controller can then use its SET command to modify settings that would typically have to be changed or viewed directly via the unit's display screen, including the DMX Address, DMX Channel Mode, and Temperature Sensors.

## FIXTURE RDM INFORMATION:

RDM Code	Device ID	Device Model ID	Personality ID
1900	0000-FFFF	2410	5CH, 6CH, 9CH, 13CH, 22CH, 24CH, 96CH, 99CH, 114CH,

**Please be aware that not all RDM devices support all RDM features,** and therefore it is important to check beforehand to ensure that the equipment that you are considering includes all of the features that you require.

The following parameters are accessible in RDM on this device:

Parameter ID	Code
DISC_UNIQUE_BRANCH	0x0001
DISC_MUTE	0x0002
DISC_UN_MUTE	0x0003
SUPPORTED_PARAMATERS	0X0050
DEVICE_INFO	0x0060
MANUFACTURER_LABEL	0x0081
DEVICE_LABEL	0x0082
SOFTWARE_VERSION_LABEL	0x00C0
DMX_PERSONALITY	0x00E0
DMX_START_ADDRESS	0x00F0
SENSOR_VALUE	0x0201c
CURVE	0x0343
CURVE_DESCRIPTION	0x0344
IDENTIFY_DEVICE	0X1000
DMX_FAIL_MODE	0x0141

# CLEANING AND MAINTENANCE



**DISCONNECT POWER BEFORE PERFORMING ANY MAINTENANCE!**

## CLEANING

Frequent cleaning is recommended to ensure proper function, optimized light output, and an extended life. The frequency of cleaning depends on the environment in which the fixture operates: damp, smoky, or particularly dirty environments can cause greater accumulation of dirt on the fixture's optics. Clean the external lens surface periodically with a soft cloth to avoid dirt/debris accumulation.

**NEVER** use alcohol, solvents, or ammonia-based cleaners.

## MAINTENANCE

Regular inspections are recommended to ensure proper function and extended life. There are no user serviceable parts inside this fixture. Please refer all other service issues to an authorized ADJ service technician. Should you need any spare parts, please order genuine parts from your local ADJ dealer.

Please refer to the following points during routine inspections:

- A detailed electrical check by an approved electrical engineer every three months, to make sure the circuit contacts are in good condition and prevent overheating.
- Be sure all screws and fasteners are securely tightened at all times. Loose screws may fall out during normal operation, resulting in damage or injury as larger parts could fall.
- Check for any deformations on the housing, color lenses, rigging hardware, and rigging points (ceiling, suspension, trussing). Deformations in the housing could allow for dust or liquids to enter into the fixture. Damaged rigging points or unsecured rigging could cause fixture to fall and seriously injure a person(s).
- Electric power supply cables must not show any damage, material fatigue, or sediments.

**NEVER** remove the ground prong from the power cable.

# SPECIFICATIONS

## ElectraPix Bar 16 Pak Includes:

- (4) ElectraPix Bar 16 (Fixtures)
- (1) ElectraPix Bar 16 FC (Flight Case)
- (4) ElectraPix Bar 16 Charging Bases
- (1) UC-IR24 Wireless Infrared Controller
- (4) IP65 Locking Power Cable

## ElectraPix Bar 16 Pak Features:

- Houses / Transports and Charges (4) ElectraPix Bar 16™ fixtures

## ElectraPix Bar 16 Pak Dimensions / Weight (loaded case with 4 fixtures):

- Length: 56.8" (1443mm)
- Width: 19.6" (498.4mm)
- Vertical Height: 18.1" (459.9mm)
- Loaded Weight: 192 lbs. (87 kg)

## Flight Case Electrical / Thermal:

- Power Input: AC100VAC~240VAC, 50/60Hz
- IP65 Power Locking Input and Output
- Max Power Consumption: 400Watts
- Power Draw: 4A @ 120VAC or 2A @ 230VAC
- Charge status indicator
- 14°F to 113°F (-10°C to 45°C)

## ELECTRAPIX BAR 16 FIXTURE SPECIFICATIONS:

### Features:

- 16 Pixel, Hex Color LED (RGBAL+UV) LED Bar
- Battery or Wall Powered
- Up to 20 Hours of Battery Operation
- Individual Pixel Control
- Built-In Foreground LED Programs
- Built-In Background LED Programs
- Variable White Color Temperature Control (2,300K ~ 9,900K)
- English & Spanish User Menu
- Built-In Alarm
- Color Calibrated LED's
- User Selectable LED Refresh Rates (900Hz ~ 25K)
- 6 User Selectable Dim Modes
- 4 User Selectable Dim Curves
- Electronic Strobe (0.3Hz ~ 11Hz)
- Electronic Dimming

### Source:

- (16) 20W Hex Color RGBAL+UV Foreground LED's
- (66) 0.2W RGB Background LED's
- 50,000 Hour Average Life\*
- \*May vary depending on several factors including but not limited to: Environmental Conditions, Power/Voltage, Usage Patterns (On-Off Cycling), Control, and Dimming.

### Optical:

- 2,300K ~ 9,900K White Color Temperature Range
- 17° Beam Angle
- 45mm Lens Diameter x16

## Physical:

- IP65 Housing
- OLED Digital display
- L Track system for locking accessories / rigging
- Glare Shield
- Diffusion Filter slot
- Angle adjustable feet
- Horizontal slide lock to attach additional ElectraPix Bar 16 or ElectraPix Bar 8

## Control:

- DMX512
- Aria X2 Wireless DMX
- Bluetooth
- RDM and RDM Net Compatible
- IR (Includes UCIR24 wireless remote)
- (9) DMX Channel Modes (5, 6, 9,13, 21, 24, 96, 99 & 114 Channel modes)
- On-board Manual Control Mode
- Primary / Secondary Mode

## Connections:

- 5pin XLR Outdoor DMX In/Out Sockets (Must be used with STRxxx, 5pin DMX cables to create IP65 seal)
- Outdoor Locking Power Sockets
- Battery Charging Socket

## Dimensions & Weight:

- Length: 3.72" (94.5mm), Width: 45.6" (1158.7mm), Height: 10.6" (268.7mm)
- Weight: 26.9 lbs. (12.2 kg)

## Power:

- AC100-240V/50Hz-60Hz Input
- 90W Power Consumption
- Link 10 pieces @120VAC or 18 pieces @ 230VAC

## Battery:

- Rechargeable Lithium ion
- Battery Capacity: 14,000mAh
- Battery Voltage: 22.2V
- Charge Time, AC Power: 5.5 Hours (To Full)
- Charge Time, Flight Case: 5.5 Hours (to Full)
- Up to 20 Hours of Battery Operation
- Battery Cycles: 500

## Thermal:

- Ambient Operational Temperature: -4°F to 113°F (-20°C to 45°C)
- Storage Temperature: -22°F to 113°F (-30°C to 45°C)

## Certifications & IP Rating:

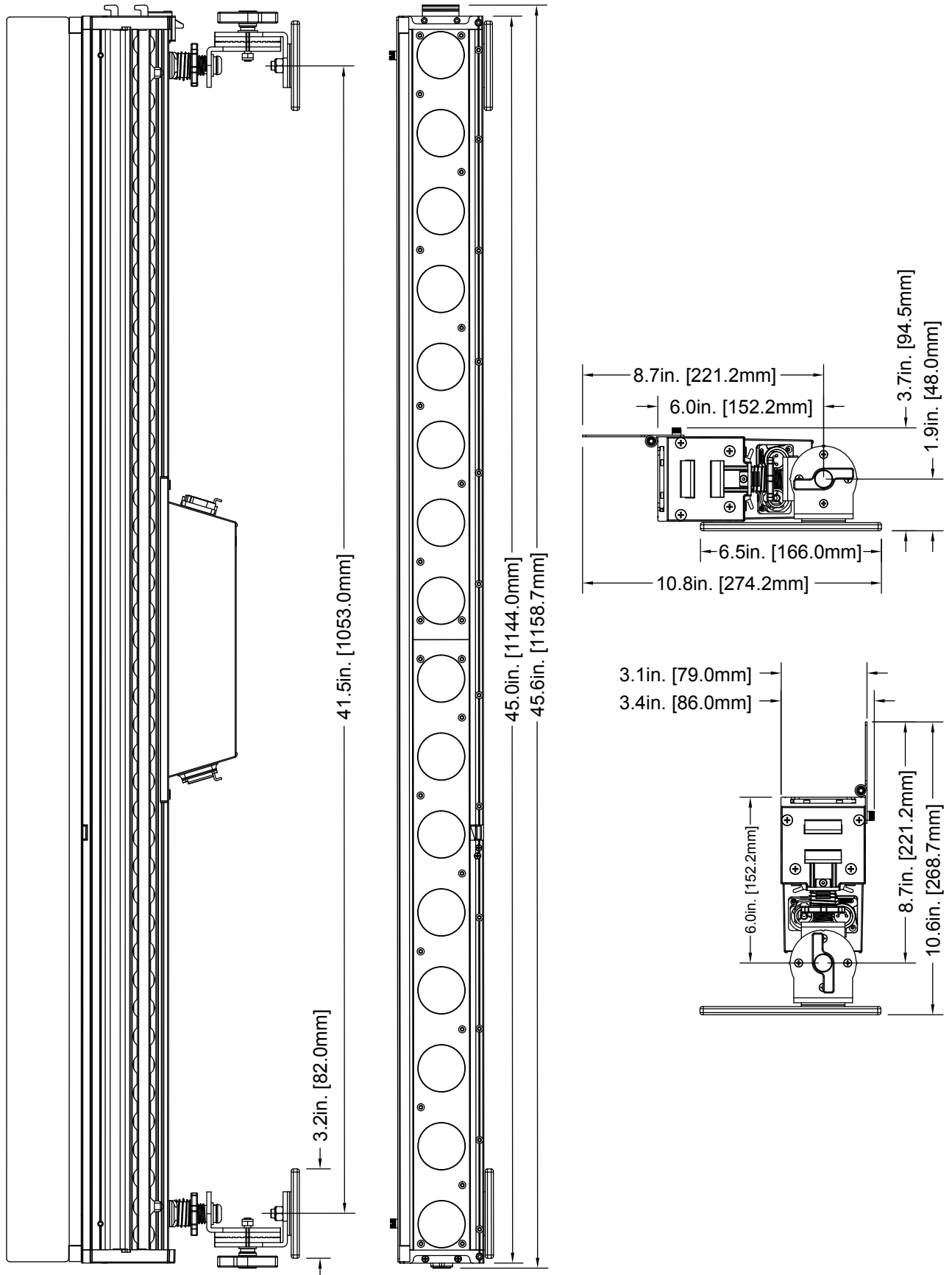
- CE
- cETLus (4002034)
- FCC
- IP65



# DIMENSIONS

Dimensions are not drawn to scale.

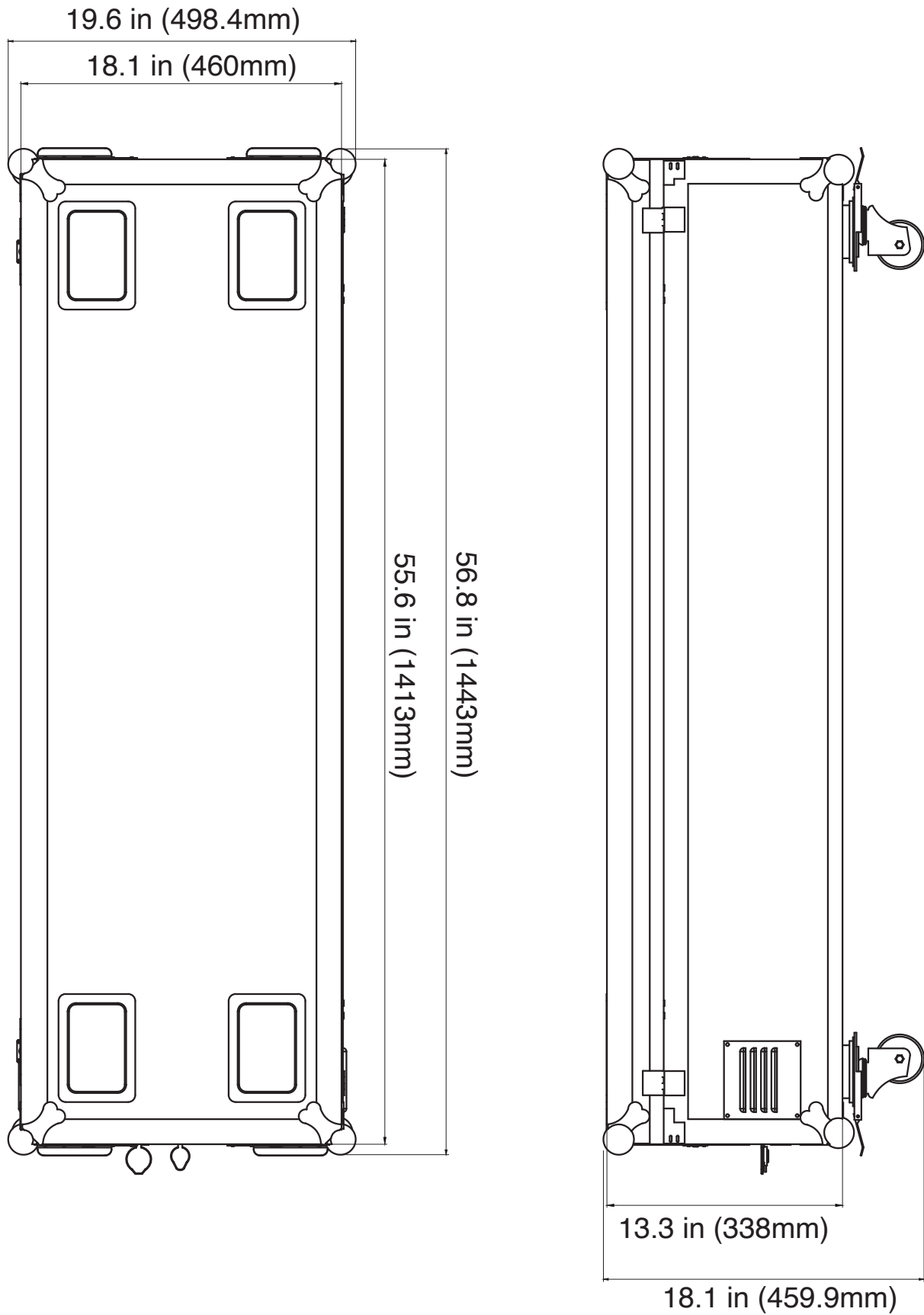
## FIXTURE



# DIMENSIONS

Dimensions are not drawn to scale.

## FLIGHT CASE



## OPTIONAL ACCESSORIES

ORDER CODE		ITEM
US	EU	
ELE160	1226100503	ElectraPix Bar 16
UC1024	810087371388	UCIR24 Remote
ACC111	810087372699	Accu Stand VFB1 (Floor Base)
LTR008	810087372552	LTrack A2 (LTrack Adapter Only)
LTR112	810087372576	LTrack CA2 (LTrack Adapter with Narrow Clamp)
PENDING	PENDING	EPIX B816 IPCB: replacement charging base & power supply
TRIGGER CLAMP	N/A	Heavy Duty Wrap Around Hook Style Clamp
AC5PDMX5PRO	N/A	5 ft. (1.5m) 5pin PRO DMX Cable
		Additional Cable Lengths Available



### FCC STATEMENT

This device complies with Part 15 of the FCC Rules. Operation is subject to the following two conditions: (1) this device may not cause harmful interference, and (2) this device must accept any interference received, including interference that may cause undesired operation.

### FCC RADIO FREQUENCY INTERFERENCE WARNINGS & INSTRUCTIONS

Please note that changes or modifications to this product that are not expressly approved by the party responsible for compliance could void the user's authority to operate this equipment.

NOTE: This equipment has been tested and found to comply with the limits for a Class A digital device, pursuant to Part 15 of the FCC Rules. These limits are designed to provide reasonable protection against harmful interference when the equipment is operated in a commercial environment. This equipment generated, uses, and can radiate radio frequency energy and, if not installed and used in accordance with the instructions in this manual, may cause harmful interference to radio communications. Operation of this equipment in a residential area is likely to cause harmful interference, in which case the user will be required to correct the interference at his own expense.

### Energy Saving Matters (EuP 2009/125/EC)

Saving electric energy is a key to help protecting the environment. Please turn off all electrical products when they are not in use. To avoid power consumption in idle mode, disconnect all electrical equipment from power when not in use. Thank you!



*This page intentionally left blank.*

