

# ADJ VIZI WASH Z37

User Manual

©2022 ADJ Products, LLC all rights reserved. Information, specifications, diagrams, images, and instructions herein are subject to change without notice. ADJ Products, LLC logo and identifying product names and numbers herein are trademarks of ADJ Products, LLC. Copyright protection claimed includes all forms and matters of copyrightable materials and information now allowed by statutory or judicial law or hereinafter granted. Product names used in this document may be trademarks or registered trademarks of their respective companies and are hereby acknowledged. All non-ADJ Products, LLC brands and product names are trademarks or registered trademarks of their respective companies.

**ADJ Products, LLC** and all affiliated companies hereby disclaim any and all liabilities for property, equipment, building, and electrical damages, injuries to any persons, and direct or indirect economic loss associated with the use or reliance of any information contained within this document, and/or as a result of the improper, unsafe, insufficient and negligent assembly, installation, rigging, and operation of this product.

### **ADJ PRODUCTS LLC World Headquarters**

6122 S. Eastern Ave. | Los Angeles, CA 90040 USA

Tel: 800-322-6337 | Fax: 323-582-2941 | [www.adj.com](http://www.adj.com) | [lsupport@adj.com](mailto:lsupport@adj.com)

### **ADJ Supply Europe B.V.**

Junostraat 2 | 6468 EW Kerkrade | Netherlands

Tel: +31 45 546 85 00 | Fax: +31 45 546 85 99 | [www.americandj.eu](http://www.americandj.eu) | [service@americandj.eu](mailto:service@americandj.eu)

### Europe Energy Saving Notice

Energy Saving Matters (EuP 2009/125/EC)

Saving electric energy is a key to help protecting the environment. Please turn off all electrical products when they are not in use. To avoid power consumption in idle mode, disconnect all electrical equipment from power when not in use. Thank you!

### **DOCUMENT VERSION**



Due to additional product features and/or enhancements, an updated version of this document may be available online.

Please check [www.adj.com](http://www.adj.com) for the latest revision/update of this manual before beginning installation and/or programming.

Date	Document Version	Software Version	DMX Channels	Notes
10/09/19	1	1.0	14/16/17/71	Initial Release
12/19/19	1.2	1.3	14/15/17/18/72	DMX Channel Modes Updated
10/21/20	1.3	1.5	14/15/17/18/38/72	DMX Channel Modes Updated
04/28/21	1.4	N/C	No Change	Updated Specifications and Dimensional Drawings
05/10/22	1.6	2.1	14/15/17/18/19/38/39/72/73	Update DMX Traits
11/04/22	1.7	N/C	No Change	Updated Specifications

# CONTENTS

General Information	4
Limited Warranty (USA Only)	5
Safety Guidelines	6
Maintenance Guidelines	9
Fixture Overview	10
Color Macro Chart	11
Installation Guidelines	12
DMX Set Up	15
DMX Addressing	16
System Menu	17
Target Modes	27
RGBW Lighting Partition	28
Dimmer Mode Graphs	29
DMX Traits: Channel Functions & Values	30
Error Codes	38
Specifications	39

# GENERAL INFORMATION

## INTRODUCTION

Please read and understand the instructions in this manual carefully and thoroughly before attempting to operate this device. These instructions contain important safety and use information.

**This product is intended for use by professionally trained personnel only, and is not suitable for private use.**

## Unpacking

Every device has been thoroughly tested and has been shipped in perfect operating condition. Carefully check the shipping carton for damage that may have occurred during shipping. If the carton is damaged, carefully inspect the device for damage, and be sure all accessories necessary to install and operate the device have arrived intact. In the event damage has been found or parts are missing, please contact our customer support team for further instructions. Please do not return this device to your dealer without first contacting customer support. Please do not discard the shipping carton in the trash. Please recycle whenever possible.

## BOX CONTENTS

Omega Brackets  
1.83M locking power cable

## CUSTOMER SUPPORT

Contact ADJ Service for any product related service and support needs. Also visit [forums.adj.com](http://forums.adj.com) with questions, comments or suggestions.

**ADJ SERVICE USA** - Monday - Friday 8:00am to 4:30pm PST  
323-582-2650 | Fax: 323-832-2941 | [support@adj.com](mailto:support@adj.com)

**ADJ SERVICE EUROPE** - Monday - Friday 08:30 to 17:00 CET  
+31 45 546 85 60 | Fax: +31 45 546 85 96 | [support@adj.eu](mailto:support@adj.eu)

**REPLACEMENT PARTS** please visit [parts.adj.com](http://parts.adj.com)



## IMPORTANT NOTICE!

**THERE ARE NO USER SERVICEABLE PARTS INSIDE THIS UNIT. DO NOT ATTEMPT ANY REPAIRS YOURSELF; DOING SO WILL VOID YOUR MANUFACTURER'S WARRANTY. DAMAGES RESULTING FROM MODIFICATIONS TO THIS FIXTURE AND/OR THE DISREGARD OF SAFETY INSTRUCTIONS AND GUIDELINES IN THIS MANUAL VOID THE MANUFACTURER'S WARRANTY AND ARE NOT SUBJECT TO WARRANTY CLAIMS AND/OR REPAIRS.**

# LIMITED WARRANTY (USA ONLY)

- A. ADJ Products, LLC hereby warrants, to the original purchaser, ADJ Products, LLC products to be free of manufacturing defects in material and workmanship for a prescribed period from the date of purchase (see specific warranty period on reverse). This warranty shall be valid only if the product is purchased within the United States of America, including possessions and territories. It is the owner's responsibility to establish the date and place of purchase by acceptable evidence, at the time service is sought.
- B. For warranty service, you must obtain a Return Authorization number (RA#) before sending back the product-please contact ADJ Products, LLC Service Department at 800-322-6337. Send the product only to the ADJ Products, LLC factory. All shipping charges must be pre-paid. If the requested repairs or service (including parts replacement) are within the terms of this warranty, ADJ Products, LLC will pay return shipping charges only to a designated point within the United States. If the entire instrument is sent, it must be shipped in its original package. No accessories should be shipped with the product. If any accessories are shipped with the product, ADJ Products, LLC shall have no liability whatsoever for loss of or damage to any such accessories, or for the safe return thereof.
- C. This warranty is void if the serial number has been altered or removed; if the product is modified in any manner which ADJ Products, LLC concludes, after inspection, affects the reliability of the product, if the product has been repaired or service by anyone other than ADJ Products, LLC factory unless prior written authorization was issued to purchaser by ADJ Products, LLC; if the product is damaged because not properly maintained as set forth in the instruction manual.
- D. This is not a service contract, and this warranty does not include maintenance, cleaning or periodic check up. During the period specified above, ADJ Products, LLC will replace defective parts at its expense with new or refurbished parts, and will absorb all expenses for warranty service and repair labor by reason of defects in material or workmanship. The sole responsibility of ADJ Products, LLC under this warranty shall be limited to the repair of the product, or replacement thereof, including parts, at the sole discretion of ADJ Products, LLC. All products covered by this warranty were manufactured after August 15, 2012, and bear identifying marks to that effect.
- E. ADJ Products, LLC reserves the right to make changes in design and/or improvements upon its products without any obligation to include these changes in any products theretofore manufactured.
- F. No warranty, whether expressed or implied, is given or made with respect to any accessory supplied with products described above. Except to the extent prohibited by applicable law, all implied warranties made by ADJ Products, LLC in connection with this product, including warranties of merchantability or fitness, are limited in duration to the warranty period set forth above. And no warranties, whether expressed or implied, including warranties of merchantability or fitness, shall apply to this product after said period has expired. The consumer's and/or Dealer's sole remedy shall be such repair or replacement as is expressly provided above; and under no circumstances shall ADJ Products, LLC be liable for any loss or damage, direct or consequential, arising out of the use of, or inability to use, this product.
- G. This warranty is the only written warranty applicable to ADJ Products, LLC Products and supersedes all prior warranties and written descriptions of warranty terms and conditions heretofore published.

## LIMITED WARRANTY PERIODS

- **Non L.E.D. Lighting Products = 1-year (365 days) Limited Warranty** (Such as: Special Effect Lighting, Intelligent Lighting, UV lighting, Strobes, Fog Machines, Bubble Machines, Mirror Balls, Par Cans, Trussing, Lighting Stands etc. excluding LED and lamps)
- **Laser Products = 1 Year (365 Days) Limited Warranty** (excludes laser diodes which have 6 month limited warranty)
- **L.E.D. Products = 2-year (730 days) Limited Warranty** (excluding batteries which have a 180 day limited warranty)  
Note: 2 Year Warranty only applies to purchases within the United States.
- **StarTec Series = 1 Year Limited Warranty** (excluding batteries which have a 180 day limited warranty)
- **ADJ DMX Controllers = 2 Year (730 Days) Limited Warranty**

# SAFETY GUIDELINES

This device is a sophisticated piece of electronic equipment. To guarantee a smooth operation, it is important to follow all instructions and guidelines in this manual. ADJ PRODUCTS, LLC. is not responsible for injury and/or damages resulting from the misuse of this device due to the disregard of the information printed in this manual. Only the original included parts and/or accessories for this device should be used. Any modifications to the device, included and/or accessories will void the original manufactures warranty and increase the risk of damage and/or personal injury.

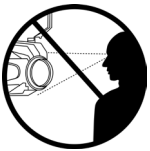


**PROTECTION CLASS 1 - FIXTURE MUST BE PROPERLY GROUNDED**

**THERE ARE NO USER SERVICEABLE PARTS INSIDE THIS UNIT. DONOTATTEMPTANYREPAIRSYOURSELF; DOINGSO WILL VOIDYOURMANUFACTURER'S WARRANTY. DAMAGES RESULTING FROM MODIFICATIONS TO THIS FIXTURE AND/OR THE DISREGARD OF SAFETY INSTRUCTIONS AND GUIDELINES IN THIS MANUAL VOID THE MANUFACTURE'S WARRANTY AND ARE NOT SUBJECT TO ANY WARRANTY CLAIMS AND/OR REPAIRS.**



**DO NOT PLUG FIXTURE INTO A DIMMER PACK!  
NEVER OPEN THIS FIXTURE WHILE IN USE!  
UNPLUG POWER BEFORE SERVICING FIXTURE!  
NEVER TOUCH FIXTURE DURING OPERATION, AS IT MAY BE HOT!  
KEEP FLAMMABLE MATERIALS AWAY FROM FIXTURE!**



**NEVER LOOK DIRECTLY INTO THE LIGHT SOURCE!  
RETINA INJURY RISK - MAY INDUCE BLINDNESS!  
SENSITIVE PERSONS MAY SUFFER AN EPILEPTIC SHOCK!**



**INDOOR / DRY LOCATIONS USE ONLY!  
DO NOT EXPOSE FIXTURE TO RAIN AND MOISTURE!**



**MINIMUM DISTANCE TO OBJECTS SURFACES MUST BE 4.9 FEET (1.5 METERS)  
MAXIMUM TEMP OF EXTERNAL SURFACE 185°F (85°C)  
MINIMUM DISTANCE OF INFLAMMABLE MATERIALS  
FROM THE SURFACE .7 FEET (0.2 METERS)**

# SAFETY GUIDELINES

**DO NOT TOUCH** the fixture housing during operation. Turn OFF the power and allow approximately 15-minutes for the fixture to cool down before serving.

**DO NOT** shake fixture, avoid brute force when installing and/or operating fixture.

**DO NOT** operate fixture if the power cord is frayed, crimped, damaged and/or if any of the power cord connectors are damaged and do not insert into the fixture securely with ease. NEVER force a power cord connector into the fixture. If the power cord or any of its connectors are damaged, replace it immediately with a new one of similar power rating.

**DO NOT** block any air ventilation slots.

All fan and air inlets must remain clean and never blocked.

Allow approx. 7.9" (20cm) between fixture and other devices or a wall for proper cooling.

When installing fixture in a suspended environment, always use mounting hardware that is no less than M10 x 25 mm, and always install fixture with an appropriately rated safety cable.

Always disconnect fixture from main power source before performing any type of service and/or cleaning procedure. Only handle the power cord by the plug end, never pull out the plug by tugging the wire portion of the cord.

During the initial operation of this fixture, a light smoke or smell may emit from the interior of the fixture. This is a normal process and is caused by excess paint in the interior of the casing burning off from the heat associated with the lamp and will decrease gradually over time.

Consistent operational breaks will ensure fixture will function properly for many years.

**ONLY** Use original packaging and materials to transport the fixture in for service.

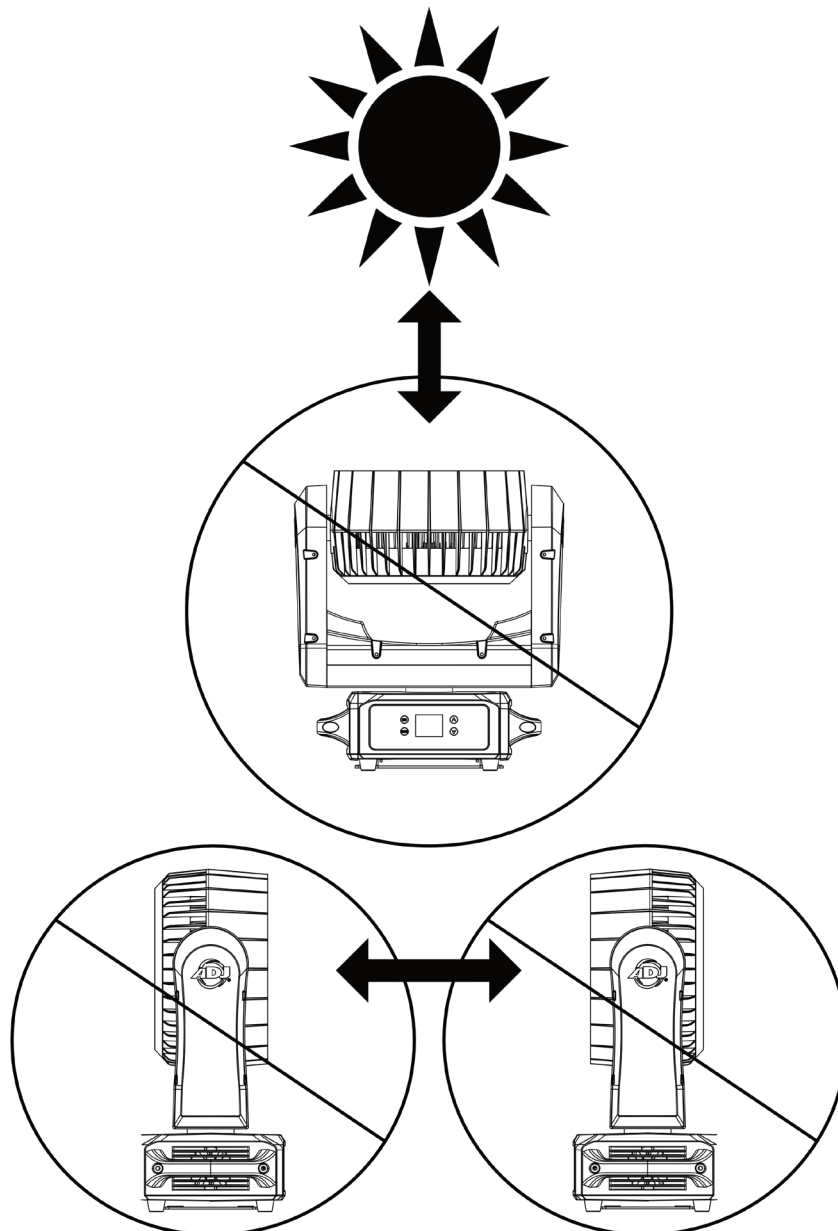
# SAFETY GUIDELINES

## POTENTIAL INTERNAL FIXTURE DAMAGE FROM EXTERNAL SOURCES OF LIGHT BEAMS

External sources of light beams from direct sunlight, lighting moving head fixtures, and lasers, which are focused directly towards the exterior housing and/or penetrate the front lens opening of ADJ lighting fixtures, can cause severe internal damage including burning to optics, dichroic color filters, glass and metal gobos, prisms, animation wheels, frost filters, iris, shutters, motors, belts, wiring, discharge lamps, and LEDs.

This issue is not specific to ADJ lighting fixtures, it is a common issue with lighting fixtures from all manufacturers. Although there is no true way to fully prevent this issue from happening, the following guidelines can prevent any potential damage from occurring if followed. Contact ADJ Service for more details.

**DO NOT EXPOSE THE FIXTURE AND/OR FRONT LENS OPENING TO LIGHT BEAMS FROM DIRECT SUNLIGHT, OTHER LIGHTING MOVING HEAD FIXTURES, AND LASERS WHILE UNPACKING, INSTALLATION, USE, AND EXTENDED IDLE TIMES OUTDOORS. DO NOT FOCUS A LIGHT BEAM FROM ONE LIGHTING FIXTURE DIRECTLY TOWARDS ANOTHER.**





# MAINTENANCE GUIDELINES



**DISCONNECT POWER BEFORE PERFORMING ANY MAINTENANCE!**

## CLEANING

Frequent cleaning is recommended to ensure proper function, optimized light output, and an extended life. The frequency of cleaning depends on the environment in which the fixture operates: damp, smoky, or particularly dirty environments can cause greater accumulation of dirt on the fixture's optics. Clean the external lens surface periodically with a soft cloth to avoid dirt/debris accumulation.

**NEVER** use alcohol, solvents, or ammonia-based cleaners.

## MAINTENANCE

Regular inspections are recommended to ensure proper function and extended life.

There are no user serviceable parts inside this fixture, please refer all other service issues to an authorized ADJ service technician. Should you need any spare parts, please order genuine parts from your local ADJ dealer.

Please refer to the following points during routine inspections:

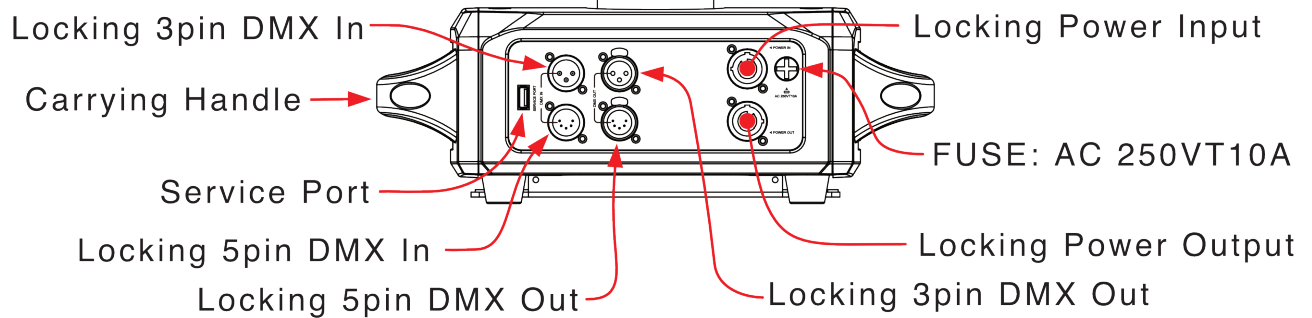
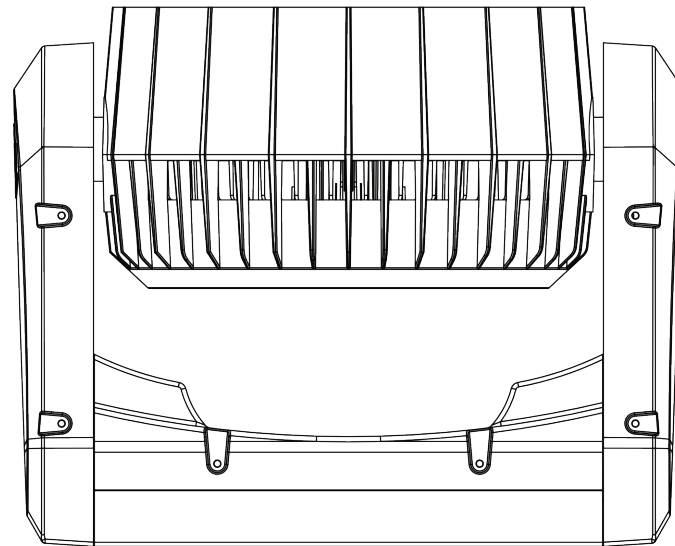
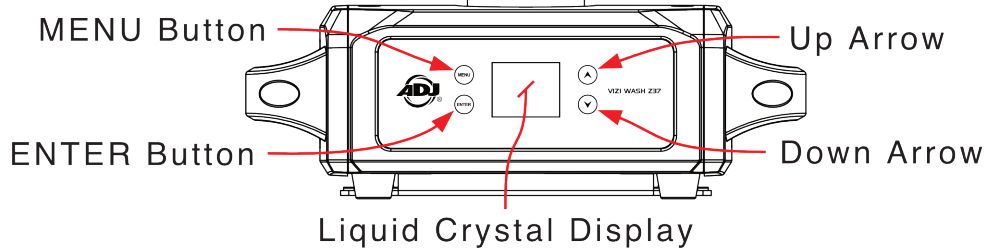
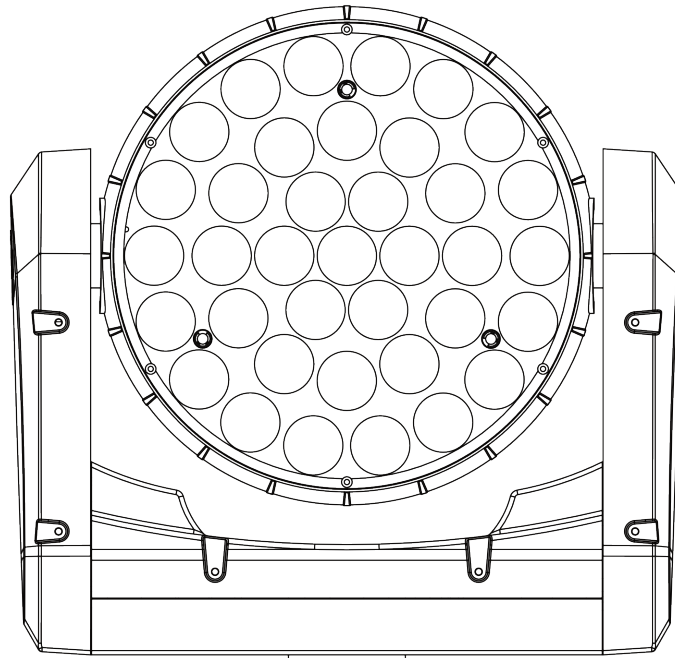
- A detailed electrical check by an approved electrical engineer every three months, to make sure the circuit contacts are in good condition in order to prevent overheating.
- Be sure all screws and fasteners are securely tightened at all times. Loose screws may fall out during normal operation, resulting in damage or injury as larger parts could fall.
- Check for any deformations on the housing, color lenses, rigging hardware, and rigging points (ceiling, suspension, trussing). Deformations in the housing could allow for dust or liquids to enter into the fixture. Damaged rigging points or unsecured rigging could cause fixture to fall and seriously injure a person(s).
- Electric power supply cables must not show any damage, material fatigue, or sediments.
- **NEVER** remove the ground prong from the power cable.

## FIXTURE DISASSEMBLY

The following points should be observed after performing any maintenance procedure that requires disassembly of the unit:

- After the unit has been reassembled, open the valve, and allow the light to run for approximately 2 hours to dry out any moisture that has been trapped inside the fixture. The process should continue until indicated humidity drops below 15% for the head and 30% for the base.
- Once this has been achieved, the light can be switched off, but the unit should remain connected to power so that the cooling fan can cool down the unit. Please note that allowing cool down time should **ALWAYS** be done after lamp operation.
- Some units may require partial disassembly in order to gain access to the valve. Please contact Elation service for information regarding the location and access procedure for the valve on your specific unit model.

# FIXTURE OVERVIEW



# COLOR MACRO CHART

Color	DMX Value	RGBW COLOR INTENSITY				Color	DMX Value	RGBW COLOR INTENSITY			
		RED	GREEN	BLUE	W/A			RED	GREEN	BLUE	WHITE
Off	0	0	0	0	0	Color Macro 33	129-132	255	206	143	0
Color Macro 1	1-4	80	255	234	80	Color Macro 34	133-136	254	177	153	0
Color Macro 2	5-8	80	255	164	80	Color Macro 35	137-140	254	192	138	0
Color Macro 3	9-12	77	255	112	77	Color Macro 36	141-144	254	165	98	0
Color Macro 4	13-16	117	255	83	83	Color Macro 37	145-148	254	121	0	0
Color Macro 5	17-20	160	255	77	77	Color Macro 38	149-152	176	17	0	0
Color Macro 6	21-24	223	255	83	83	Color Macro 39	153-156	96	0	11	0
Color Macro 7	25-28	255	243	77	77	Color Macro 40	157-160	234	139	171	0
Color Macro 8	29-32	255	200	74	74	Color Macro 41	161-164	224	5	97	0
Color Macro 9	33-36	255	166	77	77	Color Macro 42	165-168	175	77	173	0
Color Macro 10	37-40	255	125	74	74	Color Macro 43	169-172	119	130	199	0
Color Macro 11	41-44	255	97	77	71	Color Macro 44	173-176	147	164	212	0
Color Macro 12	45-48	255	74	77	71	Color Macro 45	177-180	88	2	163	0
Color Macro 13	49-52	255	83	134	83	Color Macro 46	181-184	0	38	86	0
Color Macro 14	53-56	255	93	182	93	Color Macro 47	185-188	0	142	208	0
Color Macro 15	57-60	255	96	236	96	Color Macro 48	189-192	52	148	209	0
Color Macro 16	61-64	238	93	255	93	Color Macro 49	193-196	1	134	204	0
Color Macro 17	65-68	163	87	255	87	Color Macro 50	197-200	0	145	212	0
Color Macro 18	69-72	150	90	255	90	Color Macro 51	201-204	0	121	192	0
Color Macro 19	73-76	100	77	255	77	Color Macro 52	205-208	0	129	184	0
Color Macro 20	77-80	77	100	255	77	Color Macro 53	209-212	0	83	115	0
Color Macro 21	81-84	67	148	255	67	Color Macro 54	213-216	0	97	166	0
Color Macro 22	85-88	77	195	255	77	Color Macro 55	217-220	1	100	167	0
Color Macro 23	89-92	77	234	255	77	Color Macro 56	221-224	0	40	86	0
Color Macro 24	93-96	158	255	144	144	Color Macro 57	225-228	209	219	182	0
Color Macro 25	97-100	255	251	153	153	Color Macro 58	229-232	42	165	85	0
Color Macro 26	101-104	255	175	147	147	Color Macro 59	233-236	0	46	35	0
Color Macro 27	105-108	255	138	186	138	Color Macro 60	237-240	8	107	222	0
Color Macro 28	109-112	255	147	251	147	Color Macro 61	241-244	255	0	0	0
Color Macro 29	113-116	151	135	255	138	Color Macro 62	245-248	0	255	0	0
Color Macro 30	117-120	99	0	255	100	Color Macro 63	249-252	0	0	255	0
Color Macro 31	121-124	138	169	255	138	Color Macro 64	253-255	0	0	0	255
Color Macro 32	128-128	255	255	255	255						

# INSTALLATION GUIDELINES



## FLAMMABLE MATERIAL WARNING

Keep fixture minimum 0.7 feet (0.2m) away from flammable materials and/or pyrotechnics.



## ELECTRICAL CONNECTIONS

A qualified electrician should be used for all electrical connections and/or installations.



**USE CAUTION WHEN POWER LINKING OTHER MODEL FIXTURES AS THE POWER CONSUMPTION OF OTHER MODEL FIXTURES MAY EXCEED THE MAX POWER OUTPUT ON THIS FIXTURE. CHECK SILK SCREEN FOR MAX AMPS.**



**MINIMUM DISTANCE TO OBJECTS/SURFACES  
MUST BE 4.9 FEET (1.5 METERS)**



**MINIMUM DISTANCE OF INFLAMMABLE MATERIALS  
FROM THE SURFACE 0.7 FEET (0.2 METER)**



**MAXIMUM TEMPERATURE OF EXTERNAL SURFACE 185° F (85°C)**

## DO NOT INSTALL THE FIXTURE IF YOU ARE NOT QUALIFIED TO DO SO!

Fixture **MUST** be installed following all local, national, and country commercial electrical and construction codes and regulations.

Before rigging/mounting a single fixture or multiple fixtures to any metal truss/structure or placing the fixture(s) on any surface, a professional equipment installer **MUST** be consulted to determine if the metal truss/structure or surface is properly certified to safely hold the combined weight of the fixture(s), clamps, cables, and accessories.

Fixture ambient operating temperature range is **0° to 104°F. (0° to 40°C)**.

Do not Use fixture under or above this temperature.

Fixture(s) should be installed in areas outside walking paths, seating areas, or away from areas where unauthorized personnel might reach the fixture by hand.

**NEVER** stand directly below the fixture(s) when rigging, removing or servicing.

Overhead fixture installation must always be secured with a secondary safety attachment, such as an appropriately rated safety cable.

Allow approximately 15 minutes for the fixture to cool down before servicing.

## RIGGING

Overhead rigging requires extensive experience, including among others calculating working load limits, installation material being used, and periodic safety inspection of all installation material and the fixture. If you lack these qualifications, do not attempt the installation yourself. Improper installation can result in bodily injury.

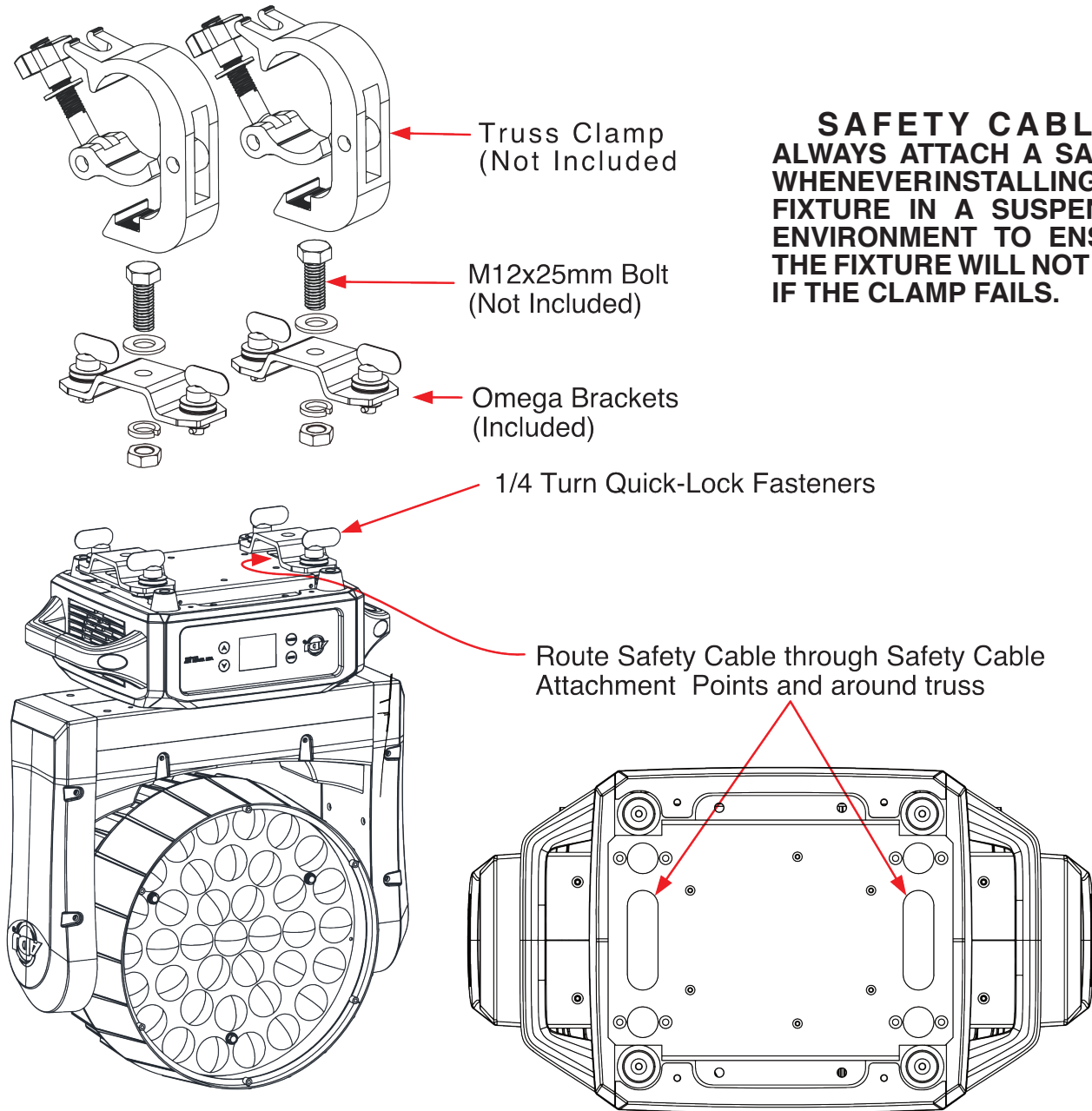


**ALWAYS ATTACH AN APPROPRIATELY RATED SAFETY CABLE (NOT INCLUDED) THAT MEETS ALL LOCAL, NATIONAL, AND COUNTRY CODES AND REGULATIONS WHENEVER INSTALLING FIXTURE IN A SUSPENDED ENVIRONMENT!**

# INSTALLATION GUIDELINES

## OMEGA BRACKETS INSTALLATION

Insert the Omega Brackets into the matching holes on the bottom of the fixture. Secure the Omega Brackets to the fixture by turning each quick-lock fastener ¼ turn clockwise; making sure the fastener is completely locked. Omega Brackets can be installed into the fixture base as illustrated below.



**SAFETY CABLE  
ALWAYS ATTACH A SAFETY  
WHENEVER INSTALLING THIS  
FIXTURE IN A SUSPENDED  
ENVIRONMENT TO ENSURE  
THE FIXTURE WILL NOT FALL  
IF THE CLAMP FAILS.**

## CLAMP INSTALLATION

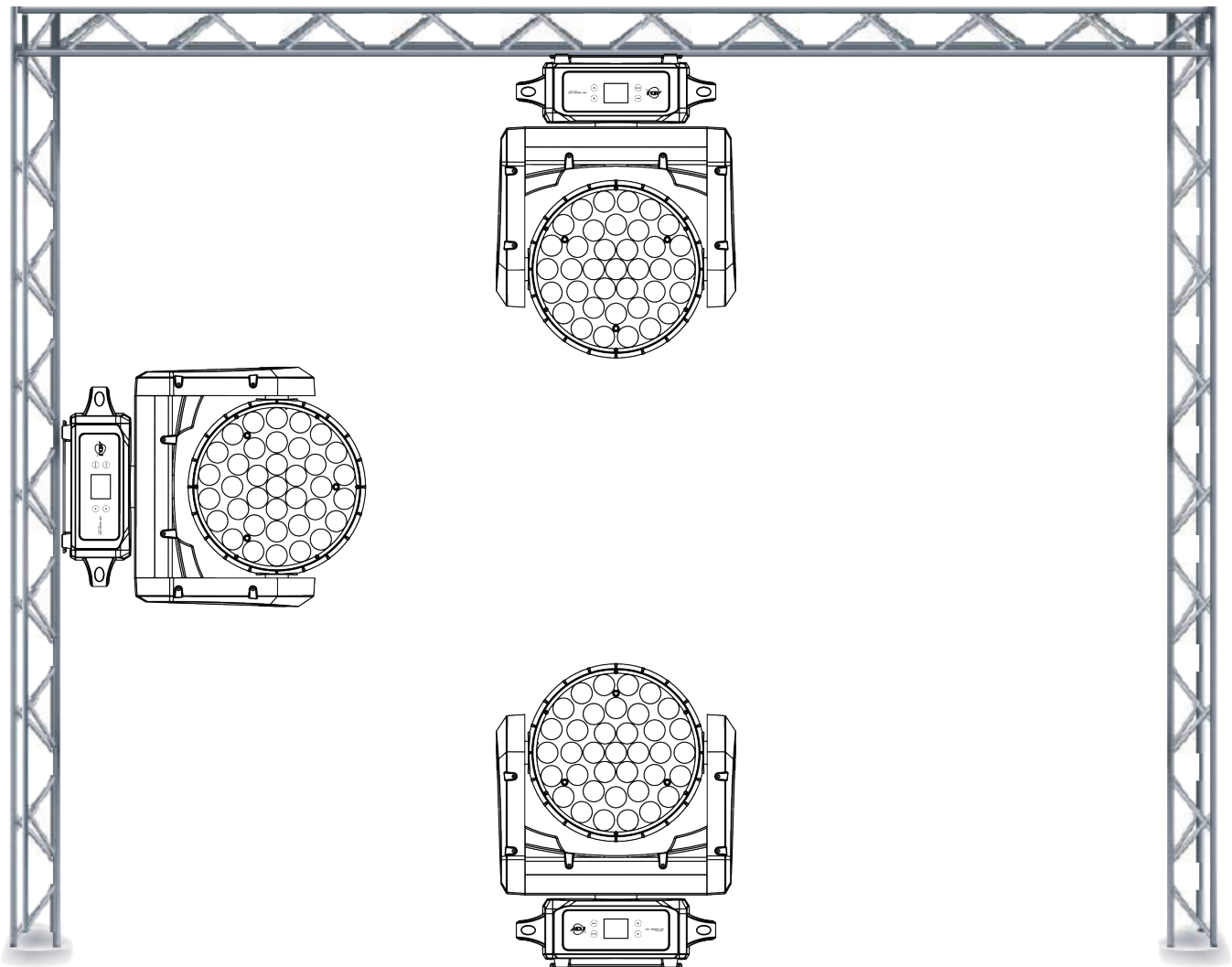
When mounting fixture to truss, be sure to secure an appropriately rated professional grade rigging clamp to the included **Omega Brackets** using an M12 screw fitted through the center hole of the **Omega Brackets**. The fixture provides built-in rigging points for a **SAFETY CABLE** (not included). Be sure to only use one of the designated rigging points for the safety cable and never secure a safety cable to a carrying handle.

# INSTALLATION GUIDELINES

## RIGGING

Overhead rigging requires extensive experience, including among others, calculating working load limits, installation material being used, and periodic safety inspection of all installation material and the fixture. If you lack these qualifications, do not attempt the installation yourself. Improper installation can result in bodily injury.

This fixture is designed to be mounted vertically (hanging or upright), or horizontally (perpendicular to vertical axis) only.



# DMX SETUP

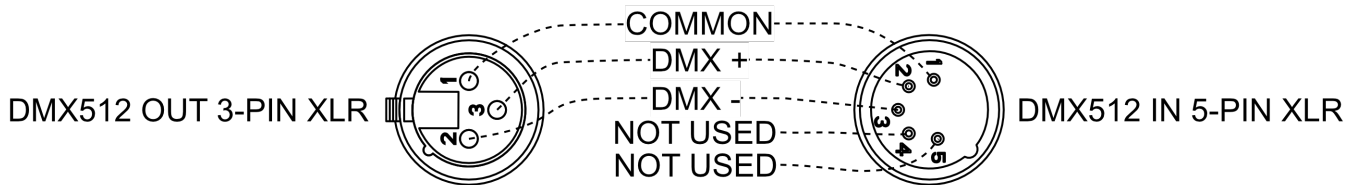
**DMX-512:** DMX is short for Digital Multiplex. This is a universal protocol used as a form of communication between intelligent fixtures and controllers. A DMX controller sends DMX data instructions from the controller to the fixture. DMX data is sent as serial data that travels from fixture to fixture via the DATA “IN” and DATA “OUT” XLR terminals located on all DMX fixtures (most controllers only have a DATA “OUT” terminal).

**DMX Linking:** DMX is a language allowing all makes and models of different manufactures to be linked together and operate from a single controller, as long as all fixtures and the controller are DMX compliant. To ensure proper DMX data transmission, when using several DMX fixtures try to use the shortest cable path possible. The order in which fixtures are connected in a DMX line does not influence the DMX addressing. For example; a fixture assigned a DMX address of 1 may be placed anywhere in a DMX line, at the beginning, at the end, or anywhere in the middle. When a fixture is assigned a DMX address of 1, the DMX controller knows to send DATA assigned to address 1 to that unit, no matter where it is located in the DMX chain.

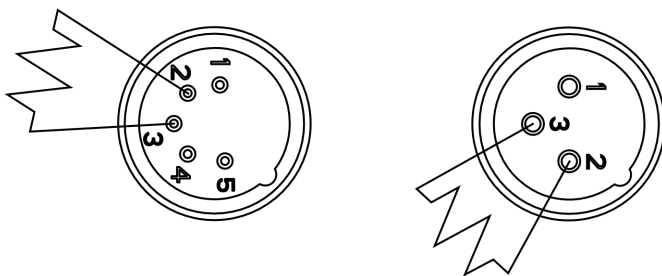
**Data Cable (DMX Cable) Requirements (For DMX Operation):** The Focus Flex can be controlled via DMX-512 protocol. Your unit and your DMX controller requires a 5-pin XLR connector for data input/output. We recommend Accu-Cable DMX cables. If you are making your own cables, be sure to use standard 110-120 Ohm shielded cable (This cable may be purchased at almost all pro lighting stores). Your cables should be made with a male and female XLR connector on either end of the cable. Also remember that DMX cable must be daisy chained and cannot be split.



**Notice:** Be sure to follow figures two and three when making your own cables. Do not use the ground lug on the XLR connector. Do not connect the cable’s shield conductor to the ground lug or allow the shield conductor to come in contact with the XLR’s outer casing. Grounding the shield could cause a short circuit and erratic behavior.



3-Pin XLR to 5-Pin XLR Conversion		
Ground/Shield	Pin 1	Pin 1
Data Compliment (- signal)	Pin 2	Pin 2
Data True (+ signal)	Pin 3	Pin 3
Not Used		Do Not Use
Not Used		Do Not Use



A DMX512 terminator reduces signal errors, avoiding most signal reflection interference. Connect PIN 2 (DMX-) and PIN 3 (DMX+) of the last fixture in series with a 120 Ohm, 1/4 W Resistor to terminate the DMX512.

**Special Note: Line Termination.** When longer runs of cable are used, you may need to use a terminator on the last unit to avoid erratic behavior. A terminator is a 110-120 ohm 1/4 watt resistor which is connected between pins 2 and 3 of a male XLR connector (DATA + and DATA -). This unit is inserted in the female XLR connector of the last unit in your daisy chain to terminate the line. Using a cable terminator (ADJ part number Z-DMX/T) will decrease the possibilities of erratic behavior.

## DMX ADDRESSING

All fixtures should be given a DMX starting address when using a DMX controller, so the correct fixture responds to the correct control signal. This digital starting address is the channel number from which the fixture starts to “listen” to the digital control signal sent out from the DMX controller. The assignment of this starting DMX address is achieved by setting the correct DMX address on the digital control display on the fixture.

You can set the same starting address for all fixtures or a group of fixtures, or set different addresses for each individual fixture. Setting all fixtures to the same DMX address will cause all fixtures to react in the same way, in other words, changing the settings of one channel will affect all the fixtures simultaneously.

If you set each fixture to a different DMX address, each unit will start to “listen” to the channel number you have set, based on the quantity of DMX channels of each fixture. That means changing the settings of one channel will only affect the selected fixture.

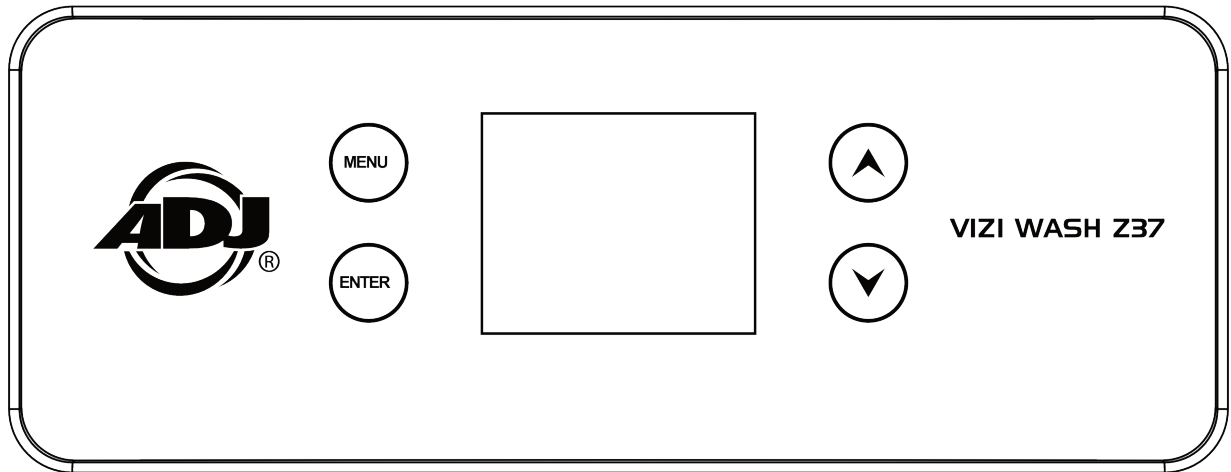
In the case of the Vizi Wash Z37, when in 14 Channel Mode, you should set the starting DMX address of the first unit to 1, the second unit to 15 (14 + 1), the third unit to 29 (15 + 14), and so on.

Channel Mode	Unit 1 Address	Unit 2 Address	Unit 3 Address	Unit 4 Address
14 Channels	1	15	29	43
15 Channels	1	16	31	46
17 Channels	1	18	35	52
18 Channels	1	19	37	55
19 Channels	1	20	39	58
38 Channels	1	39	77	115
39 Channels	1	40	79	118
72 Channels	1	73	145	217
73 Channels	1	74	147	220



# SYSTEM MENU

The fixture includes an easy to navigate system menu control panel display where all necessary settings and adjustments are made. (See image below) During normal operation, pressing the **MENU** button once will access the fixture's main menu. Once in the main menu, you can navigate through the different functions and access the sub-menus with the **UP** and **DOWN** buttons. When you reach a field that requires adjusting, press the **ENTER** button to access that field and use the **UP** and **DOWN** buttons to adjust the field. Pressing the **ENTER** button once more will confirm your setting. You may exit the main menu at any time without making any adjustments by pressing the **MENU** button.



# SYSTEM MENU

ADJ VIZI WASH Z37 - SYSTEM MENU				
Default setting shown in bold				
MAIN MENU	OPTIONS / VALUES (Default Settings in <b>BOLD</b> )		DESCRIPTION	
<b>DMX Settings</b>	DMX Address	<b>001</b> - 512	Shall be used to set the units starting DMX address channel. Depending on set DMX mode, unit shall not allow to be addressed any higher that will not allow for all channels to be accessed from the console.	
	DMX Channel Mode	14ch, 15ch, <b>17ch</b> , 18ch, 19ch, 38ch, 39ch, 72ch, 73ch	Shall be used to set the units desired DMX mode.	
	No DMX Status	<b>Hold Last</b>		Shall be used to set the units behavior when DMX signal is not present. Hold shall be the default setting and unit shall hold all last channel values received from the console when signal is lost.
		Blackout		Blackout option shall take all channels to zero (0) when signal is lost.
		Int Program		
	Manual		Manual Settings option shall take all channels to the last set Manual channel settings when signal is lost.	
<b>Personality</b>	Status Settings	Pan Invert	<b>ON / OFF</b>	
		Tilt Invert	<b>ON / OFF</b>	
		P./T. Feedback	<b>ON / OFF</b>	
		P./T. Speed	<b>Speed 1</b> , Speed 2	Speed 1 (Default) should allow unit to move at its fastest possible speed without losing step. Speed 2 should be for more smooth precise movements so naturally this would be slower movements compared to Speed 1
		Hibernation	<b>OFF</b> , 01M~99M, <b>15M</b>	When DMX signal is not present for the set time, the unit shall go into standby mode after the set time. When set to OFF, unit shall never go into hibernation mode. The unit should have 01M to 99M options... so 01M, 02M, 03M... 99M (M=Minutes). 15M should be default.
	Fan Settings	Head	<b>Auto</b> , High, Silent	
		Base	<b>Auto</b> , High, Silent	
	Dim Modes		<b>Standard</b> , Stage, TV, Architectural, Theatre, Stage 2	Preset dim modes... see Dim Modes Tab for details.
		Dim Speed	0.1S~10S	Set your own dim delay versus smooth dimming. 0.1s is the least delay, and 10s is the most delay.
	Dim Curve		<b>Square Law</b> , Linear, Inv SQ Law, S.Curve	
	Reset Motors	Reset All Motors	<b>YES / NO</b>	
		Pan/Tilt Reset	<b>YES / NO</b>	
		Zoom Reset	<b>YES / NO</b>	
Display	Intensity	<b>1-10</b>		
	Display Invert	<b>YES / NO</b>		
	Screen Saver Delay	<b>OFF</b> - 10 minutes		
	Lock On/Off	<b>ON / OFF</b>		

# SYSTEM MENU

MAIN MENU	OPTIONS / VALUES (Default Settings in <b>BOLD</b> )		DESCRIPTION		
<p><b>Personality</b></p> <p>Service</p>	<p>Calibration</p>	<p>Pan 128-127</p> <p>Tilt 128-127</p> <p>Zoom 0-255</p> <p>Red 125-255</p> <p>Green 125-255</p> <p>Blue 125-255</p> <p>White 125-255</p> <p>Red1 125-255</p> <p>Green1 125-255</p> <p>Blue1 125-255</p> <p>White1 125-255</p> <p>...</p> <p>Red11 125-255</p> <p>Green11 125-255</p> <p>Blue11 125-255</p> <p>White11 125-255</p>	<p>Effects adjustments (Passcode = 050). Do not adjust effect settings when performing a factory reset at the same time.</p>		
		<p>USB Port Power</p>	<p><b>ON / OFF</b></p>		
		<p>Update Software</p>	<p><b>YES / NO</b></p>		
		<p>Factory Restore</p>	<p><b>YES / NO</b></p>	<p>When "YES" is selected, enter password (password = <b>11</b>) to reset the fixture to factory settings.</p>	
		<p><b>Manual Control</b></p>	<p>Pan</p>	<p>000-255</p>	<p>Manual control settings shall always hold when no DMX signal is present. This includes after a power cycle.</p>
			<p>Pan Fine</p>	<p>000-255</p>	
			<p>Tilt</p>	<p>000-255</p>	
			<p>Tilt Fine</p>	<p>000-255</p>	
			<p>Red1-11</p>	<p>000-255</p>	
			<p>Green1-11</p>	<p>000-255</p>	
			<p>Blue1-11</p>	<p>000-255</p>	
			<p>White1-11</p>	<p>000-255</p>	
			<p>Color Macros</p>	<p>000-255</p>	
			<p>Base Color</p>	<p>000-255</p>	
<p>Block Macro</p>	<p>000-255</p>				
<p>Shutter</p>	<p>000-255</p>				
<p>Dimmer</p>	<p>000-255</p>				
<p>Dimmer Fine</p>	<p>000-255</p>				
<p>Zoom</p>	<p>000-255</p>				
<p>Zoom Fine</p>	<p>000-255</p>				
<p>Macro Speed</p>	<p>000-255</p>				
<p>P/T Speed</p>	<p>000-255</p>				

# SYSTEM MENU

MAIN MENU	OPTIONS / VALUES (Default Settings in <b>BOLD</b> )		DESCRIPTION	
<b>Internal Programs</b>	Program 0	Speed	000-255 Shall run the set program based on this speed setting, 000 being slowest and 255 being the fastest... unless the Sound function is set to ON, which takes priority. Program 0 shall randomly cycle through all available programs, automatically changing every 30 to 45 seconds.	
		Fade	000-255 Shall run the set program based on this fade setting, 000 being NO fade and 255 being maximum fade.	
	Program 1	Speed	000-255 Shall run the set program based on this speed setting, 000 being slowest and 255 being the fastest.	
		Fade	000-255 Shall run the set program based on this fade setting, 000 being NO fade and 255 being maximum fade.	
	Program 2	Speed	000-255 Shall run the set program based on this speed setting, 000 being slowest and 255 being the fastest.	
		Fade	000-255 Shall run the set program based on this fade setting, 000 being NO fade and 255 being maximum fade.	
	Program 3	Speed	000-255 Shall run the set program based on this speed setting, 000 being slowest and 255 being the fastest.	
		Fade	000-255 Shall run the set program based on this fade setting, 000 being NO fade and 255 being maximum fade.	
	Program 4	Speed	000-255 Shall run the set program based on this speed setting, 000 being slowest and 255 being the fastest.	
		Fade	000-255 Shall run the set program based on this fade setting, 000 being NO fade and 255 being maximum fade.	
	<b>Target Mode</b>	<b>Mode0</b>		
		Mode1		
		Mode2		
		Mode3		
Mode4				

# SYSTEM MENU

MAIN MENU	OPTIONS / VALUES (Default Settings in <b>BOLD</b> )			DESCRIPTION	
Information	Fixture Life Time	Power On Time	xxxxxx Hours	Total hrs. fixture powered ON. Cannot be reset.	
		P-On Time-R	xxxxxx Hours	Hours fixture powered ON. Can be reset	
		P-On Time Reset	Passcode	Reset Power On Time (Passcode = <b>050</b> )	
	Total LED Time	LED On Time	xxxxxx Hours	Resets to 0 when lamp replaced and reset (Passcode = <b>050</b> )	
		LED On Time-R	xxxxxx Hours		
		LED On Time Reset	Passcode		
	Fixture Temps	LEDs	Current	xxx F°/ xxx C°	Current temperature in Farenheit and Celsius
			Max Resettable	xxx F°/ xxx C°	Current maximum temperature since last reset. Can be reset as needed by user.
			Max Not Resettable	xxx F°/ xxx C°	Maximum temperature fixture reached. Cannot be reset
		Reset LED Temp	Passcode	Shall allow for Head Temperature data to be reset. Should be Passcode protected (Passcode = <b>050</b> ).	
	Fan Info.(RPM)	Led Fan1	xxxx	Displays fan RPM	
		Led Fan2	xxxx		
		Led Fan3	xxxx		
		Head Fan	xxxx		
		Base Fan1	xxxx		
		Base Fan2	xxxx		
	DMX Values	Pan		Displays current DMX Channel value of respective fixture trait.	
Tilt					
...					
Zoom					
Error Logs	Fixture Errors	List Errors one by one	Displays Fixture Errors		
	Reset Error Log	YES / <b>NO</b>	Reset Error Log (Passcode = <b>050</b> )		
Max Temp LED ON	32~169°F, 102°F / 0~76°C, 39°C				
High Temp LED OFF	170°F, 100°F / 77°C, 38°C				
Software Version	X.XX				

# SYSTEM MENU

## DMX Settings

Select **DMX Settings**, then press the **ENTER** button to confirm. Use the **UP/DOWN** button to select **DMX Address**, **DMX Channel Mode**, or **No DMX Status**.

### DMX Address — DMX512 address setting

Select **DMX Address**, then press the **ENTER** button to confirm. Use the **UP/DOWN** button to adjust the address from **001** to **512**, then press the **ENTER** button to store. Press the **MENU** button back to the last menu or let the unit idle one minute to exit menu mode.

### DMX CH Mode — channel mode

Select **DMX CH Mode**, then press the **ENTER** button to confirm. Use the **UP/DOWN** button to select 14ch, 15ch, 17ch, 18ch, 19ch, 38ch, 39ch, 72ch, and 73ch, then press the **ENTER** button to store. Press the **MENU** button to move back to the last menu, or let the unit idle one minute to exit menu mode.

### No DMX Status — fixture state while DMX single stops

Select **No DMX Status**, then press the **ENTER** button to confirm. Use the **UP/DOWN** button to select **Hold Last** (fixture continues to obey the last command it received Via DMX if DMX signal stops), **Blackout** (fixture blacks out if DMX signal stops), **Int Program**, or **Manual** (fixture take all channels to the last set Manual channel settings if DMX signal stops), then press the **ENTER** button to store. Press the **MENU** button to move back to the last menu, or let the unit idle one minute to exit menu mode (In the state of **Blackout/ Hold Last**, when there is no DMX signal, the unit will remain in the final state within 15M, after which it will enter the static mode. The unit will remain in the final state within 15M. After 15M, it will enter the static mode. At this time, the lamp will turn off, and the motor will stop working. When the DMX signal is reconnected, the unit will be automatically activated and reset).

## Personality

Select **Personality**, then press the **ENTER** button to confirm. Use the **UP/DOWN** button to select **Status Settings**, **Fan Settings**, **Dim Modes**, **Dim Curve**, **Reset Motors**, **Display**, or **Service**.

### Status Settings

Select **Status Settings**, then press the **ENTER** button to confirm. Use the **UP/DOWN** button to select **Pan Invert**, **Tilt Invert**, **P./T. Feedback**, **P./T. Speed**, or **Hibernation**, then press the **ENTER** button to store. Press the **MENU** button to move back to the last menu, or let the unit idle one minute to exit menu mode.

### Pan Inverse

Select **Pan Inverse**, then press the **ENTER** button to confirm. Use the **UP/DOWN** button to select **ON** (normal) or **OFF** (pan inverse), then press the **ENTER** button to store. Press the **MENU** button to move back to the last menu, or let the unit idle one minute to exit menu mode.

### Tilt Invert

Select **Tilt Invert**, then press the **ENTER** button to confirm. Use the **UP/DOWN** button to select **ON** (normal) or **OFF** (pan inverse), then press the **ENTER** button to store. Press the **MENU** button back to the last menu, or let the unit idle one minute to exit menu mode.

### P./T. Feedback

Select **P./T. Feedback**, then press the **ENTER** button to confirm. Use the **UP/DOWN** button to select **ON** (normal) or **OFF** (pan inverse), then press the **ENTER** button to store. Press the **MENU** button to move back to the last menu, or let the unit idle one minute to exit menu mode.

### P./T. Speed

Select **P./T. Speed**, then press the **ENTER** button to confirm. Use the **UP/DOWN** button to select **Speed 1** or **Speed 2**, then press the **ENTER** button to store. Press the **MENU** button to move back to the last menu, or let the unit idle one minute to exit menu mode.

# SYSTEM MENU

## Personality (continued)

### Hibernation

Select **Hibernation**, then press the **ENTER** button to confirm. Use the **UP/DOWN** button to select **OFF** (unit will never go into hibernation mode), **01M~99M** (Hibernation mode), or **15M** (default mode), then press the **ENTER** button to store. Press the **MENU** button to move back to the last menu, or let the unit idle one minute to exit menu mode.

### Fan Settings

Select **Fan Settings**, then press the **ENTER** button to confirm. Use the **UP/DOWN** button to select **Head** or **Base**, then press the **ENTER** button to store. Press the **MENU** button back to the last menu, or let the unit idle one minute to exit menu mode.

### Head

Select **Head**, then press the **ENTER** button to confirm. Use the **UP/DOWN** button to select **Auto**, **High**, or **Silent**, then press the **ENTER** button to store. Press the **MENU** button to move back to the last menu, or let the unit idle one minute to exit menu mode.

### Base

Select **Base**, then press the **ENTER** button to confirm. Use the **UP/DOWN** button to select **Auto**, **High** or **Silent**, then press the **ENTER** button to store. Press the **MENU** button to move back to the last menu, or let the unit idle one minute to exit menu mode.

### Dim Modes

Select **Dim Modes**, then press the **ENTER** button to confirm. Use the **UP/DOWN** button to select **Standard**, **Stage**, **TV**, **Architectural**, **Theatre**, **Stage 2**, or **Dim Speed**, then press the **ENTER** button to store. Press the **MENU** button to move back to the last menu, or let the unit idle one minute to exit menu mode.

### Dim Curve

Select **Dim Curve**, then press the **ENTER** button to confirm. Use the **UP/DOWN** button to select **Square Law**, **Linear**, **Inv SQ Law**, or **S Curve**, then press the **ENTER** button to store. Press the **MENU** button to move back to the last menu, or let the unit idle one minute to exit menu mode.

### Reset Motors

Select **Reset Motors**, then press the **ENTER** button to confirm. Use the **UP/DOWN** button to select **Reset All Motors**, **Pan/Tilt Reset**, **Zoom Reset**, then press the **ENTER** button to store. Press the **MENU** button to move back to the last menu, or let the unit idle one minute to exit menu mode.

### Reset All Motors

Select **Reset All Motors**, then press the **ENTER** button to confirm. Use the **UP/DOWN** button to select **Yes** or **No**, press the **ENTER** button to store. Press the **MENU** button to move back to the last menu, or let the unit idle one minute to exit menu mode.

### Pan/Tilt Reset

Select **Pan/Tilt Reset**, then press the **ENTER** button to confirm. Use the **UP/DOWN** button to select **Yes** or **No**, press the **ENTER** button to store. Press the **MENU** button to move back to the last menu, or let the unit idle one minute to exit menu mode.

### Zoom Reset

Select **Zoom Reset**, then press the **ENTER** button to confirm. Use the **UP/DOWN** button to select **Yes** or **No**, press the **ENTER** button to store. Press the **MENU** button to move back to the last menu, or let the unit idle one minute to exit menu mode.

### Display

Select **Display**, then press the **ENTER** button to confirm. Use the **UP/DOWN** button to select **Intensity**, **Display Invert**, **Screen Saver Delay**, or **Lock On/Off**, then press the **ENTER** button to store. Press the **MENU** button to move back to the last menu, or let the unit idle one minute to exit menu mode.

# SYSTEM MENU

## Personality (continued)

### Service

Select **Service**, then press the **ENTER** button to confirm; the present mode will show on the display. Press the **MENU** button to exit. Use the **UP/DOWN** button to select **Calibration**, **USB Port Power**, **Update Software**, or **Factory Restore**.

### Calibration

Select **Calibration**, then use the **UP/DOWN** buttons to select **Pan**, **Tilt**, **Zoom**; with any selection, use the **UP/DOWN** button to adjust the value from -128 to 127; then use the **UP/DOWN** button to select **Red**, **Green**, **Blue**, **White**, **Red1**, **Green1**, **Blue1**, **White1**, ..., **Red11**, **Green11**, **Blue11**, **White11**, then use the **UP/DOWN** button to adjust the value 125 to 255.

### USB Port Power

Select **USB Port Power**, then use the **UP/DOWN** button to select **On** or **Off**. Press the **MENU** button to move back to the last menu, or let the unit idle one minute to exit menu mode.

### Update Software

When selecting **Update Software**, the present mode will show on the display. Press the **MENU** button to move back to the last menu, or let the unit idle one minute to exit menu mode.

### Factory Restore

Select **Factory Restore**, then use the **UP/DOWN** button to select **Yes** or **No**. Press the **MENU** button to move back to the last menu, or let the unit idle one minute to exit menu mode.

## Manual Control

Select **Manual Control**, then press the **ENTER** button to confirm. The present channel will show on the display. Use the **UP/DOWN** button to select **Pan**, **Pan Fine**, **Tilt**, **Tilt Fine**, **Red1-11**, **Green1-11**, **Blue1-11**, **White1-11**, **Color Macros**, **Base Color**, **Block Macro**, **Shutter**, **Dimmer**, **Dimmer Fine**, **Zoom**, **Zoom Fine**, **Macro Speed**, or **P/T Speed**, then press the **ENTER** button to confirm. Use the **UP/DOWN** button to adjust the value 000 to 255, then press the **ENTER** button to store. The fixture will run as the channel value indicates. Press the **MENU** button to move back to the last menu, or exit menu mode idling one minute. Note that all channel values default to 0 after exiting Manual Test menu.

## Internal Programs

Select **Internal Programs**, then press the **ENTER** button to confirm. Use the **UP/DOWN** button to select **Program 0**, **Program 1**, **Program 2**, **Program 3**, or **Program 4**.

### Program 0

Select **Program 0**, then press the **ENTER** button to confirm. Use the **UP/DOWN** button to select **Speed** or **Fade**, then press the **ENTER** button to store. Press the **MENU** button to move back to the last menu, or let the unit idle one minute to exit menu mode.

### Program 1

Select **Program 1**, then press the **ENTER** button to confirm. Use the **UP/DOWN** button to select **Speed** or **Fade**, then press the **ENTER** button to store. Press the **MENU** button to move back to the last menu, or let the unit idle one minute to exit menu mode.

### Program 2

Select **Program 2**, then press the **ENTER** button to confirm. Use the **UP/DOWN** button to select **Speed** or **Fade**, then press the **ENTER** button to store. Press the **MENU** button to move back to the last menu, or let the unit idle one minute to exit menu mode.



# SYSTEM MENU

## Internal Programs (continued)

### Program 3

Select **Program 2**, then press the **ENTER** button to confirm. Use the **UP/DOWN** button to select **Speed** or **Fade**, then press the **ENTER** button to store. Press the **MENU** button to move back to the last menu, or let the unit idle one minute to exit menu mode.

### Program 4

Select **Program 4**, then press the **ENTER** button to confirm. Use the **UP/DOWN** button to select **Speed** or **Fade**, then press the **ENTER** button to store. Press the **MENU** button to move back to the last menu, or let the unit idle one minute to exit menu mode.

## Target Mode

Select **Target Mode**, then press the **ENTER** button to confirm. Use the **UP/DOWN** button to select **Mode 0**, **Mode 1**, **Mode 2**, **Mode 3**, or **Mode 4**.

### Mode 0

Select **Mode 0**, then press the **ENTER** button to confirm. With this selection, the Pan movement range is 540°, and the Tilt movement range is 270° (see Target Modes on page 27). Press the **MENU** button to move back to the last menu, or let the unit idle one minute to exit menu mode.

### Mode 1

Select **Mode 0**, then press the **ENTER** button to confirm. With this selection, the Pan movement range is 90°, and the Tilt movement range is 135° (see Target Modes on page 27). Press the **MENU** button to move back to the last menu, or let the unit idle one minute to exit menu mode.

### Mode 2

Select **Mode 2**, then press the **ENTER** button to confirm. With this selection, the Pan movement range is 90°, and the Tilt movement range is 135° (see Target Modes on page 27). Press the **MENU** button to move back to the last menu, or let the unit idle one minute to exit menu mode.

### Mode 3

Select **Mode 3**, then press the **ENTER** button to confirm. With this selection, the Pan movement range is 90°, and the Tilt movement range is 135° (see Target Modes on page 27). Press the **MENU** button to move back to the last menu, or let the unit idle one minute to exit menu mode.

### Mode 4

Select **Mode 4**, then press the **ENTER** button to confirm. With this selection, the Pan movement range is 90°, and the Tilt movement range is 135° (see Target Modes on page 27). Press the **MENU** button to move back to the last menu, or let the unit idle one minute to exit menu mode.

## Information

Select **Information**, then press the **ENTER** button to confirm. Use the **UP/DOWN** button to select **Fixture Life Time**, **Total LED Time**, **Fixture Temps**, **Fan Info**, **DMX Values**, **Error Logs**, **Max Temp LED ON**, **High Temp LED OF**, or **Software Version**.

### Fixture Life Time

Select **Fixture Life Time**, then press the **ENTER** button to confirm. Use the **UP/DOWN** button to select **Power On Time**, **P-On Time-R**, or **P-On Time Reset**, then press the **ENTER** button to store. Press the **MENU** button to move back to the last menu, or let the unit idle one minute to exit menu mode.

### Total LED Time

Select **Total LED Time**, then press the **ENTER** button to confirm. Use the **UP/DOWN** button to select **LED on Time**, **LED On Time-R**, or **LED On Time Reset**, then press the **ENTER** button to store. Press the **MENU** button to move back to the last menu, or let the unit idle on minute to exit menu mode.

# SYSTEM MENU

## Information (continued)

### Fixture Temps

Select **Fixture Temps**, then press the **ENTER** button to confirm. Use the **UP/DOWN** button to select **LEDs**, or **Reset LED Temp**, then press the **ENTER** button to store. Press the **MENU** button to move back to the last menu, or let the unit idle one minute to exit menu mode.

### Fan Info.(RPM)

Select **Fan Info.(RPM)**, then press the **ENTER** button to confirm. Use the **UP/DOWN** button to select **LED Fan1**, **LED Fan2**, **LED Fan3**, **Head Fan**, **Base Fan1**, or **Base Fan2**, then press the **ENTER** button to store. Press the **MENU** button to move back to the last menu, or let the unit idle one minute to exit menu mode.

### DMX Value

Select **DMX Value**, then press the **ENTER** button to confirm. Use the **UP/DOWN** button to select **Pan**, **Tilt**, ..., **Special Function**, then press the **ENTER** button to store. Press the **MENU** button to move back to the last menu, or let the unit idle one minute to exit menu mode.

### Error Logs

Select **Error Logs**, then press the **ENTER** button to confirm. Use the **UP/DOWN** button to select **Fixture Errors**, or **Reset Error Log**, then press the **ENTER** button to store. Press the **MENU** button to move back to the last menu, or let the unit idle one minute to exit menu mode.

### Max Temp LED ON

Select **Max Temp LED ON**, then press the **ENTER** button to confirm. Use the **UP/DOWN** button to select **32~169°F**, **102°F / 0~76°C**, **39°C**, then press the **ENTER** button to store. Press the **MENU** button to move back to the last menu, or let the unit idle one minute to exit menu mode.

### High Temp LED OFF

Select **High Temp LED OFF**, then press the **ENTER** button to confirm. Use the **UP/DOWN** button to select **170°F**, **100°F / 77°C**, **38°C**, then press the **ENTER** button to store. Press the **MENU** button to move back to the last menu, or let the unit idle one minute to exit menu mode.

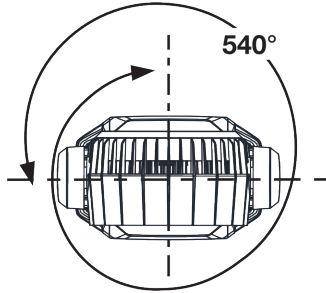
### Software Version

Select **Software Version**, then press the **ENTER** button to confirm, present mode will show on the display. Press the **MENU** button to exit.

# TARGET MODES

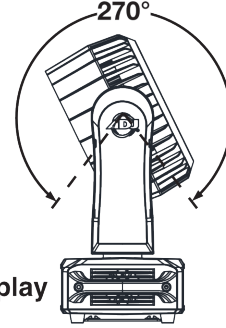
Mode 0

Pan Movement Range = 540°



Display

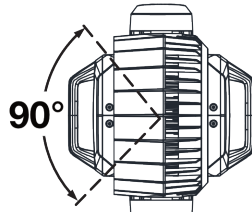
Tilt Movement Range = 270°



Display

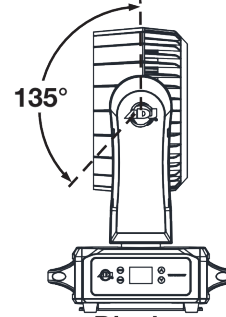
Mode 1

Pan Movement Range = 90°



Display

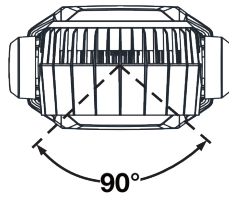
Tilt Movement Range = 135°



Display

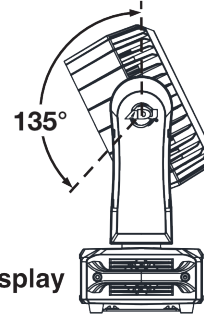
Mode 2

Pan Movement Range = 90°



Display

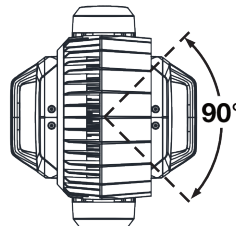
Tilt Movement Range = 135°



Display

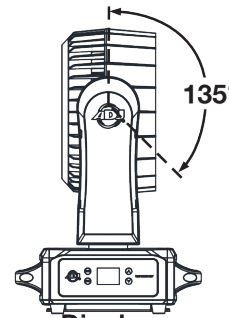
Mode 3

Pan Movement Range = 90°



Display

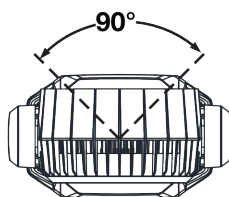
Tilt Movement Range = 135°



Display

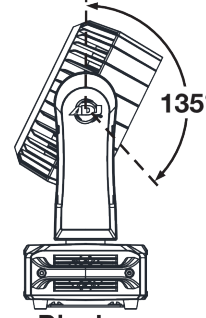
Mode 4

Pan Movement Range = 90°



Display

Tilt Movement Range = 135°

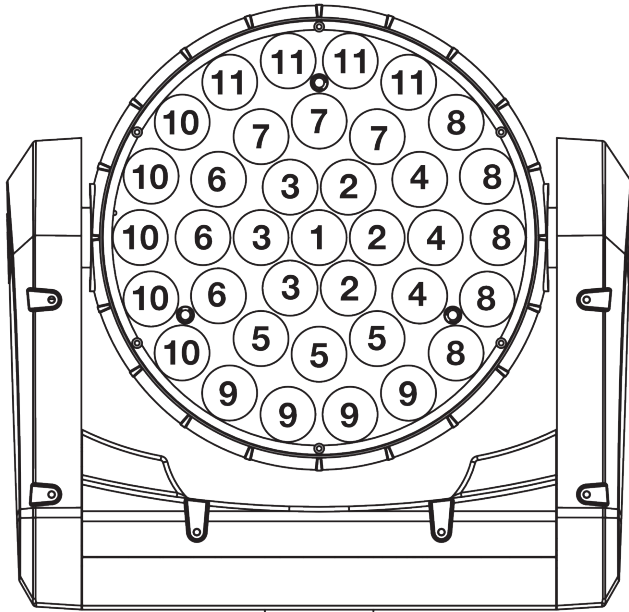


Display

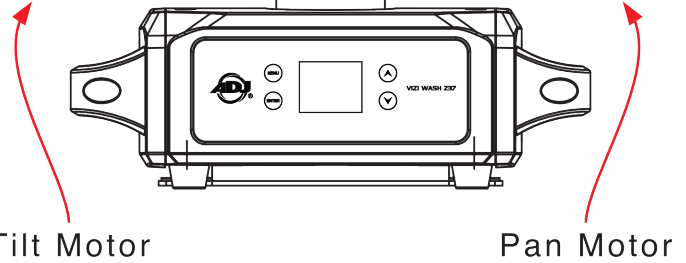
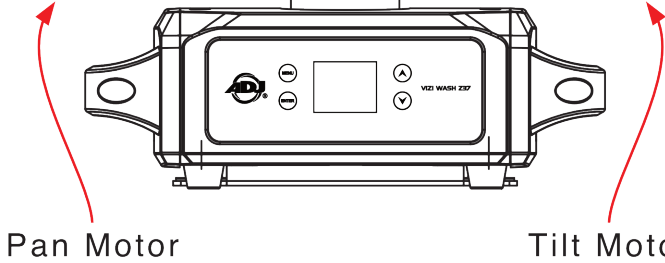
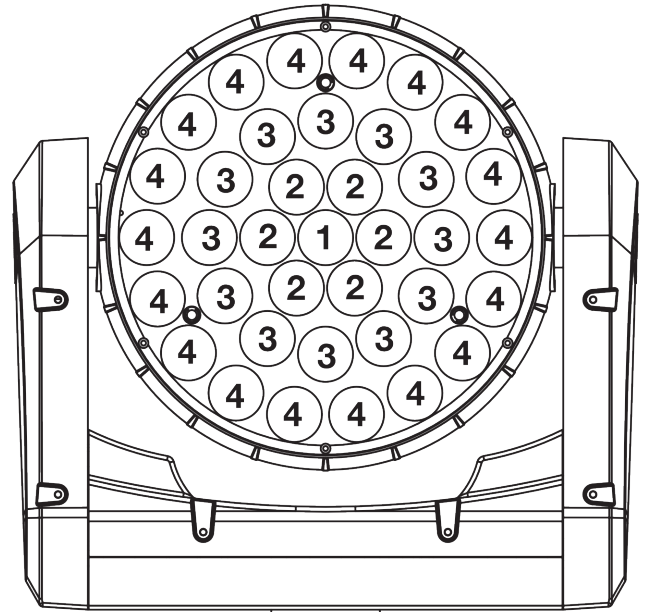
# RGBW LIGHTING PARTITION

## COLOR BLOCKS AND RINGS LAYOUT

Block Layout (72Ch/73Ch)

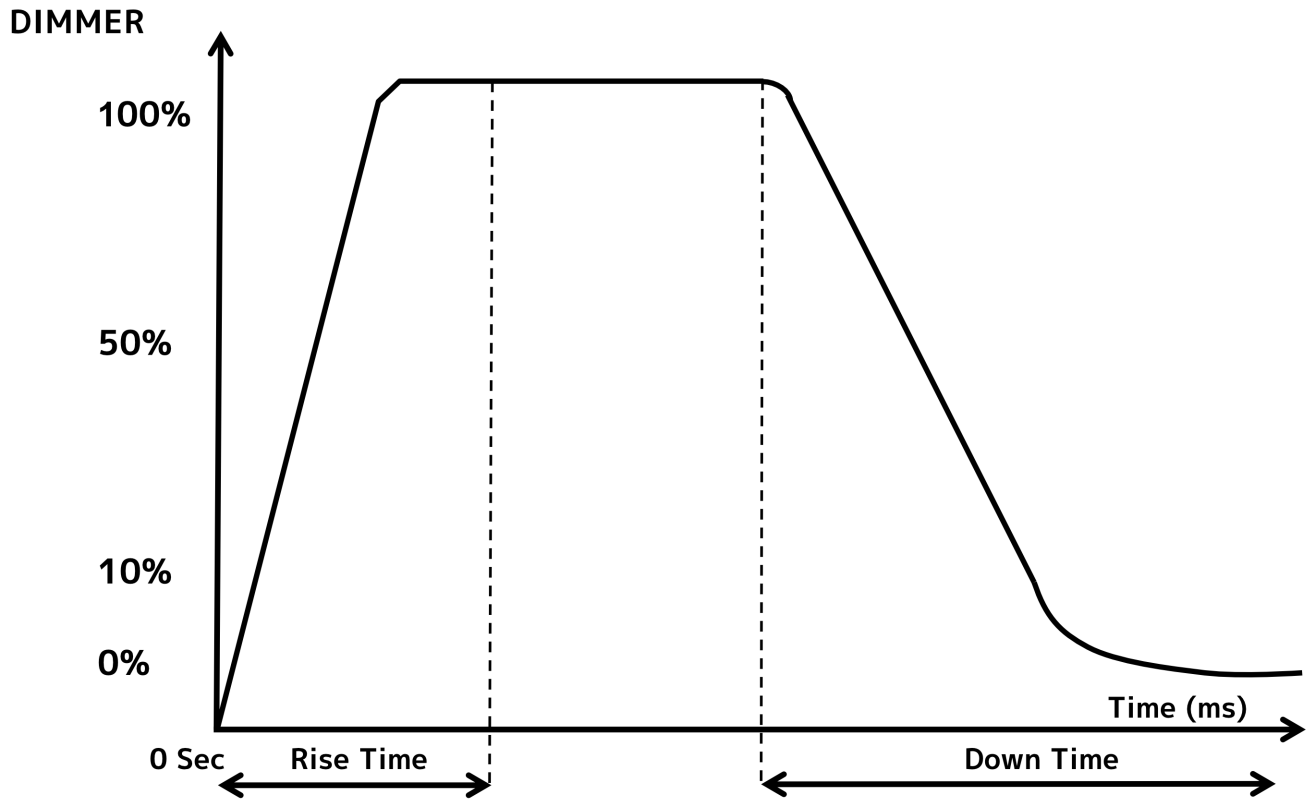


Ring Layout (38Ch/39Ch)

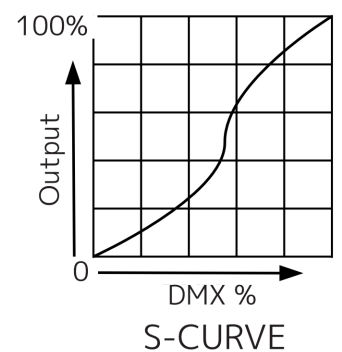
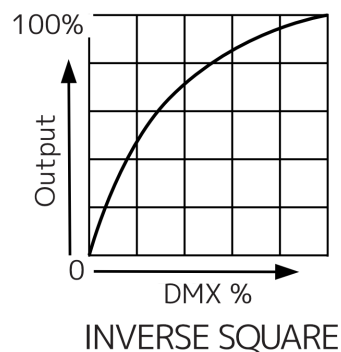
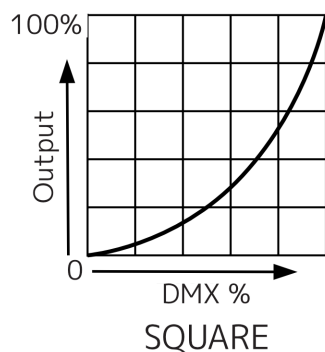
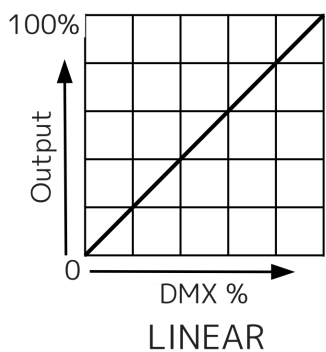


1. When the Pan motor is on the left side, and the Tilt motor is on the right side, the sequence of RGBW lights is shown in the above left "Block Layout" figure (72 Channel & 73 Channel).
2. When the Tilt motor is on the left side, and the Pan motor is on the right side, the sequence of RGBW lights is shown in the above right "Ring Layout" figure (38 Channel & 39 Channel).
3. 1~11 in the Block Layout figure represents the lighting partition situation when setting from the Red1 channel to the White11 channel of 58 Channel (The 14/15/17/18/19 channels have no partition, and is fully monochrome light). For example: when setting from the Red2 to the White2, the Lighting area is the area2 shown in the 'Block Layout' figure.
4. Ensure the position of the X-axis motor/Y-axis motor. If the sequence of the Lighting area is not in accordance with the figures above, double-check the the wiring harness installation.

# DIMMER MODE GRAPHS



Dimming Curve Ramp Effect	0 sec Fade Time		1 sec Fade Time	
	Rise Time (ms)	Down Time (ms)	Rise Time (ms)	Down Time (ms)
Standard (default)	0	0	0	0
Stage	780	1100	1540	1660
TV	1180	1520	1860	1940
Architectural	1380	1730	2040	2120
Theatre	1580	1940	2230	2280



# DMX TRAITS: CHANNEL FUNCTIONS & VALUES

Features subject to change without notice.

MODE/CHANNEL									VALUE	FUNCTION
14CH	15CH	17CH	18CH	19CH	38CH	39CH	72CH	73CH		
1	1	1	1	1	1	1	1	1	000-255	<b>PAN Movement 8bit:</b> 540 Degrees
		2	2	2	2	2	2	2	000-255	<b>Pan Fine 16bit:</b> Fine control of Pan movement
2	2	3	3	3	3	3	3	3	000-255	<b>TILT Movement 8bit:</b> 255 Degrees
		4	4	4	4	4	4	4	000-255	<b>Tilt Fine 16bit:</b> Fine control of Tilt movement
3	3	5	5	5	5	5	5	5	000-255	<b>RED</b> (0% " 100%)
4	4	6	6	6	6	6			000-255	<b>GREEN</b> (0% " 100%)
5	5	7	7	7	7	7			000-255	<b>BLUE</b> (0% " 100%)
6	6	8	8	8	8	8			000-255	<b>WHITE</b> (0% " 100%)
8	7	9	9	9	9	9	60	60	000-255	<b>COLOR TEMPERATURE 2700-7000K Linear</b>
7			10	10	10	10			000-256	<b>64 Color Macros</b> (See Color Macros Chart)
										<b>COLOR PRESET</b>
									000-009	Open
									010-017	Color1
									018-024	Color2
									025-032	Color3
									033-039	Color4
									040-047	Color5
									048-054	Color6
									055-061	Color7
									062-069	Color8
									070-076	Color9
									077-084	Color10
									085-091	Color11
									092-099	Color12
									100-106	Color13
									107-113	Color14
									114-121	Color15
	8	10	11	11	11	11			122-128	Color16
									129-136	Color17
									137-143	Color18
									144-151	Color19
									152-158	Color20
									159-165	Color21
									166-173	Color22
									174-180	Color23
									181-188	Color24
									189-195	Color25
									196-203	Color26
									204-210	Color27
									211-217	Color28
									218-225	Color29
									226-232	Color30
									233-240	Color31
									241-247	Color32
									248-255	Color33

Features subject to change without notice.

MODE/CHANNEL									VALUE	FUNCTION
14CH	15CH	17CH	18CH	19CH	38CH	39CH	72CH	73CH		
							5	5	000-255	<b>BLOCK 1 RED</b> (0% - 100%)
							6	6	000-255	<b>BLOCK 1 GREEN</b> (0% - 100%)
							7	7	000-255	<b>BLOCK 1 BLUE</b> (0% - 100%)
							8	8	000-255	<b>BLOCK 1 WHITE</b> (0% - 100%)
					12	12			000-255	<b>RING 1 RED</b> (0% - 100%)
					13	13			000-255	<b>RING 1 GREEN</b> (0% - 100%)
					14	14			000-255	<b>RING 1 BLUE</b> (0% - 00%)
					15	15			000-255	<b>RING 1 WHITE</b> (0% - 100%)
										<b>BLOCK 1 COLOR PRESET</b>
									000-009	Open
									010-017	Color1
									018-024	Color2
									025-032	Color3
									033-039	Color4
									040-047	Color5
									048-054	Color6
									055-061	Color7
									062-069	Color8
									070-076	Color9
									077-084	Color10
									085-091	Color11
									092-099	Color12
									100-106	Color13
									107-113	Color14
									114-121	Color15
							9	9	122-128	Color16
									129-136	Color17
									137-143	Color18
									144-151	Color19
									152-158	Color20
									159-165	Color21
									166-173	Color22
									174-180	Color23
									181-188	Color24
									189-195	Color25
									196-203	Color26
									204-210	Color27
									211-217	Color28
									218-225	Color29
									226-232	Color30
									233-240	Color31
									241-247	Color32
									248-255	Color33

Features subject to change without notice.

MODE/CHANNEL									VALUE	FUNCTION
14CH	15CH	17CH	18CH	19CH	38CH	39CH	72CH	73CH		
							10	10	000-255	<b>BLOCK 2 RED</b> (0% - 100%)
							11	11	000-255	<b>BLOCK 2 GREEN</b> (0% - 100%)
							12	12	000-255	<b>BLOCK 2 BLUE</b> (0% - 100%)
							13	13	000-255	<b>BLOCK 2 WHITE</b> (0% - 100%)
					16	16			000-255	<b>RING 2 RED</b> (0% - 100%)
					17	17			000-255	<b>RING 2 GREEN</b> (0% - 100%)
					18	18			000-255	<b>RING 2 BLUE</b> (0% - 100%)
					19	19			000-255	<b>RING 2 WHITE</b> (0% - 100%)
							14	14	000-255	<b>BLOCK 2 COLOR PRESET</b> (The same as CH 9: RING 1 COLOR PRESET)
							15	15	000-255	<b>BLOCK 3 RED</b> (0% - 100%)
							16	16	000-255	<b>BLOCK 3 GREEN</b> (0% - 100%)
							17	17	000-255	<b>BLOCK 3 BLUE</b> (0% - 100%)
							18	18	000-255	<b>BLOCK 3 WHITE</b> (0% - 100%)
					20	20			000-255	<b>RING 3 RED</b> (0% - 100%)
					21	21			000-255	<b>RING 3 GREEN</b> (0% - 100%)
					22	22			000-255	<b>RING 3 BLUE</b> (0% - 100%)
					23	23			000-255	<b>RING 3 WHITE</b> (0% - 100%)
							19	19	000-255	<b>BLOCK 3 COLOR PRESET</b> The same as CH 9: RING 1 COLOR PRESET
							20	20	000-255	<b>BLOCK 4 RED</b> (0% - 100%)
							21	21	000-255	<b>BLOCK 4 GREEN</b> (0% - 100%)
							22	22	000-255	<b>BLOCK 4 BLUE</b> (0% - 100%)
							23	23	000-255	<b>BLOCK4 WHITE</b> (0% - 100%)
					24	24			000-255	<b>RING 4 RED</b> (0% - 100%)
					25	25			000-255	<b>RING 4 GREEN</b> (0% - 100%)
					26	26			000-255	<b>RING 4 BLUE</b> (0% - 100%)
					27	27			000-255	<b>RING 4 WHITE</b> (0% - 100%)
							24	24	000-255	<b>BLOCK 4 COLOR PRESET</b> (The same as CH 9: RING 1 COLOR PRESET)
							25	25	000-255	<b>BLOCK 5 RED</b> (0% - 100%)
							26	26	000-255	<b>BLOCK 5 GREEN</b> (0% - 100%)
							27	27	000-255	<b>BLOCK 5 BLUE</b> (0% - 100%)
							28	28	000-255	<b>BLOCK 5 WHITE</b> (0% - 100%)
							29	29	000-255	<b>BLOCK 5 COLOR PRESET</b> (The same as CH 9: RING 1 COLOR PRESET)
							30	30	000-255	<b>BLOCK 6 RED</b> (0% - 100%)
							31	31	000-255	<b>BLOCK 6 GREEN</b> (0% - 100%)
							32	32	000-255	<b>BLOCK 6 BLUE</b> (0% - 100%)
							33	33	000-255	<b>BLOCK 6 WHITE</b> (0% - 100%)
							34	34	000-255	<b>BLOCK 6 COLOR PRESET</b> (The same as CH 9: RING 1 COLOR PRESET)



Features subject to change without notice.

MODE/CHANNEL									VALUE	FUNCTION
14CH	15CH	17CH	18CH	19CH	38CH	39CH	72CH	73CH		
							35	35	000-255	<b>BLOCK 7 RED</b> (0% - 100%)
							36	36	000-255	<b>BLOCK 7 GREEN</b> (0% - 100%)
							37	37	000-255	<b>BLOCK 7 BLUE</b> (0% - 100%)
							38	38	000-255	<b>BLOCK 7 WHITE</b> (0% - 100%)
							39	39	000-255	<b>BLOCK 7 COLOR PRESET</b> (The same as CH 9: RING 1 COLOR PRESET)
							40	40	000-255	<b>BLOCK 8 RED</b> (0% - 100%)
							41	41	000-255	<b>BLOCK 8 GREEN</b> (0% - 100%)
							42	42	000-255	<b>BLOCK 8 BLUE</b> (0% - 100%)
							43	43	000-255	<b>BLOCK 8 WHITE</b> (0% - 100%)
							44	44	000-255	<b>BLOCK 8 COLOR PRESET</b> (The same as CH 9: RING 1 COLOR RESET)
							45	45	000-255	<b>BLOCK 9 RED</b> (0% - 100%)
							46	46	000-255	<b>BLOCK 9 GREEN</b> (0% - 100%)
							47	47	000-255	<b>BLOCK 9 BLUE</b> (0% - 100%)
							48	48	000-255	<b>BLOCK 9 WHITE</b> (0% - 100%)
							49	49	000-255	<b>BLOCK 9 COLOR PRESET</b> (The same as CH 9: RING 1 COLOR PRESET)
							50	50	000-255	<b>BLOCK 10 RED</b> (0% - 100%)
							51	51	000-255	<b>BLOCK 10 GREEN</b> (0% - 100%)
							52	52	000-255	<b>BLOCK 10 BLUE</b> (0% - 100%)
							53	53	000-255	<b>BLOCK 10 WHITE</b> (0% - 100%)
							54	54	000-255	<b>BLOCK 10 COLOR PRESET</b> (The same as CH 9: RING 1 COLOR PRESET)
							55	55	000-255	<b>BLOCK 11 RED</b> (0% - 100%)
							56	56	000-255	<b>BLOCK 11 GREEN</b> (0% - 100%)
							57	57	000-255	<b>BLOCK 11 BLUE</b> (0% - 100%)
							58	58	000-255	<b>BLOCK 11 WHITE</b> (0% -100%)
							59	59	000-255	<b>BLOCK 11 COLOR PRESET</b> (The same as CH 9: RING 1 COLOR PRESET)

Features subject to change without notice.

MODE/CHANNEL									VALUE	FUNCTION
14CH	15CH	17CH	18CH	19CH	38CH	39CH	72CH	73CH		
										<b>COLOR MACRO</b>
										000-009 Open
										010-014 LEE 790 – Moroccan Pink
										015-019 LEE 157 – Pink
										020-024 LEE 332 – Special Rose Pink
										025-029 LEE 328 – Follies Pink
										030-034 LEE 345 – Fuchsia Pink
										035-039 LEE 194 – Surprise Pink
										040-044 LEE 181 – Congo Blue
										045-049 LEE 071 – Tokyo Blue
										050-054 LEE 120 – Deep Blue
										055-059 LEE 079 – Just Blue
										060-064 LEE 132 – Medium Blue
										065-069 LEE 200 – Double CT Blue
										070-074 LEE 161 – State Blue
										075-079 LEE 201 – Full CT Blue
										080-084 LEE 202 – Half CT Blue
										085-089 LEE 117 – Steel Blue
										090-094 LEE 353 – Lighter Blue
										095-099 LEE 118 – Light Blue
										100-104 LEE 116 – Medium Blue Green
										105-109 LEE 124 – Dark Green
							61	61		110-114 LEE 139 – Primary Green
										115-119 LEE 089 – Moss Green
										120-124 LEE 122 – Fern Green
										125-129 LEE 738 – JAS Green
										130-134 LEE 088 – Lime Green
										135-139 LEE 100 – Spring Yellow
										140-144 LEE 104 – Deep Amber
										145-149 LEE 179 – Chrome Orange
										150-154 LEE 105 – Orange
										155-159 LEE 021 – Gold Amber
										160-164 LEE 778 – Millennium Gold
										165-169 LEE 135 – Deep Gold Amber
										170-174 LEE 164 – Flame Red
										175-179 Open
										<b>Color wheel rotation effect</b>
										180-201 Clockwise, fast " slow
										202-207 Stop (this will stop wherever the color is at the time)
										208-229 Counter-clockwise, slow " fast
										230-234 Open
										<b>Random color</b>
										235-239 Fast
										240-244 Medium
										245-249 Slow
										250-255 Open

Features subject to change without notice.

MODE/CHANNEL									VALUE	FUNCTION
14CH	15CH	17CH	18CH	19CH	38CH	39CH	72CH	73CH		
										<b>Base Color Preset</b>
									000-009	No Base Color
									010-017	Color1
									018-024	Color2
									025-032	Color3
									033-039	Color4
									040-047	Color5
									048-054	Color6
									055-061	Color7
									062-069	Color8
									070-076	Color9
									077-084	Color10
									085-091	Color11
									092-099	Color12
									100-106	Color13
									107-113	Color14
									114-121	Color15
					28	28	62	62	122-128	Color16
									129-136	Color17
									137-143	Color18
									144-151	Color19
									152-158	Color20
									159-165	Color21
									166-173	Color22
									174-180	Color23
									181-188	Color24
									189-195	Color25
									196-203	Color26
									204-210	Color27
									211-217	Color28
									218-225	Color29
									226-232	Color30
									233-240	Color31
									241-247	Color32
									248-255	Color33

Features subject to change without notice.

MODE/CHANNEL									VALUE	FUNCTION
14CH	15CH	17CH	18CH	19CH	38CH	39CH	72CH	73CH		
										<b>BLOCK MACRO</b>
									000-007	Blackout
									008-022	Macro1
									023-037	Macro2
									038-052	Macro3
									053-067	Macro4
									068-082	Macro5
									083-097	Macro6
					29	29	63	63	098-112	Macro7
									113-127	Macro8
									128-142	Macro9
									143-157	Macro10
									158-172	Macro11
									173-187	Macro12
									188-202	Macro13
									203-217	Macro14
									218-232	Macro15
									233-247	Macro16
									248-255	Mocro17
										<b>Shutter</b>
									000-019	Blackout
									020-024	Open
									025-064	Strobe Slow to Fast
									065-069	Open
									070-084	Pulse Slow Open, Fast Closed
									085-089	Open
									090-104	Pulse Fast Open, Slow Closed
									105-109	Open
									110-124	Random Strobe
									125-129	Open
									130-144	Random Pulse Open
									145-149	Open
									150-164	Random Pulse Closed
									165-169	Open
									170-184	Burst Pulse
									185-189	Open
									190-204	Random Burst Pulse
									205-209	Open
									210-224	Shutter Strobe Pulse
									225-229	Open
									230-244	Burst
									245-255	Open

Features subject to change without notice.

MODE/CHANNEL									VALUE	FUNCTION
14CH	15CH	17CH	18CH	19CH	38CH	39CH	72CH	73CH		
										<b>Shutter, Strobe:</b>
									000-031	Shutter Closed(LEDs OFF)
									032-063	Shutter OPEN(LEDs ON)
									064-095	Strobe effect slow to fast
	9	11	12	12	30	30	64	64	096-127	Shutter OPEN(LEDs ON)
									128-159	Pulse effect in sequences
									160-191	Shutter OPEN(LEDs ON)
									192-223	Random strobe effect slow to fast
									224-255	Shutter OPEN(LEDs ON)
10	10	12	13	13	31	31	65	65	000-255	<b>Dimmer Intensity:</b> Intensity 0 to 100%
	11	13	14	14	32	32	66	66	000-255	<b>Dimmer Fine:</b> Dimmer Intensity fine
12	12	14	15	15	33	33	67	67	000-255	<b>Zoom:</b> Zoom adjustment from wide to narrow
					34	34	68	68	000-255	<b>Zoom Fine:</b> Zoom adjustment Fine
										<b>Dim Modes:</b>
									000-020	Standard
									021-040	Stage
									041-060	TV
11	13	15	16		35		69		061-080	Architectural
									081-100	Theatre
									101-120	Stage 2
									121-140	Dim Speed from Fast to Slow (0.1-10s)
									141-255	Default to Unit Setting
										<b>Dim Modes:</b>
									000-020	Default to Unit Setting
									021-040	Standard
									041-060	Stage
				16		35		69	061-080	TV
									081-100	Architectural
									101-120	Theatre
									121-140	Stage 2
									141-160	Dim Speed from Fast to Slow (0.1-10s)
									161-255	Default to Unit Setting
										<b>Dim Curves:</b>
									000-020	Default to Unit Setting
									021-040	Square
				17		36		70	041-060	Linear
									061-080	Inv. Squa
									081-100	S. Curve
									101-255	No Function
					36	37	70	71	000-255	<b>Color Block Macro Speed:</b> slow to fast
13	14	16	17	18	37	38	71	72	000-255	<b>Pan/Tilt Speed:</b> Max to Min Speed

Features subject to change without notice.

MODE/CHANNEL									VALUE	FUNCTION
14CH	15CH	17CH	18CH	19CH	38CH	39CH	72CH	73CH		
14										<b>Special Function:</b>
									000-069	Null
									070-079	Blackout Pan/Tilt Move Enable
									080-089	Blackout Pan/Tilt Move Disable
									090-099	Reset All
									100-109	Zoom Reset
									110-119	Pan/Tilt Reset
									120-255	Null
										<b>Function:</b>
									000-069	Null
									070-079	Blackout Pan/Tilt Move Enable
									080-089	Blackout Pan/Tilt Move Disable
									090-189	Null
	15	17	18	19	38	39	72	73	190-199	Zoom Reset
									200-209	Reset All
									210-219	Null
									220-229	Pan/Tilt Reset
									230-255	Null

### DIMMING SPEED

*Applies to Dim Mode channel, values 121 - 140		*Applies to Dim Mode channel, values 141 - 160	
DMX Value	Delay and Menu Display Time	DMX Value	Delay and Menu Display Time
121	0.1Sec.	141	0.1Sec.
122	0.2Sec.	142	0.2Sec.
123	0.3Sec.	143	0.3Sec.
124	0.4Sec.	144	0.4Sec.
125	0.5Sec.	145	0.5Sec.
126	0.6Sec.	146	0.6Sec.
127	0.7Sec.	147	0.7Sec.
128	0.8Sec.	148	0.8Sec.
129	0.9Sec.	149	0.9Sec.
130	1.0Sec.	150	1.0Sec.
131	1.5Sec.	151	1.5Sec.
132	2.0Sec.	152	2.0Sec.
133	3.0Sec.	153	3.0Sec.
134	4.0Sec.	154	4.0Sec.
135	5.0Sec.	155	5.0Sec.
136	6.0Sec.	156	6.0Sec.
137	7.0Sec.	157	7.0Sec.
138	8.0Sec.	158	8.0Sec.
139	9.0Sec.	159	9.0Sec.
140	10Sec.	160	10Sec.

# ERROR CODES

Error Codes subject to change without notice	
ERROR CODE	DESCRIPTION
CPU-B Error	CPU-B Error
CPU-C Error	CPU-C Error
Pan: Reset Error	Pan Reset Error
Pan: Encoder Error	Pan Encoder Error
Tilt: Reset Error	Tilt Reset Error
Tilt: Encoder Error	Tilt: Encoder Error
LED Temp. Error	LED temperature error
LED Temp. Too High	LED temperature too high
LEDFan1 Can't Start	LEDFan1 cannot start
LEDFan1 Can't Stop	LEDFan1 cannot stop
LEDFan1 Too Slow	LEDFan1 is running to slow
LEDFan1 Too Fast	LEDFan1 is running to fast
LEDFan2 Can't Start	LEDFan2 cannot start
LEDFan2 Can't Stop	LEDFan2 cannot stop
LEDFan2 Too Slow	LEDFan2 is running to slow
LEDFan2 Too Fast	LEDFan2 is running to fast
LEDFan3 Can't Start	LEDFan3 cannot start
LEDFan3 Can't Stop	LEDFan3 cannot stop
LEDFan3 Too Slow	LEDFan3 is running to slow
LEDFan3 Too Fast	LEDFan3 is running to fast
HeadFan Can't Start	HeadFan cannot start
HeadFan Can't Stop	HeadFan cannot stop
HeadFan Too Slow	HeadFan too slow
HeadFan Too Fast	HeadFan too fast
BaseFan1 Can't Start	BaseFan1 cannot start
BaseFan1 Can't Stop	BaseFan1 cannot stop
BaseFan1 Too Slow	BaseFan1 too slow
BaseFan1 Too Fast	BaseFan1 too fast
BaseFan2 Can't Start	BaseFan2 cannot start
BaseFan2 Can't Stop	BaseFan2 cannot stop
BaseFan2 Too Slow	BaseFan2 too slow
BaseFan2 Too Fast	BaseFan2 too fast

# SPECIFICATIONS

## Light Source:

- 37x 20W RGBW (4-IN-1 - Red, Green Blue & White) Osram LEDs
- 20,000 Hour Average LED Life
- LUX @ 5M: 15000 lux @ 10-degrees; 1100 lux @ 60-degrees

## Effects:

- 11-zone Ring Control with Color Macros
- Variable Strobe & Pulse effects

## Connections:

- Locking power In/Out to daisy chain power
- 3-pin and 5-pin DMX connections for data linking
- RDM (Remote Device Management)
- USB Input for Updating Fixture Firmware

## Control:

- Motorized Linear Zoom: 10 ~ 60-degrees
- 4-button Touch Control Panel with Large LED Screen
- Control: DMX-512 & RDM (Remote Device Management)
- Multiple DMX Channel Modes
- Dim Modes: 6 Presets (Standard, Stage, TV, Architectural, Theatre & Stage 2)
- Dim Curves: 4 Presets (Square, Linear, Inv. Square, S. Curve)
- Dim Speed control (0.1~10 Seconds)
- Dimming: 0 - 100%
- Strobe & pulse control
- Various Strobe speeds (1-40Hz)
- 16-bit fine zoom control
- 16-bit fine pan control
- 16-bit fine tilt control
- Color display with touch button on two sides
- With Wired Digital Communication Network

## Electrical:

- Input Voltage: 100-240V 50Hz/60Hz (Auto Sensing)
- Power Draw: 525W, 4.375A @ 120V or 700W 3A @ 230V

## Dimensions/Weight:

- Dimensions (LxWxH): 16.1" x8.9" x 20.5" / 408.4x226x520.3mm
- Weight: 40 lbs. / 18 kg.

## Included in box:

- Locking power cord
- Two (2) Omega brackets for truss mounting

## Ratings / Approval

- cETLus Approved (Control # 4000358)

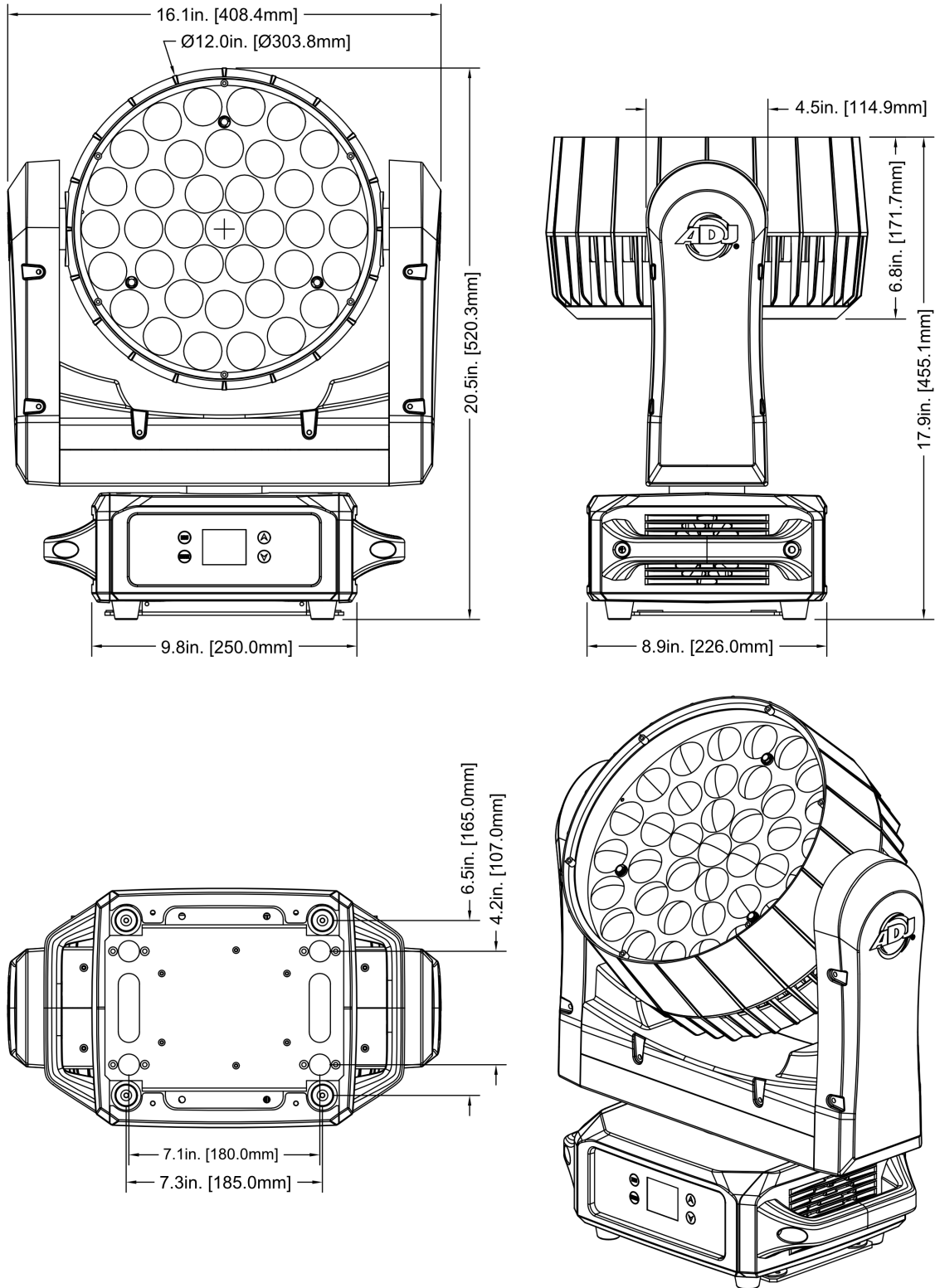
Specifications and documentation subject to change without notice.





# DIMENSIONS

\*DRAWINGS NOT TO SCALE. DIMENSIONS FOR INFORMATION ONLY AND SUBJECT TO CHANGE WITHOUT NOTICE.



## **FCC STATEMENT**

This device complies with Part 15 of the FCC Rules. Operation is subject to the following two conditions: (1) this device may not cause harmful interference, and (2) this device must accept any interference received, including interference that may cause undesired operation.

## **FCC RADIO FREQUENCY INTERFERENCE WARNINGS & INSTRUCTIONS**

This product has been tested and found to comply with the limits as per Part 15 of the FCC Rules. These limits are designed to provide reasonable protection against harmful interference in a residential installation. This device uses and can radiate radio frequency energy and, if not installed and used in accordance with the included instructions, may cause harmful interference to radio communications. However, there is no guarantee that interference will not occur in a particular installation. If this device does cause harmful interference to radio or television reception, which can be determined by turning the device off and on, the user is encouraged to try to correct the interference by one or more of the following methods:

- Reorient or relocate the device.
- Increase the separation between the device and the receiver.
- Connect the device to an electrical outlet on a circuit different from which the radio receiver is connected.
- Consult the dealer or an experienced radio/TV technician for help.

## **Energy Saving Matters (EuP 2009/125/EC)**

Saving electric energy is a key to help protecting the environment. Please turn off all electrical products when they are not in use. To avoid power consumption in idle mode, disconnect all electrical equipment from power when not in use. Thank you!



